

holding system



MG10503

DG10503

NF10403

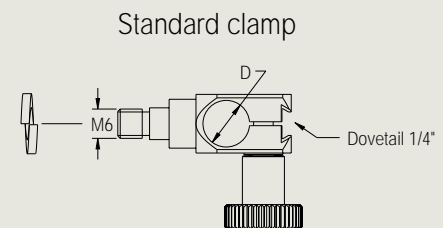
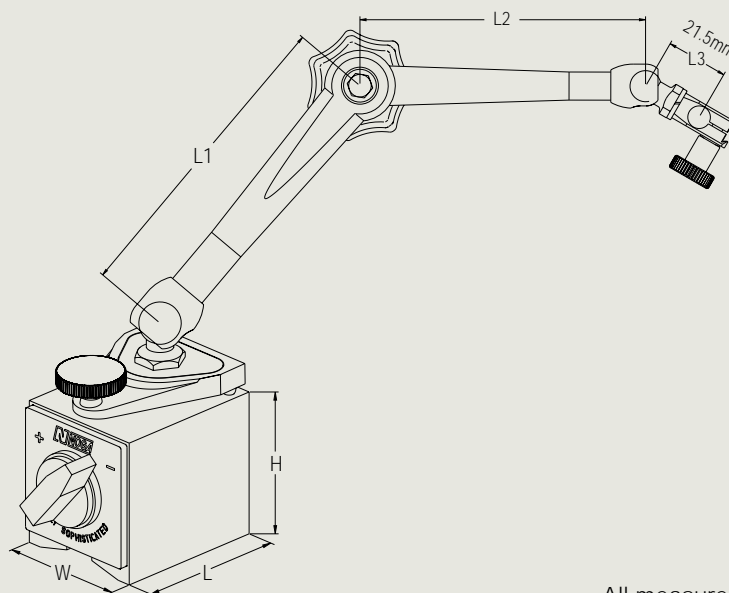


ARTICULATED HOLDERS FAB

NOGA articulated holders with fine adjustment at base

NOGA has developed a unique fine adjustment mechanism which is placed on the magnetic base. This mechanism allows the hand to rest on the base rather than on the clamp of the indicator. Zero-setting becomes faster than with any other mechanism.

- Unique single direction fine adjustment at base.
- Powerful on/off magnetic base.
- Holds 8mm or 3/8" and dovetail.
- Central locking mechanism with NOGA designed spring loaded bearing.
- Five axis holder.
- Instant fixation in any position.
- Easy to set up gauges into required position.
- Black finished arms.



Cat. no. FA1100 Dia 8mm and Cat. no. FA1120 Dia 3/8"

All measurements are in mm unless otherwise mentioned.

Holder		Standard clamp		Arm length			Magnet			
Order no.	Weight	Standard clamp	Order no.	Bottom arm	Top arm	Total	Force	Dimension		
	[Kg]	D		L1	L2	L1 + L2 + L3	[N]	W	L	H
NF10403	0.520	8	FA1100	56	51	128.5	320	30	40	35
NF10433	0.520	3/8"	FA1120	56	51	128.5	320	30	40	35
DG10503	1.400	8	FA1100	110	101	232.5	800	50	60	55
DG10533	1.400	3/8"	FA1120	110	101	232.5	800	50	60	55
MG10503	1.900	8	FA1100	133	113	267.5	800	50	60	55
MG10533	1.900	3/8"	FA1120	133	113	267.5	800	50	60	55