

holding system

MG6150 Heavy duty holder set

Includes:
MG61003
DG1000



DG6150 Standard holder set

Includes:
DG61003
DG1000



NF6150 Mini holder set

Includes:
NF61003
NF1000 Indicator



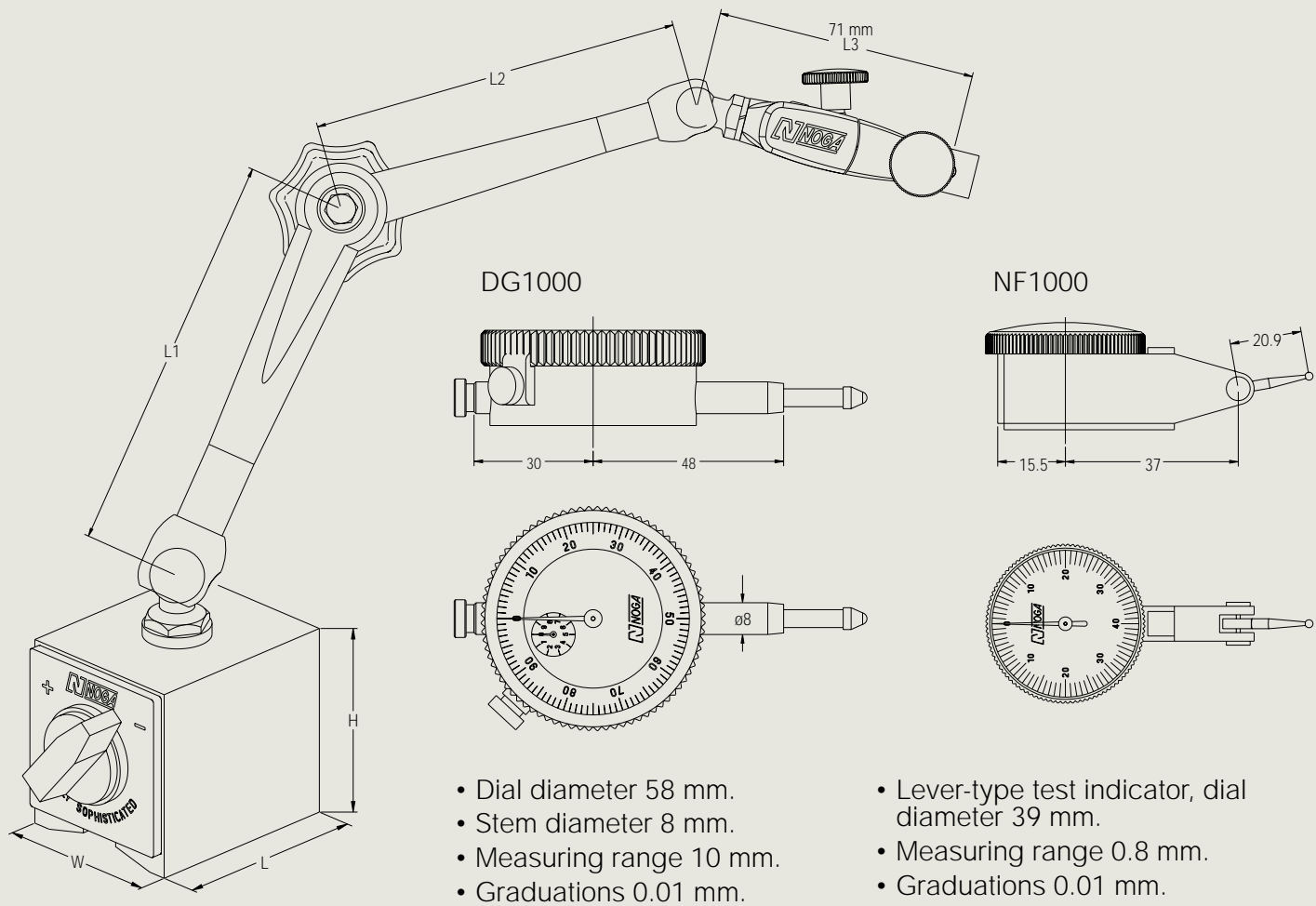
NF1036 Centering set

Includes:
NF1022
NF1000 Indicator



SETS&INDICATORS

NOGA offers four sets combining the most popular holders with the world's best made indicators.



- Dial diameter 58 mm.
- Stem diameter 8 mm.
- Measuring range 10 mm.
- Graduations 0.01 mm.

- Lever-type test indicator, dial diameter 39 mm.
- Measuring range 0.8 mm.
- Graduations 0.01 mm.
- Contact point 2 mm dia., 20.9 mm length.
- Three dovetails for clamping.

All measurements are in mm unless otherwise mentioned.

Order no.	Holder		Arm length			Indicators Order no.	Magnet Dimension		
	Bottom thread D	Weight [Kg]	Bottom arm L1	Top arm L2	Total L1 + L2 + L3		W	L	H
NF6150	Ext. M5	0.600	56	51	178	NF1000	30	40	35
NF1036	-	0.360	56	51	178	NF1000	-	-	-
DG6150	Ext. M8	1.600	110	101	282	DG1000	50	60	55
MG6150	Ext. M8	2.100	133	113	317	DG1000	50	60	55