

DATA
OUTPUT

WATERPROOF

WATERPROOF DIGITAL INDICATOR



2115-10

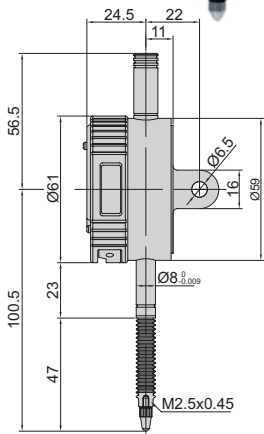


2115-25

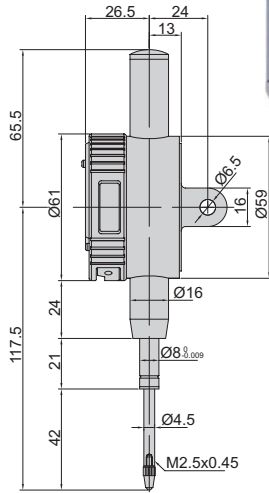


2115-50

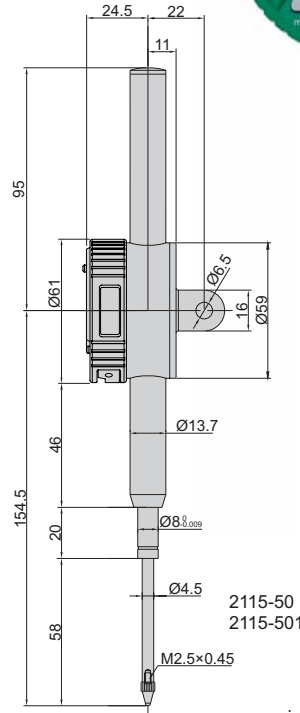
Unit: mm



2115-10
2115-101



2115-25
2115-251



2115-50
2115-501

Resolution 0.001mm/0.00005"

| Code | Range | Dust/waterproof | Accuracy | Hysteresis | Remark |
|------------|-------------|-----------------|----------|------------|-----------|
| 2115-101* | 12.7mm/0.5" | IP65 | 5µm | 2µm | lug back |
| 2115-251* | 25.4mm/1" | IP54 | 5µm | 3µm | lug back |
| 2115-501* | 50.8mm/2" | IP54 | 6µm | 3µm | lug back |
| 2115-101F* | 12.7mm/0.5" | IP65 | 5µm | 2µm | flat back |
| 2115-251F* | 25.4mm/1" | IP54 | 5µm | 3µm | flat back |
| 2115-501F* | 50.8mm/2" | IP54 | 6µm | 3µm | flat back |

Resolution 0.01mm/0.0005"

| Code | Range | Dust/waterproof | Accuracy | Hysteresis | Remark |
|-----------|-------------|-----------------|----------|------------|-----------|
| 2115-10* | 12.7mm/0.5" | IP65 | 20µm | 10µm | lug back |
| 2115-25* | 25.4mm/1" | IP54 | 20µm | 10µm | lug back |
| 2115-50* | 50.8mm/2" | IP54 | 30µm | 10µm | lug back |
| 2115-10F* | 12.7mm/0.5" | IP65 | 20µm | 10µm | flat back |
| 2115-25F* | 25.4mm/1" | IP54 | 20µm | 10µm | flat back |
| 2115-50F* | 50.8mm/2" | IP54 | 30µm | 10µm | flat back |

* Supplied with manufacturer inspection certificate

spindle lift knob is included
(except 2115-101/101F, 2115-10/10F)



- Dust/waterproof
- Button function: on/off, zero, mm/inch
- CR2032 battery, automatic power off
- Data output
- Optional accessory: data output system (code 7306-40, 7302-SPC3A, 7305-SPC1A), backs (page 125), contact points (page 121-124)