

STEP AND GAP GAGE

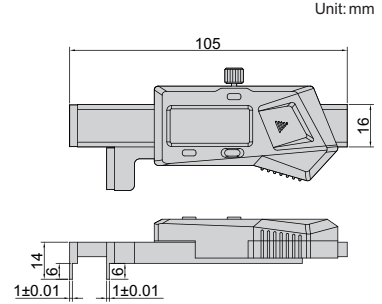


front



back

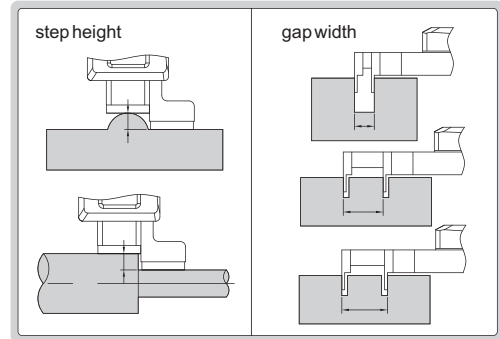
DATA
OUTPUT



2168-12

- Measure step height and gap width
- Resolution: 0.01mm/0.0005"
- Buttons: on/off, zero, mm/inch
- Automatic power off, move the digital unit to turn on power
- Battery CR2032
- Data output
- Made of stainless steel
- Supplied with zero setting block
- Optional accessory: data output system

zero setting block



Code	Range	Accuracy
2168-12	0-12.7mm/0-0.5"	±0.03mm