

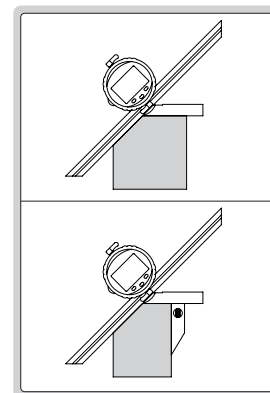
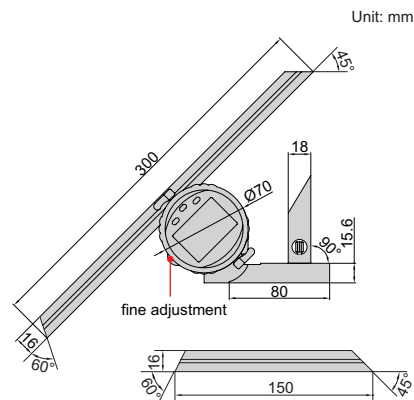
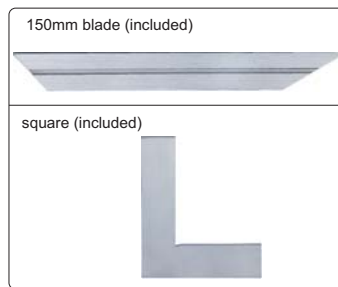
# DIGITAL PROTRACTOR

DATA  
OUTPUT



2172-360A

- Display in degree (for example  $32.655^\circ$ ) and degree/minute/second (for example  $32^\circ 39' 30''$ )
- SET button: preset the reading, change measuring direction
- MODE button: choose 0-90°, 0-180° or 0-360° display
- ZERO/ON/OFF button: zero and power on/off
- Battery CR2032, automatic power off
- Data output
- Supplied with square to set 90°
- Made of stainless steel
- Optional accessory: data output cable (code 7305-SPC1A)



Code	Range	Resolution	Accuracy
2172-360A	0-360°	10"/0.005°	±5'