

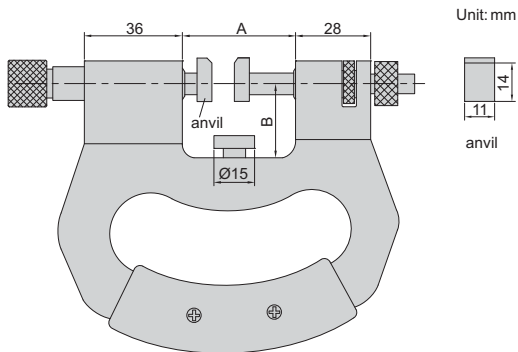
## DIAL SNAP GAGE

NOT SUITABLE FOR  
0.001MM INDICATORS



dial indicator is  
not included

2185-25W



- For quick Go/No-Go judgment of diameter of cylinders and shafts
- Anvil retracting stroke: 3mm
- Measuring force: 6-9N
- Carbide measuring faces
- Front edges of anvils are chamfered for easy workpiece insertion
- Optional accessory:  
dial indicators (graduation 0.01mm),  
digital indicators (resolution 0.01mm/0.0005")

(mm)

Code	Range	A	B
2185-25W	0-25mm	42	20
2185-50W	25-50mm	69	32.5
2185-75W	50-75mm	94	45
2185-100W	75-100mm	119	57.5
2185-125W	100-125mm	144	70
2185-150W	125-150mm	169	82.5
2185-175W	150-175mm	194	95
2185-200W	175-200mm	219	107
2185-225W	200-225mm	244	120
2185-250W	225-250mm	269	132
2185-275W	250-275mm	294	145
2185-300W	275-300mm	319	157