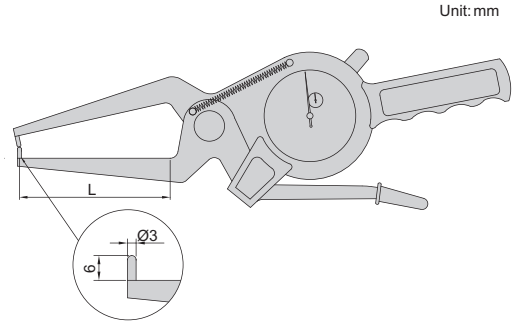


## EXTERNAL DIAL CALIPER GAGE



2332-20



Code	Range	Graduation	Accuracy	L (mm)
2332-20	0-20mm	0.01mm	$\pm 0.04$ mm	60
2332-40	20-40mm	0.01mm	$\pm 0.04$ mm	60
2332-60	40-60mm	0.01mm	$\pm 0.04$ mm	55
2332-80	60-80mm	0.01mm	$\pm 0.04$ mm	55
2332-100	80-100mm	0.01mm	$\pm 0.04$ mm	55

