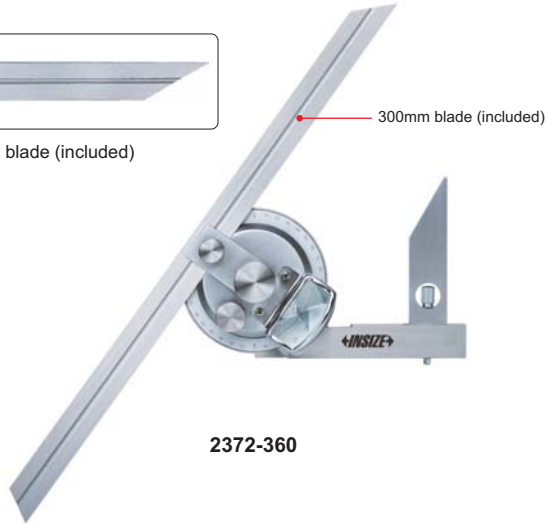


UNIVERSAL PROTRACTOR



150mm blade (included)

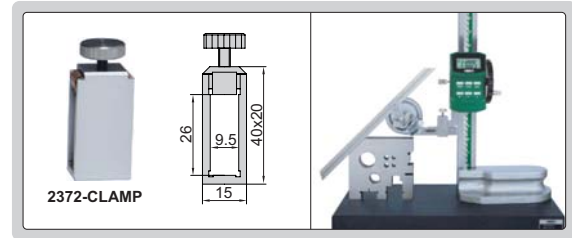


2372-360

- Parallax-free reading
- Made of stainless steel
- Optional accessory: clamp (code **2372-CLAMP**), suitable for height gages **1156**, **1351** and **1250**

Code	Range	Graduation	Accuracy
2372-360	0-360°	5'	±5'

clamp for height gages



2372-CLAMP

