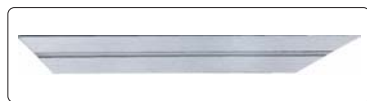
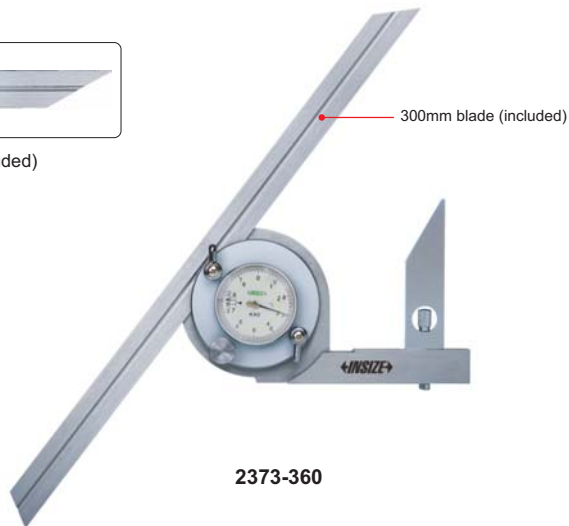


DIAL PROTRACTOR



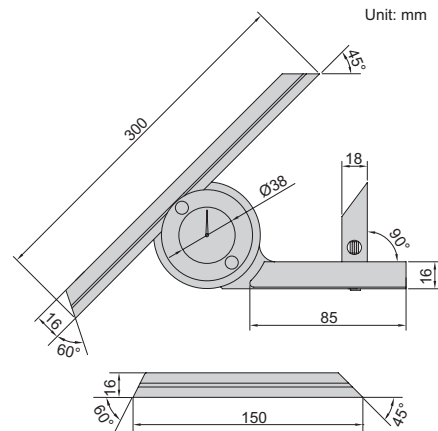
150mm blade (included)



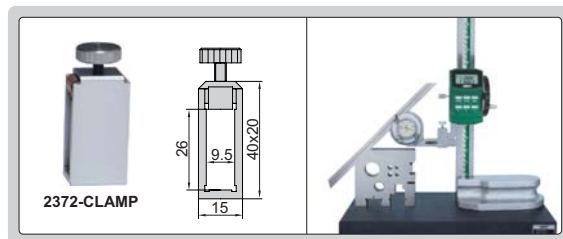
2373-360

- Made of stainless steel
- Optional accessory: clamp (code 2372-CLAMP), suitable for height gages 1156, 1351 and 1250

Code	Range	Graduation	Accuracy
2373-360	0-360°	5'	±5'



clamp for height gages



2372-CLAMP