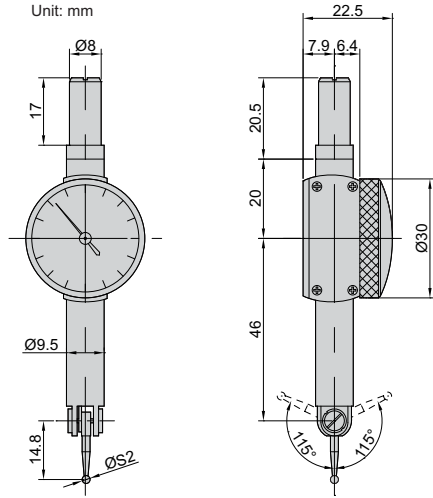


ROUND BODY DIAL TEST INDICATOR



- Jeweled bearing
- Carbide contact point
- Adjustable two measuring directions
- Anti magnetic body
- Supplied with two clamps: diameter Ø4mm and Ø8mm
- Optional accessory: styli (page 138)

Code	Range	Graduation	Accuracy	Hysteresis	Dial reading
2391-08 *	0.8mm	0.01mm	13µm	3µm	0-40-0

* Supplied with manufacturer calibration certificate



2391-08

JEWELLED
BEARING

clamps

