

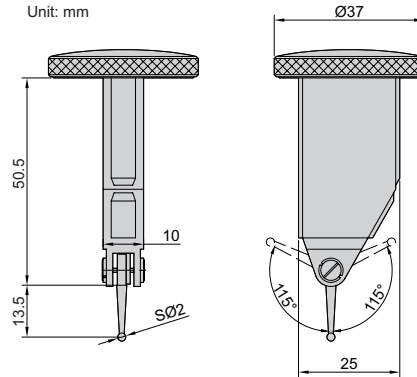


BACK PLUNGER TYPE DIAL TEST INDICATOR



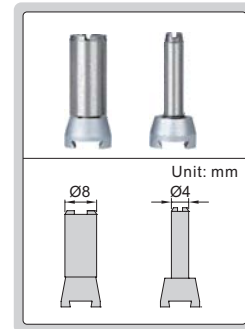
2398-08

- Jeweled bearing
- Carbide contact point
- Two measuring directions
- Anti magnetic body
- Supplied with two clamps: diameter Ø4mm and Ø8mm
- Optional accessory: styli (page 138)



JEWELLED BEARING

clamps



Code	Range	Graduation	Accuracy	Hysteresis	Dial Reading
2398-08*	0.8mm	0.01mm	13µm	3µm	0-40-0

* Supplied with manufacturer inspection certificate traceable to NIST USA