

PRECISION DIAL INDICATOR

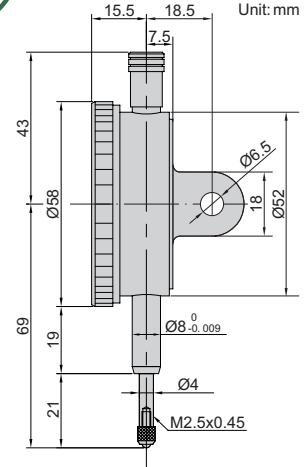
JEWELLED BEARING

SHOCK PROOF



2830-1

- Shockproof
- Jeweled bearing
- With limit pointers
- Optional accessory: backs (page 132), contact points (page 128~131)



Code	Range	Graduation	Accuracy	Hysteresis	Range/rev	Dial reading	Remark
2830-1*	1mm	0.001mm	4µm	2µm	0.2mm	0-100-0	lug back
2830-1F*	1mm	0.001mm	4µm	2µm	0.2mm	0-100-0	flat back

* Supplied with manufacturer inspection certificate