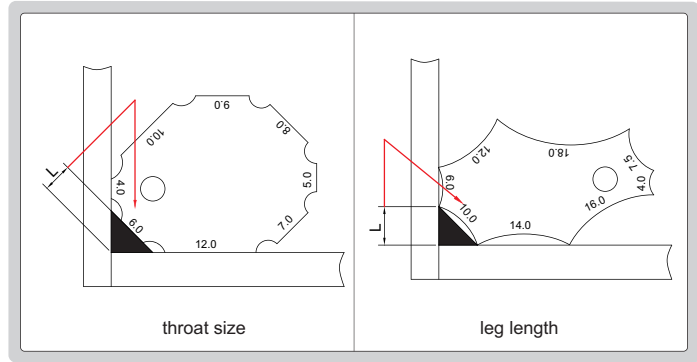


FILLET WELD GAGE



4832-1

- Made of stainless steel
- Sizes marked on both faces



Code	Throat size (mm)	Leg length (mm)	Accuracy
4832-1	4, 5, 6, 7, 8, 9, 10, 12	4, 6, 7.5, 10, 12, 14, 16, 18	±0.5mm

