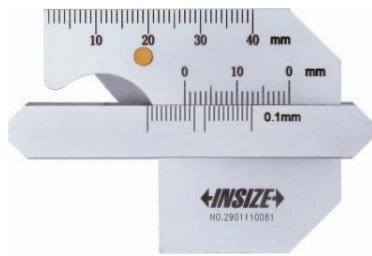


WELDING GAGE

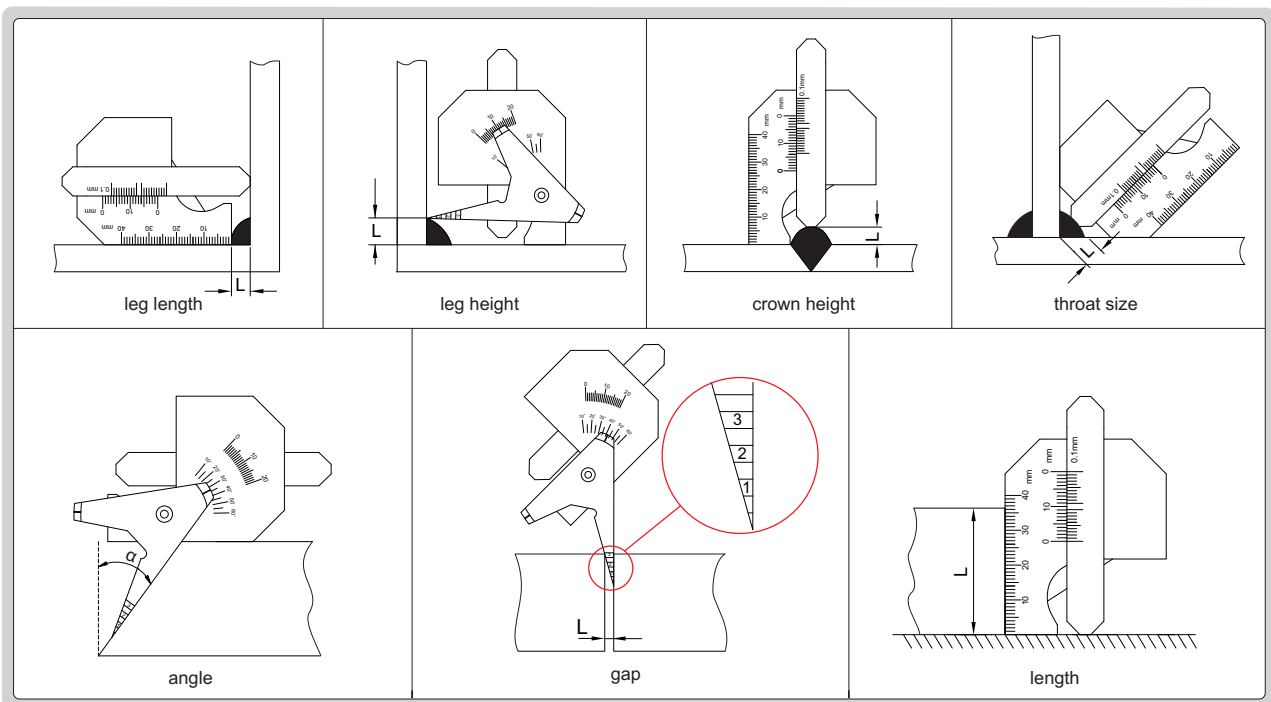


front



back

6832-1



- Made of stainless steel
- Stain chrome plated surface

Code	Measurement	Range	Graduation	Accuracy
6832-1	leg length	0 - 10mm	0.1mm	±0.1mm
	leg height	0 - 20mm	1mm	±0.5mm
	crown height	0 - 10mm	0.1mm	±0.1mm
	throat size	0 - 10mm	0.1mm	±0.1mm
	angle	0° - 60°	5°	±1°
	gap	1 - 3.5mm	0.5mm	±0.5mm
	length	0 - 40mm	1mm	±0.5mm

