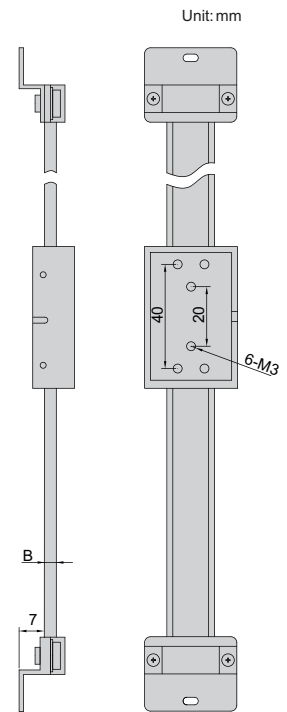
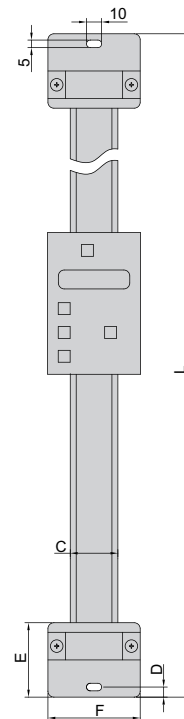


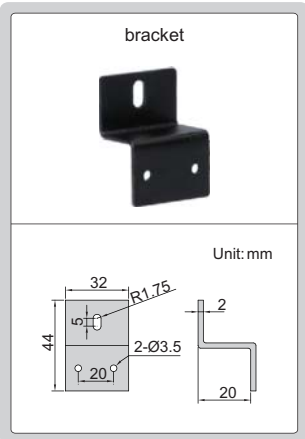
# DIGITAL VERTICAL SCALE



7102-300



- Resolution: 0.01mm/0.0005"
- Buttons: on/off, zero set, mm/in, data set
- Battery SR44 or LR44
- Made of stainless steel
- Supplied with bracket to be mounted on the back



Code	Range	Accuracy	B	C	D	E	F	L
7102-100	100mm	±0.02mm	4	20	6	24	40	245
7102-150	150mm	±0.03mm	4	20	6	24	40	296
7102-200	200mm	±0.03mm	4	20	6	24	40	345
7102-300	300mm	±0.04mm	4	20	6	24	40	445
7102-400	400mm	±0.05mm	4	20	6	24	40	545
7102-500	500mm	±0.05mm	5.5	24	8	32	45	685
7102-600	600mm	±0.08mm	5.5	24	8	32	45	785
7102-800	800mm	±0.10mm	5.5	24	8	32	45	985
7102-1000	1000mm	±0.10mm	5.5	24	8	32	45	1185