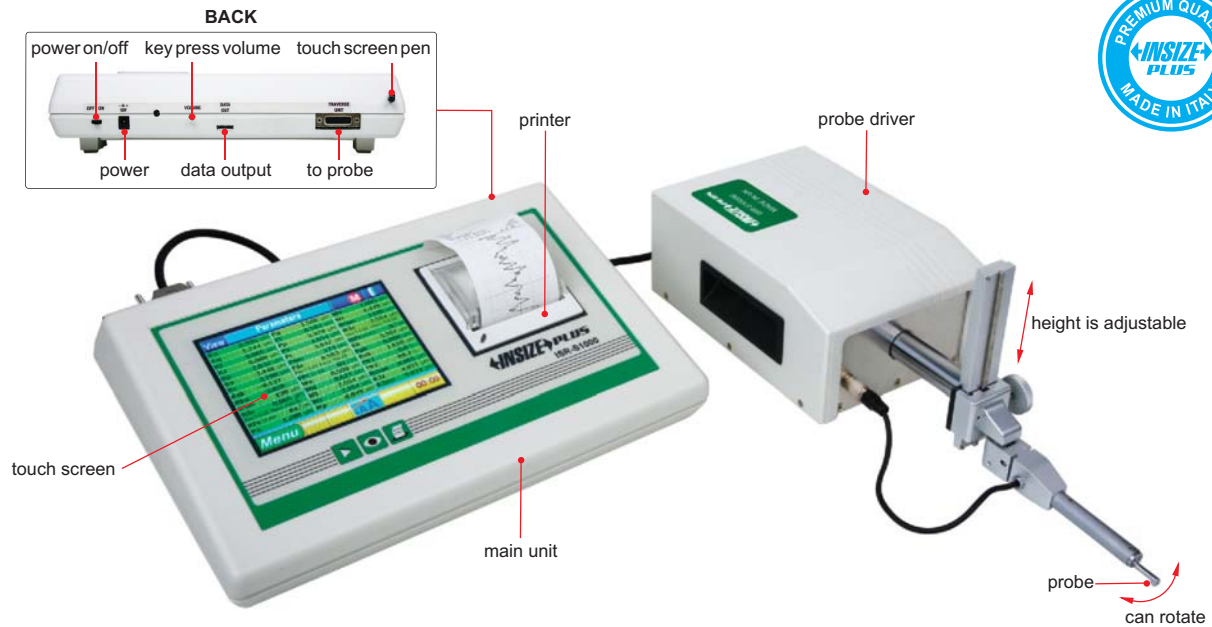


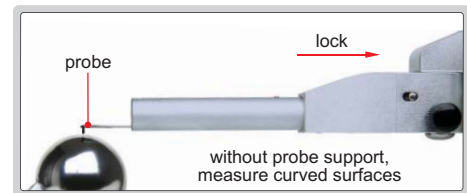
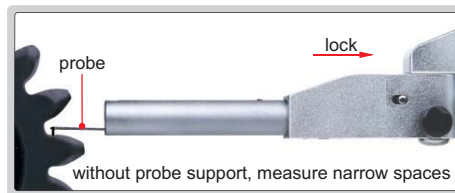
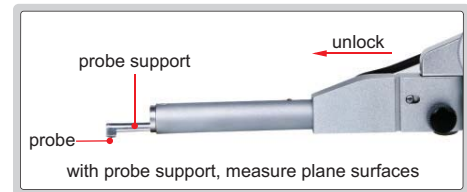
SURFACE ROUGHNESS TESTER CODE ISR-S1000B

CAN MEASURE WAVINESS AND
CURVED SURFACE WITH RADIUS>5MM

DATA
OUTPUT



- 48 roughness parameters according to ISO-4287, JIS-B0601, ISO-12085, JIS-B0631
- Automatic probe leveling
- Measuring range up to 1000µm, can measure grit and shot blasting
- Traverse length up to 50mm
- The probe can rotate from -90° to +90°
- Color touch screen, display roughness values, profile and curves
- Can print roughness values, profile and curves
- Memory of maximum 1000 results
- Can set tolerance



ROUGHNESS VALUE, PROFILE AND DATA ANALYSIS



measurement result



total profile graph



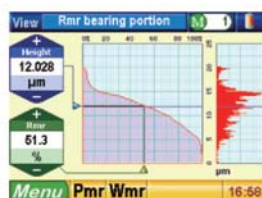
R graph



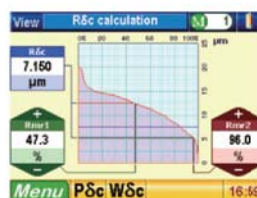
P graph



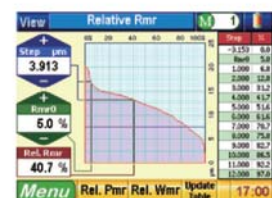
W graph



Rmr, Pmr, Wmr analysis



R&C, P&C, W&C analysis



Rel. Rmr, Rel. Pmr, Rel. Wmr analysis

To be continued

SURFACE ROUGHNESS TESTER CODE ISR-S1000B

SPECIFICATION

Parameters	Ra, Rq, Rt, Rz, Rp, Rv, Rc, Rsk, Rku, RSm, R δ c R δ c, Pa, Pq, Pt, Pp, Pv, Pc, Psm, P δ c, PPc, Wa Wq, Wt, Wz, Wp, Wv, Wc, Wsm, W δ c, WPc, Rk Rpk, Rvk, Mr1, Mr2, Rmax, R3z, R3zm, R, AR Rx, Aw, Rke, Rpk, Rvk, Mr1e, Mr2e	
Range	1000 μ m	
Accuracy	\pm 3%	
Resolution (Ra)	0.001 μ m	
Probe	type	inductive
	stylus radius/angle	5 μ m/90°
	stylus material	diamond
Measuring force	0.75mN	
Measuring unit	μ m/ μ in	
Cut off	0.08/0.25/0.8/2.5/8mm	
Number of cut-offs	1-19 (cut off 0.08/0.25/0.8/2.5mm)	
	1-5 (cut off 8mm)	
Traverse speed	0.5mm/s or 1mm/s	
Memory	1000 measurement results	
Output	USB	
Power	built-in rechargeable battery	
Dimension (LxWxH)	320x210x80mm	
Weight	2.2kg	

STANDARD DELIVERY

Main unit	1pc
Probe driver	1pc
Standard probe	1pc
Calibration block	1pc
AC/DC adapter	1pc

OPTIONAL ACCESSORY

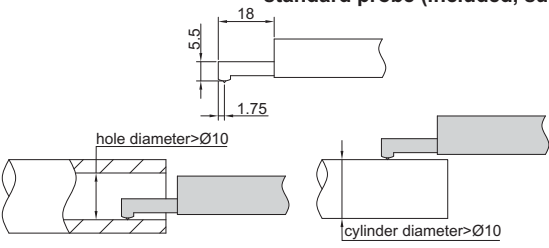
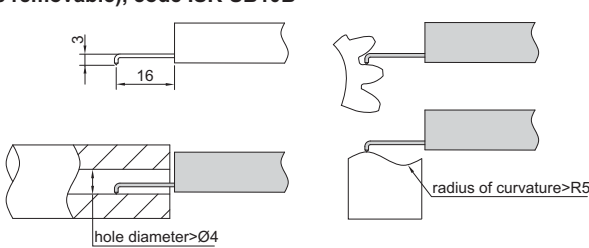
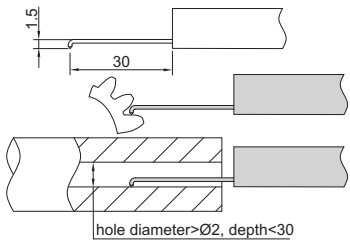
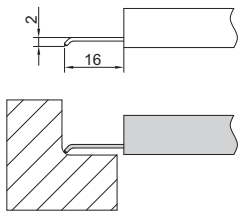
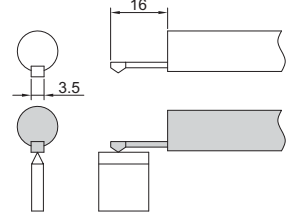
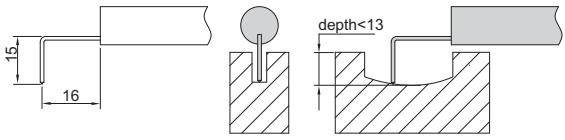
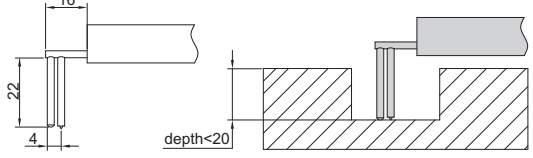
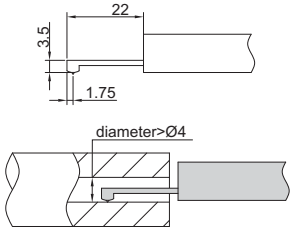
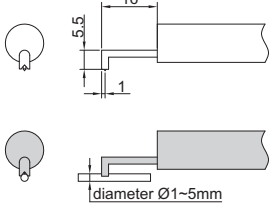
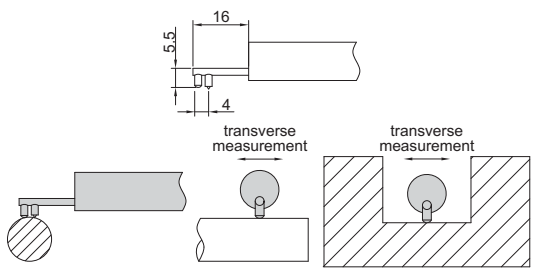
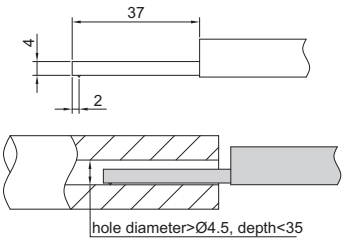
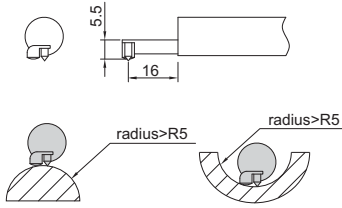
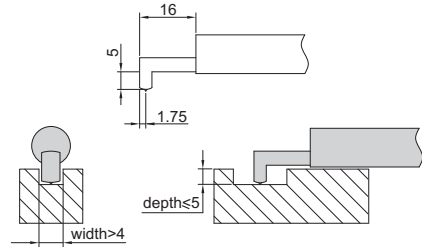
Probe	refer to next page
USB cable and software	ISR-S-SOFTWARE

measuring software (optional)



measuring software (optional), can control the roughness tester, display roughness values, profile and curve, data statistics

SPECIFICATION

<p>standard probe (included, support is removable), code ISR-SB10B</p>  <p>with probe support, measure plane surfaces, holes and cylinders with diameter > Ø10mm</p>  <p>remove probe support, to measure holes with diameter > Ø4mm, can measure curved surfaces, narrow spaces and waviness</p>		
<p>small hole probe (optional), code ISR-SB60B</p>  <p>without probe support, measure holes with diameter > Ø2mm and depth < 30mm, can measure curved surfaces, narrow spaces and waviness</p>	<p>internal angle probe (optional), code ISR-SB70B</p>  <p>without probe support, measure internal angles, can measure curved surfaces, narrow spaces and waviness</p>	<p>knife edge probe (optional), code ISR-SB130B</p>  <p>without probe support, measure knife edges and small rods</p>
<p>deep groove probe (optional), code ISR-SB150B</p>  <p>without probe support, measure curved surfaces and grooves with depth < 13mm, can measure curved surfaces, narrow spaces and waviness</p>		<p>deep groove probe (optional), code ISR-SB120B</p>  <p>measure grooves with depth < 20mm</p>
<p>hole probe (optional), code ISR-SB30B</p>  <p>measure plane surfaces and holes with diameter > Ø4mm and depth < 20mm</p>	<p>small rod probe (optional), code ISR-SB40B</p>  <p>measure small rods with diameter 1-5mm</p>	<p>transverse probe (optional), code ISR-SB50B</p>  <p>transverse measurement for plane surfaces, cylinders and grooves</p>
<p>deep hole probe (optional), code ISR-SB80B</p>  <p>measure holes with diameter > Ø4.5mm and depth < 35mm</p>	<p>cylinder/hole probe (optional), code ISR-SB110B</p>  <p>measure cylinders and holes with radius > R5mm</p>	<p>groove probe (optional), code ISR-SB20B</p>  <p>measure plane surfaces and grooves</p>