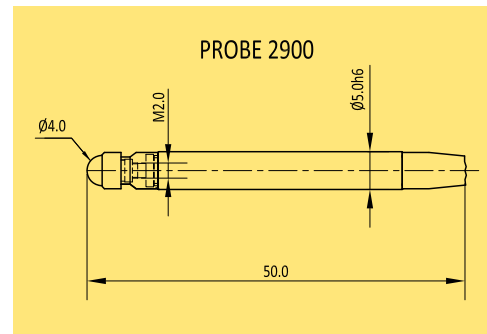
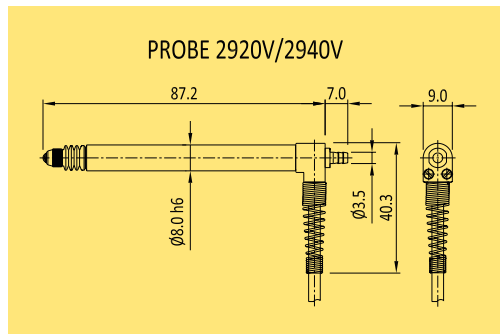
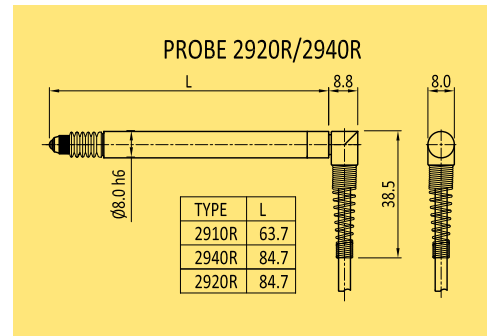
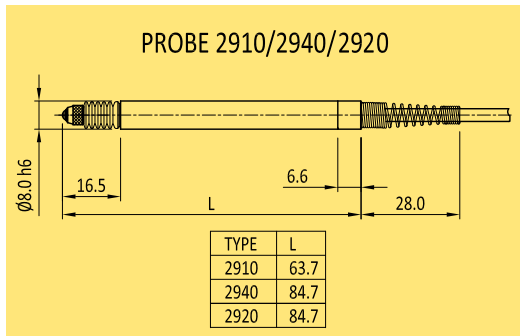


# Electronic Probe



## PROBE



## SPECIFICATION & FEATURES

Specifications	2920 / 2920R	2940 / 2940R	2920V / 2940V (Vacuum Lift)	2910/2910R	2900
Measuring Travel	± 1 mm	± 2 mm	± 2 mm (± 1 mm for 2920V)	± 1 mm	± 0.4 mm
Total Travel	3 mm	4.5 mm	4.5 mm (3 mm for 2920V)	2.25 mm	1 mm
Linearity	±0.3%	± 0.3%	± 0.3%	± 0.3% (of total measuring range)	± 0.5% (of total measuring range)
Repeatability	0.02 μm	0.02 μm	0.02 μm	0.02 μm	0.15 μm
Measuring force	0.6 N	0.6 N	0.45 to 0.75 N	0.6 N	0.8 N
Pre-travel	Variable	Variable	Variable	Variable	Fixed
Application	Universal	Universal	Vacuum Lift	Universal	Universal
Environmental Protection (IEC 529)	IP 64	IP 64	IP 66	IP 64	IP 64
Plunger guide	Pre-loaded, caged linear ball bearing	Pre-loaded, caged linear ball bearing	Pre-loaded, caged linear ball bearing	Preloaded, caged linear ball bearing	Preloaded, caged linear ball bearing
Cable	2 m (Axial) Polyurethane	2 m (Axial) Polyurethane	2 m (Axial) Polyurethane	2 m., Polyurethane.	2 m., Polyurethane.
Cable support spring	Present	Present	Present	Present	N.A.
Connecting adaptor	5-pin, Male DIN plug (240°)	5-pin, Male DIN plug (240°)	5-pin, Male DIN plug (240°)	5-pin, Male DIN plug (240°)	5-pin, Male DIN plug (240°)
Total Length (with support spring)	112 mm	112 mm	114 mm	87	50
Probe Body	Hardened & ground stainless steel (55HRC) (Diameter 8h6)	Hardened & ground stainless steel (55HRC) (Diameter 8h6)	Hardened & ground stainless steel (55HRC) (Diameter 8h6)	Hardened and ground stainless steel (55HRC); Diameter 8h6	Hardened and ground stainless steel (55HRC); Diameter 5h6
Reference temperature	20 °C	20 °C	20 °C	20°C	20°C
Contact Tip	Tungsten Carbide Ball 3 mm Dia, M2.5 Thread	Tungsten Carbide Ball 3 mm Dia, M2.5 Thread	Tungsten Carbide Ball 3 mm Dia, M2.5 Thread(240°) with screw	Tungsten carbide ball 3 mm Dia, M2.5 Thread.	Tungsten carbide ball 4 mm Dia, M2 Thread.
Sealing bellow	Viton with the metal clips	Viton with the metal clips	Viton	Viton	Viton