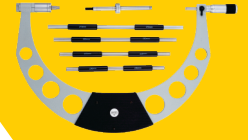
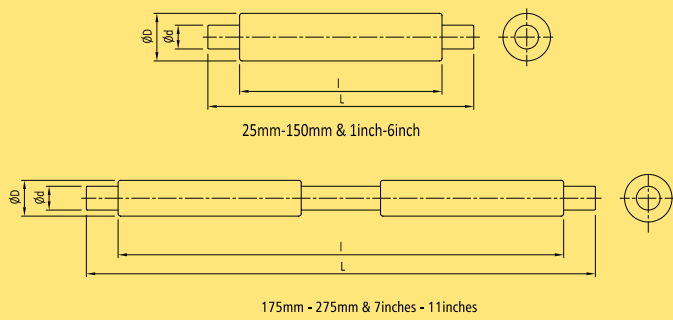


Setting Gauge, Depth Micrometer



FOR EXTERNAL MICROMETER



DEPTH



MMA100-DM

MMA25-DM

METRIC

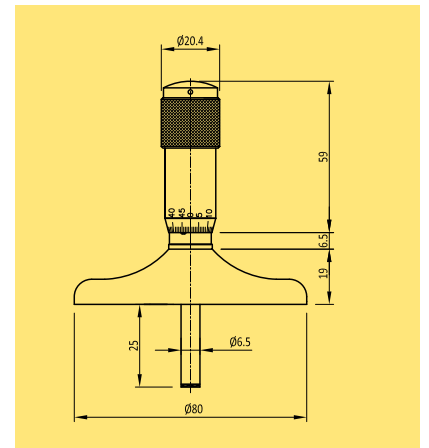
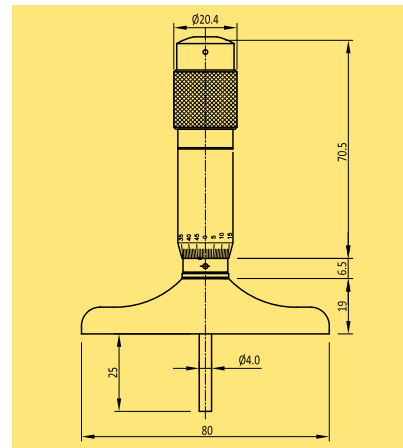
Length (L) mm	Tolerance µm	l mm	Diameter (Ød) mm	Diameter (ØD) mm
25	± 1.5	20	7	11
50	± 2.0	40	7	11
75	± 2.5	40	7	11
100	± 3.0	60	8	12
125	± 3.5	60	8	12
150	± 4.0	60	8	12
175	± 4.5	135	8	12
200	± 5.0	160	8	12
225	± 5.5	160	8	12
250	± 6.0	180	8	12
275	± 6.5	195	8	12

INCH

Length (L) inch	Tolerance inch	l inch	Diameter (Ød) inch	Diameter (ØD) inch
1"	± 0.00005"	0.79"	0.27"	0.43"
2"	± 0.0001"	1.65"	0.27"	0.43"
3"	± 0.0001"	1.65"	0.27"	0.43"
4"	± 0.0001"	2.45"	0.31"	0.47"
5"	± 0.00015"	2.45"	0.31"	0.47"
6"	± 0.00015"	2.45"	0.31"	0.47"
7"	± 0.00015"	5.31"	0.31"	0.47"
8"	± 0.00015"	6.31"	0.31"	0.47"
9"	± 0.0002"	6.31"	0.31"	0.47"
10"	± 0.0002"	7.15"	0.31"	0.47"
11"	± 0.0002"	7.67"	0.31"	0.47"

FEATURES

- Hardened, ground & lapped measuring faces
- Flat type measuring faces
- Measuring faces flatness 0.3 µm



Measuring Range mm	Reading mm	Type	Measuring Range inch	Reading inch	Type
0-25	0.01	MMA25-DM	0-1"	0.001"	INA1-DM
	0.001	MMA25-1DM		0.0001"	INA1-1DM
0-100	0.01	MMA100-DM	0-4"	0.001"	INA4-DM
	0.001	MMA100-1DM		0.0001"	INA4-1DM

FEATURES

- Base –hardened ,ground & lapped
- Spindle made from Stainless Steel for rust prevention
- Measuring Faces –Hardened steel
- An in –built ratchet in the thimble
- Zero setting once done cannot be easily tampered
- Sharp laser marking for better visibility & durability
- Robust design withstands toughest workshop conditions

Application

For Measuring depth of steps, shoulders etc.