

ST3-G/ST3-G-BT

Rotary Peak Torque Meter
with Angle Detection



ST15N3-6.35-G

ST50N3-3/8-G

ST1000N3-G

- World's smallest torque checker with high accuracy
- Compact design with built-in battery suitable for torque check of nutrunners
- Nine models cover overall torque range of 2 to 1000N·m
- Multiple measuring unit selection
- All nine models with Bluetooth® are available
- Hex 6.35mm bit type model added

ST3-G-BT

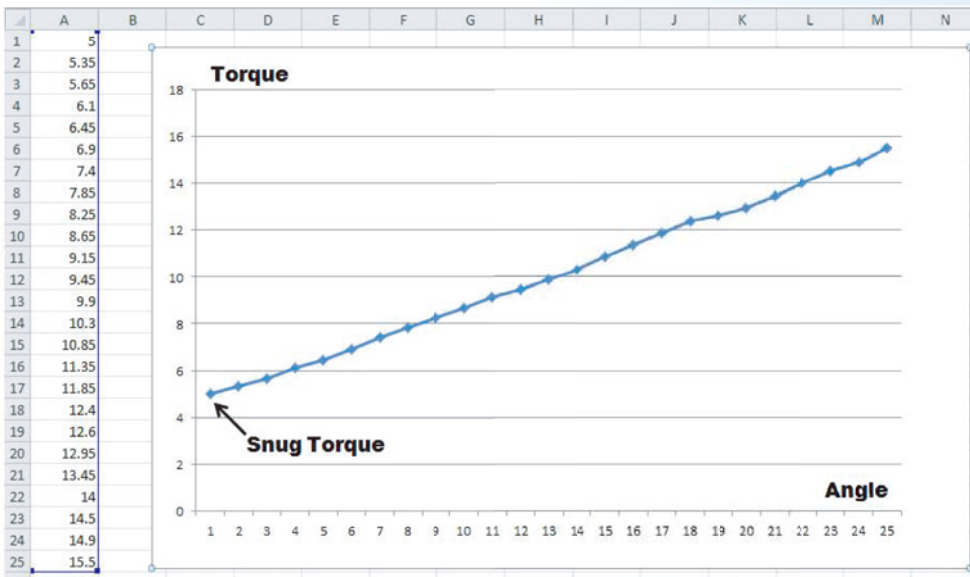


Features

- Store capacity maximum 999 data peak torque and final angle values.
- 2 hours charging enables 10 hours continuous use or 8 hours use when Bluetooth on.
- ST3-G is able to evaluate rotation angle from a point of snug torque.
- ST3-G is applicable for both clock wise and counter clock wise measurement.

Special features for Bluetooth version ST3-G-BT

- ☆ 999 Data Store mode or Data Chart Output mode can be selected.
- ☆ Available to change the snug torque by wireless.



ST3-G-BT

Bluetooth® is registered trademark of Bluetooth SIG Inc.

Data Chart Output Function

- ST3-G-BT outputs torque data every 1 degree of angular rotation from snug torque point.
* Only one result of consecutive torque data can be saved.
- Bluetooth models require the wireless equipment certification of your country.
Please contact Tohnichi for status of the wireless equipment certification acquisition.

Standard accessories

Battery charger, AC Adapter conversion plug, Plug cover, Case, Operating manual, USB Cable (Not available for ST3-G-BT models)

Optional accessories

Extension bar

Part No.	Applicable Model
283	ST10N3-G(-BT)
281	ST20N3-G(-BT)
	ST50N3-3/8-G(-BT)
247	ST50N3-1/2-G(-BT)
	ST100N3-G(-BT)
248	ST200N3-G(-BT)
	ST500N3-G(-BT)
249	ST1000N3-G(-BT)



TCL calibration kit

Model	Applicable Model
TCL50N	ST10N3-G(-BT)
	ST20N3-G(-BT)
	ST50N3-3/8-G(-BT)
	ST50N3-1/2-G(-BT)
TCL200N	ST100N3-G(-BT)
	ST200N3-G(-BT)
TCL800N	ST500N3-G(-BT)
TCL1000N	ST1000N3-G(-BT)

* Length of Extension Bar is same as ST3-G to provide same height.



ST3-G/ST3-G-BT

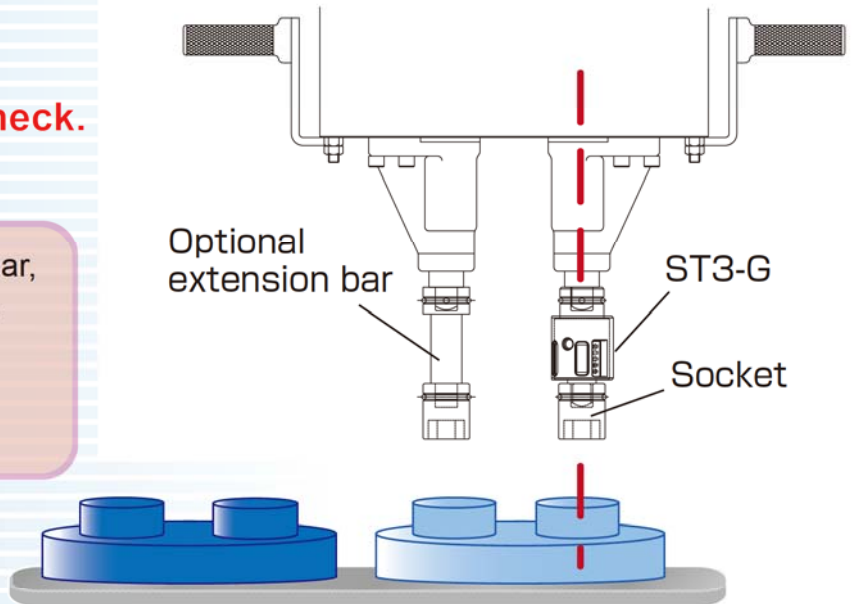
Example

Set up between nutrunner and assemble application.

ST3-G provides daily torque check.

Advantages

- Using ST3-G with optional extension bar, you can check torque while tightening.
- Because battery is built in, there is no difficulty from cable interference.



Transfer data to PC through USB cable

ST3-G

	Torque	Angle	
	A	B	C
1	24	28	
2	22.6	30	
3	22.5	32	
4	18.5	31	
5	18.4	29	

* Free Excel Receiver software available

Various usages



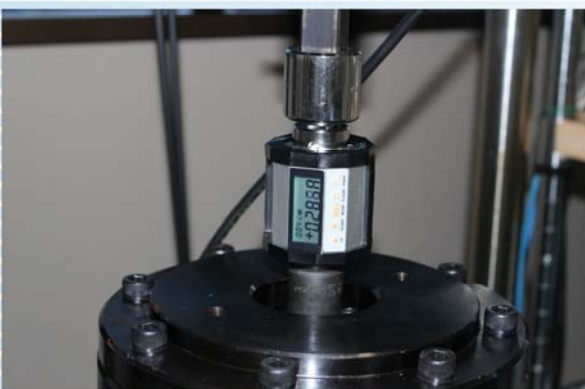
ST1000N3-G with click type torque wrench for wheel tightening



ST100N3-G for handy type nutrunners



ST15N3-6.35-G for bit type nutrunners



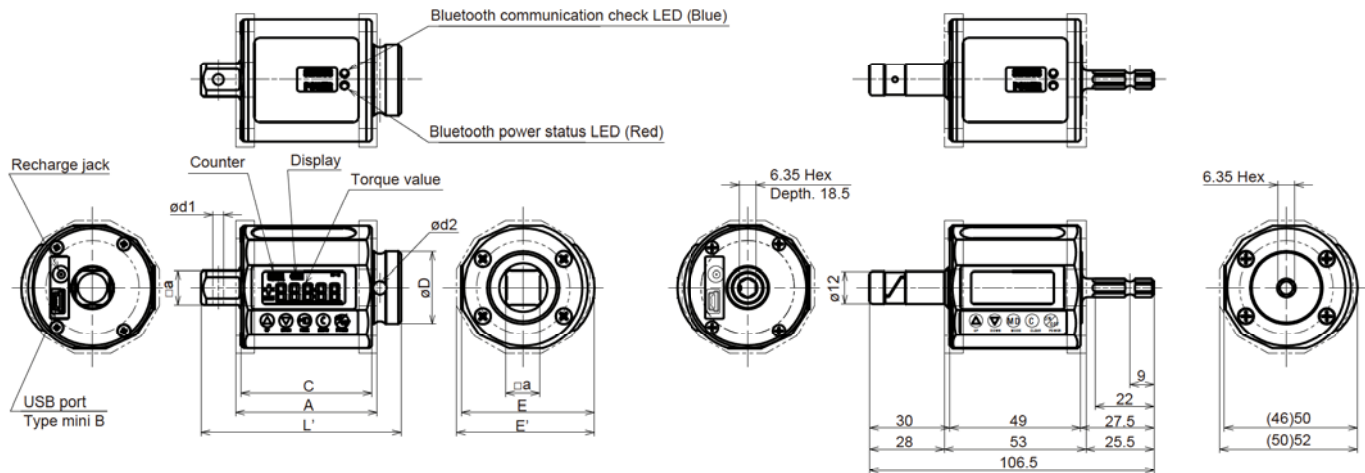
ST200N3-G-BT for multi-spindle nutrunners

Dimensions

■ ST10N3-G(-BT) to 1000N3-G(-BT)

■ ST15N3-6.35-G(-BT)

[mm]



Model	L'	E	C	øD	□a	ød1	ød2	A	E'	[kg]
ST10N3-G(-BT)	75	46 (50)	49	13	6.35	2.1	2.1	53	50 (52)	0.25
ST15N-6.35-3-G(-BT)	106.5			-	-	-	-			
ST20N3-G(-BT)				18	9.53	3.1				
ST50N3-3/8-G(-BT)	75	46 (50)	49	27	12.7	4.1	5	53	50 (52)	0.25
ST50N3-1/2-G(-BT)										
ST100N3-G(-BT)										
ST200N3-G(-BT)										
ST500N3-G(-BT)	125	68.5	73	38	19.05	6	6	78	71	1.3
ST1000N3-G(-BT)	135			51	25.4	6.5	6.5			

Torque Range

Torque Accuracy +/-1%+1digit
Angle Accuracy +/-2%+1digit

Model	N·m			cN·m		kgf·cm		kgf·m		ozf·in		lbf·in		lbf·ft	
	Min. Snug Torque	Min.-Max.	1 digit	Min.-Max.	1 digit	Min.-Max.	1 digit	Min.-Max.	1 digit	Min.-Max.	1 digit	Min.-Max.	1 digit	Min.-Max.	1 digit
ST10N3-G(-BT)	0.50	2-10	0.01	200-1000	1	20-100	0.1	0.2-1	0.001	280-1400	1	17.6-88	0.1	1.5-7.3	0.01
ST15N3-6.35-G(-BT)	1.00	4-15	0.02	400-1500	2	40-150	0.2	0.4-1.5	0.002	560-2100	2	35-132	0.2	3-11	0.02
ST20N3-G(-BT)		4-20		400-2000		40-200		0.4-2		560-2800		3-14.5			
ST50N3-3/8-G(-BT)	2.50	10-50	0.05	1000-5000	5	100-500	0.5	1-5	0.005	1400-7000	5	88-440	0.5	7.5-36.5	0.05
ST50N3-1/2-G(-BT)															
ST100N3-G(-BT)	5.00	20-100	0.1	-	-	200-1000	1	2-10	0.01	-	-	176-880	1	15-73	0.1
ST200N3-G(-BT)	10.00	40-200	0.2	-	-	400-2000	2	4-20	0.02	-	-	350-1750	2	30-145	0.2
ST500N3-G(-BT)	25.00	100-500	0.5	-	-	1000-5000	5	10-50	0.05	-	-	880-4400	5	75-365	0.5
ST1000N3-G(-BT)	50.00	200-1000	1	-	-	-	-	20-100	0.1	-	-	-	-	150-735	1

- Accuracy of snug torque which is below torque measuring range is not guaranteed.
- -BT refers to the model with Bluetooth communication function.
- Do not use ST3-G(-BT) with impact tools.



Product movies are available. Visit Tohnichi TV.
<https://www.youtube.com/channel/UCjJorELcVWgD9rajJULGdFNQ>

TOHNICHI MFG. CO., LTD.
URL <http://tohnichi.jp>
E-mail overseas@tohnichi.co.jp
N.V. TOHNICHI EUROPE S.A.
E-mail tohnichi-europe@tohnichi.co.jp
TOHNICHI AMERICA CORP.
URL <http://www.tohnichi.com>
E-mail inquiry@tohnichi.com
TOHNICHI SHANGHAI MFG. CO., LTD.
URL <http://www.tohnichi-sh.com>
E-mail sales@tohnichi-sh.com



1000.15.10.L