

# Post Holders FAT\*



# \*Fine Adjustment Top



PH6800



PH6600



PH6400

# Post Holders FAT\*

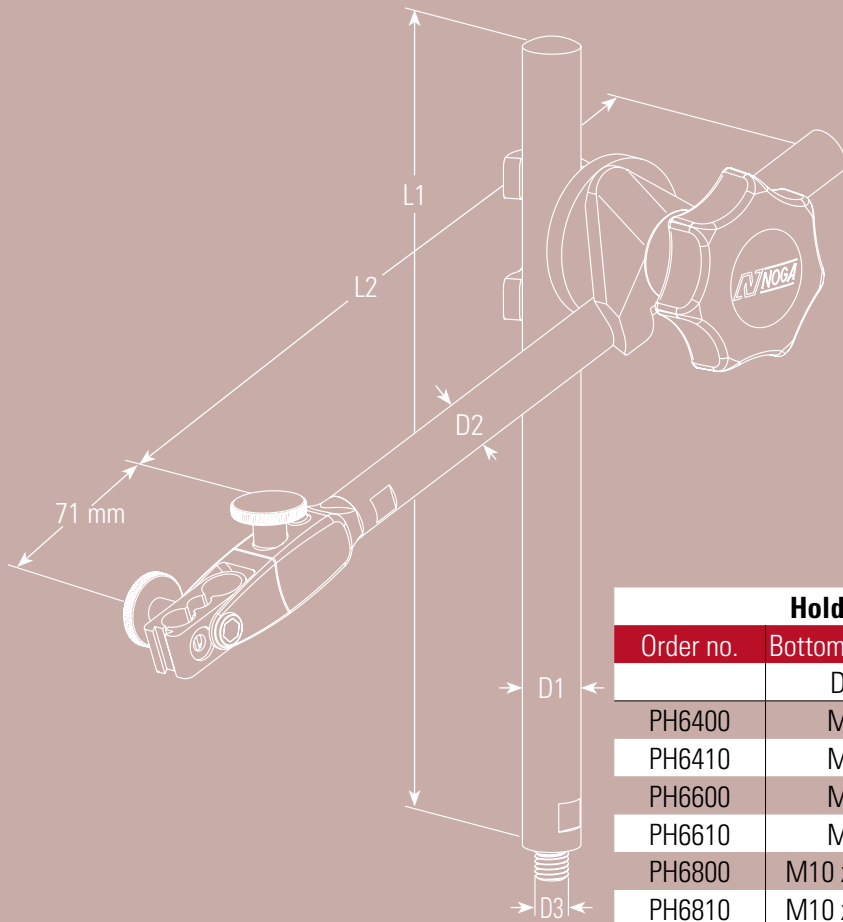
## NOGA economical holders with fine adjustment on top

**NOGA PH** (Post Holder) holders are the latest improvement of the traditional indicator holder.

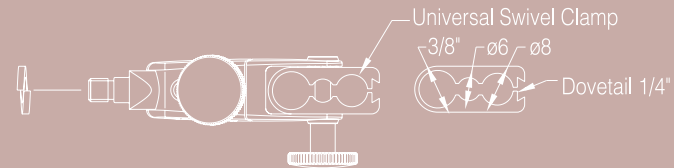
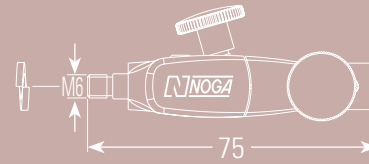
- Fine adjustment on the top with universal swivel clamp.
- Holds 6mm, 8mm, 3/8" and dovetail.
- Powerful on/off magnetic base.
- Strong arm lock by using 3 points clamp.
- Easy to set up gauges into required position.
- Black finished arms.



# \*Fine Adjustment Top

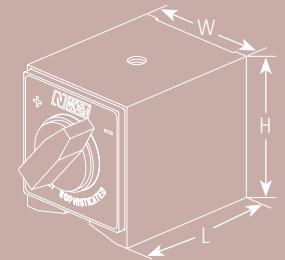


3 points clamp



FA1500

FA1510



Holder			Arm length and diameter		Magnet			3 points clamp	
Order no.	Bottom thread	Weight	Post	Arm	Force	Dimension			Order no.
	D3	[Kg]	Dia. (D1) x length (L1)	Dia. (D2) x length (L2)	[N]	W	L	H	
PH6400	M8	1.700	Ø14 x 203	Ø12 x 185	800	50	60	55	PH0310
PH6410	M8	0.700	Ø14 x 203	Ø12 x 185	-	-	-	-	PH0310
PH6600	M8	2.300	Ø16 x 260	Ø16 x 225	1000	50	75	55	PH0312
PH6610	M8	1.070	Ø16 x 260	Ø16 x 225	-	-	-	-	PH0312
PH6800	M10 x 1.25	3.450	Ø18 x 350	Ø16 x 225	1300	50	120	55	PH0313
PH6810	M10 x 1.25	1.450	Ø18 x 350	Ø16 x 225	-	-	-	-	PH0313

All measurements are in mm unless otherwise mentioned