

# Stand

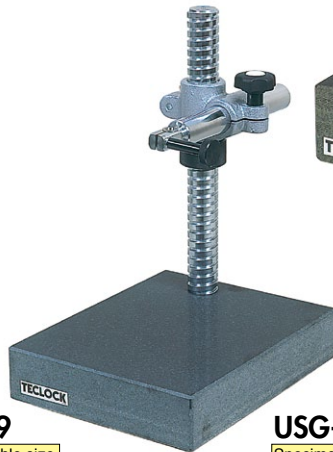
These are stands which can make precision measurement of work piece by mounting Dial Indicator or Digital Indicator. As to natural granite (micro-granite) base, its organization is fine particle and work piece slides smoothly without ringing. Stable and high flatness accuracy within 0.001mm / 200mm square is also characteristics. Please select referring to size of base or fine adjustment device from various lineup.

## Granite Comparator Stand

- Natural micro-granite is used for all granite comparator stands.
- Flatness accuracy : within 0.001mm / 200mm square.
- Sliding smoothly and objects to be measured are not damaged. It is superior for anti-abrasion.
- The rigid granite base is free from burrs and pileups.
- It is easy for maintenance as base never suffers from rust.



**USG-29**  
Specimen table size  
150×200×50mm



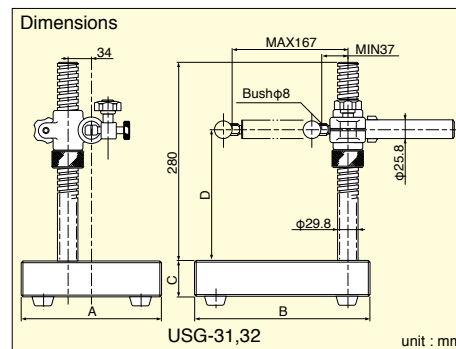
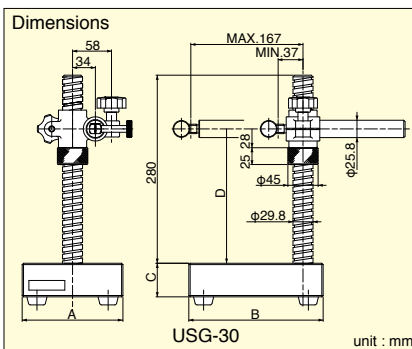
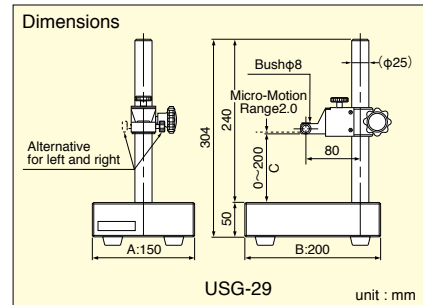
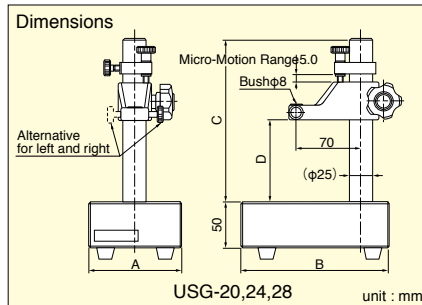
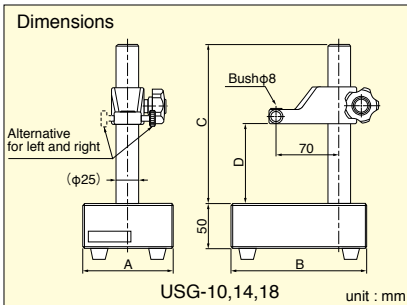
**USG-30**  
Specimen table size  
150×200×50mm



**USG-10**  
Specimen table size  
100×150×50mm



**USG-24**  
Specimen table size  
150×150×50mm

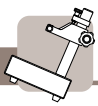


### Specifications

Model	Type	Specimen Table Size (A×B) (mm)	Height of Pole (C) (mm)	Movable Range (D) (mm)	Weight (kg)
USG-10	Standard	100×150	175	0~130	3.5
USG-14	Standard	150×150	175	0~130	4.9
USG-18	Standard	150×200	240	0~200	5.8
USG-20	Fine Adjustment	100×150	175	0~115	3.5
USG-24	Fine Adjustment	150×150	175	0~115	4.9
USG-28	Fine Adjustment	150×200	240	0~180	5.8
USG-29	Precision Fine Adjustment	150×200	240	0~200	6.0

Model	Type	Specimen Table Size (A×B×C) (mm)	Movable Range (D) (mm)	Bush φE (mm)	Weight (kg)
USG-30	Square Screw, Arm Slide	150×200×50	53~250	φ8	7.3
USG-31	Square Screw, Arm Slide	200×250×50	53~250	φ8	10.5
USG-32	Square Screw, Arm Slide	250×250×50	53~250	φ8	12.5

For USG30~32, depending on the measuring device in use, the probe may not contact to the base surface since the effective movable range is 53mm or more. Use an extension rod or the like to extend. Other combinations of specimen table and pole unit than the above chart are also possible. The specimen table is possible to be made up to 500x500mm according to the requested size.



# Upright Stand

- This can be easily used by only mounting Dial Indicator for comparison measurement.
- This small stand is suitable for measuring small parts etc.



**US-16B**

Specimen table size 80×80mm  
Standard Type

Precision Grinding Cast Iron base



**US-22B**

Specimen table size 80×80mm  
With fine adjustment device

Precision Grinding Cast Iron base

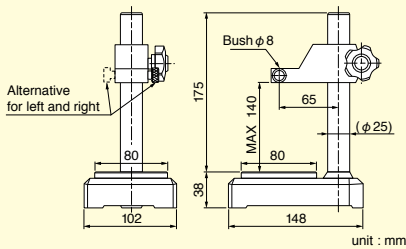


**US-25**

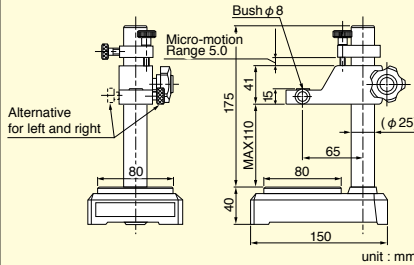
Specimen table size  $\phi$  60mm  
With fine adjustment device

$\phi$  60mm Ceramics base

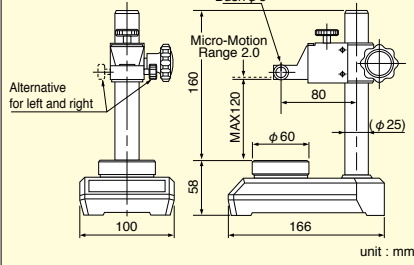
Dimensions : US-16B



Dimensions : US-22B



Dimensions : US-25



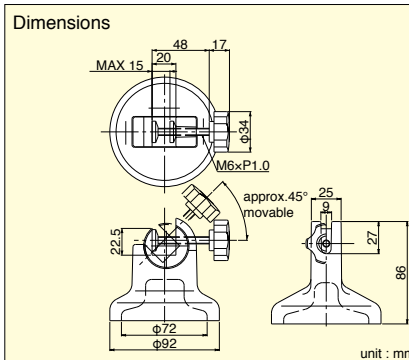
Specifications

Model	Type	Specimen Table Size (mm)	Movable Range (mm)	Weight(kg)
US-16B	Standard Type	80×80	0~140	3.4
US-22B	With Micro-Motion Device	80×80	0~110	3.5
US-25	Parallel Spring Type Precision Micro-Motion Device	$\phi$ 60	0~120	3.9

# Holder Stand for Thickness Gauge

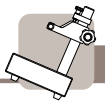


**FM-18**



Specifications

Model	Size (mm)	Weight(g)
FM-18	base $\phi$ 92 , hight 86	850



## Magnetic Base

- Magnetic base can hold a measuring device such as dial indicator.
- Adaptor (Internal diameter  $\phi 6\text{mm}$ ) is supplied for holding test indicators on model : MB-1040 and MB-1050
- MB-1040 / 1050 can also be fixed with dovetail of auto-clutch lever test.

- Dial indicator is mounted to MB-B with lug back and test indicator is clamped with stem (It can not be clamped with dovetail).
- MB-1040 / 1050 can not be clamped with dovetail.



MB-1040



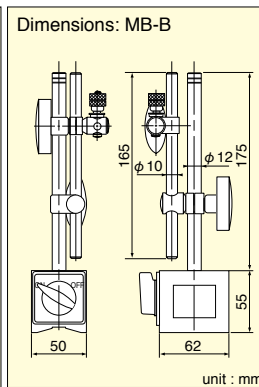
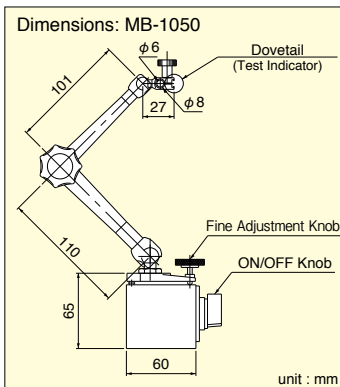
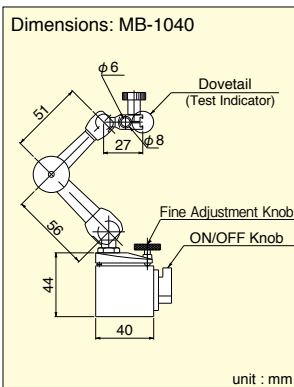
MB-1050



MB-B



Example  
Magnetic Base with Test Indicator.  
Dial indicator is also applied.



### Specifications

Model	Type	Holding Power (N)	Mount Hole Diameter(mm)	Weight (kg)
MB-1040	One-touch, fine adjustment, small	320	6.0/8.0	0.5
MB-1050	One-touch, fine adjustment	800	6.0/8.0	1.4
MB-B	Standard	800	4.5/6.5	1.5