

BAKER

....a passion for precision

PRICE LIST

EFFECTIVE 01-04-2019

BAKER GAUGES INDIA PRIVATE LIMITED

www.bakergauges.com



BMI DIVISION

CORPORATE OFFICE & FACTORY

33 - 1 - 2, NAGAR ROAD,
PUNE - 411 014, INDIA.

☎ : 020 - 66093800

FAX : 020 - 66093888

E-mail : bakerbmi@bakergauges.com



HIP DIVISION

HEAD OFFICE & FACTORY

37 - 40, NAGAR ROAD,
PUNE - 411 014, INDIA

☎ : 020 - 66250 600

FAX : 020 - 66250 786

E-mail : bakerhip@bakergauges.com

AN ISO 9001:2015 COMPANY



BAKER GAUGES INDIA PRIVATE LIMITED

CORPORATE OFFICE & FACTORY

33 - 1 - 2, NAGAR ROAD, PUNE - 411 014, INDIA.

☎ : 020 - 66093800 FAX : 020 - 66093888

E-mail : bakerbmi@bakergauges.com

Website : www.bakergauges.com

BMI DIVISION



...a passion for precision

BAKER BMI DIVISION PRICE LIST

Page Nos. 1 to 30



DESCRIPTION	PAGE NO.
Plunger Type Dial Gauges	3
Mini Digital Dial Gauges (Plunger Type)	4
New IP67 Digital Dial Gauges (Plunger Type)	4
Valueline Digital Dial Gauges (Plunger Type)	4 - 5
Tyre Tread Depth Gauges	5
Crankshaft Gauges	5
Precision Measuring Instruments Set	5
Outer Diameter Checking Gauges	5
Ball Diameter Checking Gauges	5
Hardness Tester Dial Gauges	6
Comparator Stand	6
Magnetic Stand	6
Universal Magnetic Stand	6
Dial Snap Gauges	6
Lever Type Dial Gauges	6 - 7
Back Plunger Dial Gauges	7
Universal Test Sets	7
Dial Bore Gauges	7
Bore Gauge Assembly (without Dial Gauge)	8
Digital Dial Bore Gauge	8
Dial Depth Gauges	8
Digital Dial Depth Gauges	8
Dial Thickness Gauges	9
Digital Dial Thickness Gauges	9
Dial Gauge Accessories	10
Dial Gauge Spares	11 -16
Digital Calipers	17
Digital Depth Calipers	18
Dial Calipers	18
Vernier Calipers	18
Digital Height Gauges	19
Vernier Height Gauges	19
Electronic Probes	19
Master Setting Rings	20
Master Setting Discs	21
Terms & Conditions (for products)	21
Calibration Charges For Master Setting Rings	22
Calibration Charges For Master Setting Discs / Plain Plug Gauges	22
Calibration Charges For Plain Taper Gauges (Male / Female)	22
Calibration Charges For Roundness Measurement (Internal & External Diameter)	23
Calibration Charges For Roundness Masters	23
Calibration Charges For Surface Finish Measurement / Roughness Masters	23
Calibration Charges For Dial Gauges	23
Calibration Charges For Electronic Products	23
Calibration Charges For Digital Dial Gauges	23
Calibration Charges For Digital Calipers / Dial Calipers / Vernier Calipers	23
Calibration Charges For Height Gauges	24
Calibration Charges For Three Point Micrometers	24
Calibration Charges For Slip Gauges	24
Terms & Conditions (for services)	24
Calibration Services	25
NABL Certificate of Accreditation	26
NABL Scope of Accreditation	27-28

DIAL GAUGES & INSTRUMENTS



PLUNGER TYPE DIAL GAUGES (MODEL 40)

PRODUCT CODE	TYPE	READING	RANGE	GRADUATION	UNIT RATE ₹
D01469000	K39	0.01 mm	5.0 mm	0-50-0	2,000.00
D01459000	K40	0.01 mm	5.0 mm	0-100	2,000.00
D11139000	K41	0.001 inch	0.25 inch	0-50-0	2,185.00
D11129000	K42	0.001 inch	0.25 inch	0-100	2,185.00

PLUNGER TYPE DIAL GAUGES (MODEL 56)

PRODUCT CODE	TYPE	READING	RANGE	GRADUATION	UNIT RATE ₹
D01399000	KZ	0.01 mm	0.8 mm	40-0-40	1,525.00
D01359000	KO1	0.01 mm	10.0 mm	0-50-0	1,410.00
D01099000	KO2	0.01 mm	10.0 mm	0-100	1,410.00
D01369000	KO3	0.01 mm	5.0 mm	0-50-0	1,325.00
D01379000	KO4	0.01 mm	5.0 mm	0-100	1,325.00
D06119000	KO5	0.1 mm	10.0 mm	0-10	1,325.00
D06129000	KO6	0.1 mm	25.0 mm	0-10	1,850.00
D01389000	KO8	0.01 mm	25.0 mm	0-100	2,405.00
D01429000	KO7	0.01 mm	30.0 mm	0-100	3,065.00
D23129000	KO9	0.002 mm	2.0 mm	0-10-0	3,065.00
D23139000	K10	0.002 mm	2.0 mm	0-20	3,065.00
D23149000	K11	0.002 mm	5.0 mm	0-10-0	3,660.00
D23119000	K12	0.002 mm	5.0 mm	0-20	3,450.00
D23159000	K13	0.002 mm	12.0 mm	0-10-0	5,930.00
D23169000	K14	0.002 mm	12.0 mm	0-20	5,930.00
D28089000	K17S	0.001 mm	1.0 mm	0-100-0	3,500.00

D11119000	KY	0.001 inch	0.08 inch	40-0-40	1,525.00
D11099000	K51	0.001 inch	0.5 inch	0-50-0	1,830.00
D11109000	K52	0.001 inch	0.5 inch	0-100	1,830.00
D11089000	K50	0.001 inch	1.0 inch	0-100	2,410.00
D16059000	K53	0.0005 inch	0.5 inch	0-25-0	2,250.00
D16069000	K54	0.0005 inch	0.5 inch	0-50	2,250.00
D25099000	K61	0.0001 inch	0.2 inch	0-50-0	4,045.00
D25109000	K62	0.0001 inch	0.2 inch	0-100	4,045.00
D25119000	K63	0.0001 inch	0.5 inch	0-50-0	6,525.00
D25129000	K64	0.0001 inch	0.5 inch	0-100	6,525.00

PLUNGER TYPE DIAL GAUGES (MODEL 88)

PRODUCT CODE	TYPE	READING	RANGE	GRADUATION	UNIT RATE ₹
D01149000	J72	0.01 mm	50.0 mm	0-100	6,180.00
D11049000	J76	0.001 inch	2.0 inch	0-100	6,530.00

PLUNGER TYPE DIAL GAUGES (0-100mm)

PRODUCT CODE	TYPE	READING	RANGE	GRADUATION	UNIT RATE ₹
D05509000	K100	0.01 mm	100 mm	0-100	18,900.00

PLUNGER TYPE DIAL GAUGES (MODEL 105)

PRODUCT CODE	TYPE	READING	RANGE	GRADUATION	UNIT RATE ₹
D01409000	K101	0.01 mm	2.0 mm	0-50-0	5,855.00

MINI DIGITAL DIAL GAUGES (PLUNGER TYPE)

PRODUCT CODE	DESCRIPTION	UNIT RATE ₹
E61079000	BAKER IP65 MINI Water Resistant Plunger Type Digital Dial Gauge, Type MD001 with metric & inch capability & RS232 data output. Reading : 0.001 mm / 0.00005 inch Range : 12.5 mm / 0.5 inch	23,320.00
E61009002	BAKER RS232 Cable + Power supply for MINI Plunger Type Dial Gauges	6,495.00

NEW IP67 DIGITAL DIAL GAUGES (PLUNGER TYPE)

PRODUCT CODE	DESCRIPTION	UNIT RATE ₹
E61089000	BAKER Water Resistant Digital Dial Gauge, Type W1 with metric & inch capability & RS232 data output, conforming to IP67. Reading : 0.001 mm / 0.00005 inch Range : 12.5 mm / 0.5 inch	17,700.00
E61099000	BAKER Water Resistant Digital Dial Gauge, Type W2 with metric & inch capability & RS232 data output, conforming to IP67. Reading : 0.001 mm / 0.00005 inch Range : 25 mm / 1.0 inch	19,705.00
E61189000	BAKER Water Resistant Digital Dial Gauge, Type W3 with metric & inch capability & RS232 data output, conforming to IP67. Reading : 0.001 mm / 0.00005 inch Range : 50 mm / 2.0 inch	30,740.00
E61199000	BAKER Water Resistant Digital Dial Gauge, Type W1A (with advance features) with metric & inch capability & RS232 data output, conforming to IP67. Reading : 0.001 mm / 0.00005 inch Range : 12.5 mm / 0.5 inch	18,810.00
E61299000	BAKER Water Resistant Digital Dial Gauge, Type W2A (with advance features) with metric & inch capability & RS232 data output, conforming to IP67. Reading : 0.001 mm / 0.00005 inch Range : 25 mm / 1.0 inch	20,820.00
E61179000	BAKER Water Resistant Digital Dial Gauge, Type W3A (with advance features) with metric & inch capability & RS232 data output, conforming to IP67. Reading : 0.001 mm / 0.00005 inch Range : 50 mm / 2.0 inch	31,800.00
E62211005	BAKER Proximity Cable for RS232 interface suitable for W1, W2, W3, W1A, W2A & W3A Digital Dial Gauges.	6,180.00
E62211004	BAKER Proximity Cable for USB interface suitable for W1, W2, W3, W1A, W2A & W3A Digital Dial Gauges.	6,180.00
E61081028	Lugback with screws for W1, W2, W3, W1A, W2A & W3A Digital Dial Gauges	950.00

VALUELINE DIGITAL DIAL GAUGES (PLUNGER TYPE)

PRODUCT CODE	DESCRIPTION	UNIT RATE ₹
E61109000	BAKER Digital Dial Gauge, Type V1 with metric & inch capability Reading : 0.01 mm / 0.0005 inch Range : 12.5 mm / 0.5 inch	5,425.00
E61119000	BAKER Digital Dial Gauge, Type V2 with metric & inch capability Reading : 0.01 mm / 0.0005 inch Range : 25 mm / 1.0 inch	6,795.00
E61129000	BAKER Digital Dial Gauge, Type V3 with metric & inch capability Reading : 0.01 mm / 0.0005 inch Range : 50 mm / 2.0 inch	17,400.00

DIAL GAUGES & INSTRUMENTS



VALUELINE DIGITAL DIAL GAUGES (PLUNGER TYPE)

PRODUCT CODE	DESCRIPTION	UNIT RATE ₹
E61209000	BAKER Digital Dial Gauge, Type V1P with metric & inch capability Reading : 0.001 mm / 0.00005 inch Range : 12.5 mm / 0.5 inch	10,395.00
E61219000	BAKER Digital Dial Gauge, Type V2P with metric & inch capability Reading : 0.001 mm / 0.00005 inch Range : 25 mm / 1.0 inch	12,495.00
E61101009	Lugback for V1, V2, V3, V1P, V2P Digital Dial Gauges	130.00

TYRE TREAD DEPTH GAUGES

PRODUCT CODE	TYPE	READING	RANGE	GRADUATION	UNIT RATE ₹
D06579000	TTG01	0.1 mm	8.0 mm	-	2,055.00
D06599000	TTG02	0.004 inch	0.32 inch	-	2,260.00

CRANKSHAFT GAUGES

D45579000	CS1	0.01 mm	60 - 600 mm	0-50	6,465.00
D45589000	CS2	0.0005 inch	2.4 - 23.6 inch	0-20	7,105.00

PRECISION MEASURING INSTRUMENTS SET

D01579000	PMI-3	Set consisting of BAKER Digital Caliper SDN10, Dial Gauge KO2 & Micrometer MMC25			7,600.00
-----------	-------	-------------------------------------------------------------------------------------	--	--	----------

OUTER DIAMETER CHECKING GAUGES

PRODUCT CODE	TYPE	READING	RANGE	GRADUATION	UNIT RATE ₹
D91019000	OD01	0.1mm	50 - 70 mm	-	6,440.00
D91029000	OD02	0.1mm	70 - 90 mm	-	6,440.00
D91039000	OD03	0.1mm	90 - 110 mm	-	6,440.00
D91049000	OD04	0.1mm	110 - 130 mm	-	6,440.00
D91059000	OD05	0.1mm	130 - 150 mm	-	6,440.00
D91069000	OD06	0.5mm	150 - 175 mm	-	6,440.00
D91079000	OD07	0.5mm	175 - 200 mm	-	6,440.00
D91089000	OD08	0.5mm	200 - 225 mm	-	6,775.00
D91099000	OD09	0.5mm	225 - 250 mm	-	6,775.00
D91109000	OD10	0.5mm	250 - 275 mm	-	6,775.00
D91119000	OD11	0.5mm	275 - 300 mm	-	6,775.00

BALL DIAMETER CHECKING GAUGES

PRODUCT CODE	TYPE	READING	RANGE	GRADUATION	UNIT RATE ₹
D92019000	BD01	0.01mm	1 - 10mm	-	4,655.00
D92029000	BD02	0.02mm	10 - 12mm	-	4,655.00
D92039000	BD03	0.02mm	12 - 14mm	-	4,655.00
D92049000	BD04	0.02mm	14 - 16mm	-	4,655.00
D92059000	BD05	0.02mm	16 - 18mm	-	4,655.00
D92069000	BD06	0.02mm	18 - 20mm	-	4,655.00
D92079000	BD07	0.02mm	20 - 22mm	-	4,655.00
D92089000	BD08	0.02mm	22 - 24mm	-	4,655.00
D92099000	BD09	0.02mm	24 - 26mm	-	4,655.00
D92109000	BD10	0.02mm	26 - 28mm	-	4,655.00
D92119000	BD11	0.02mm	28 - 30mm	-	4,655.00

HARDNESS TESTER DIAL GAUGES

PRODUCT CODE	DESCRIPTION	UNIT RATE ₹
D04329000	BAKER Hardness Tester Dial Gauge (Rockwell) Standard	2,640.00

COMPARATOR STAND

PRODUCT CODE	DESCRIPTION	UNIT RATE ₹
D82039000	BAKER Comparator Stand - Type CS150 Gauging Height : 150mm	6,865.00

MAGNETIC STAND

PRODUCT CODE	DESCRIPTION	UNIT RATE ₹
D83019000	BAKER Magnetic Stand - Type MS	1,460.00
D83029000	BAKER Magnetic Stand with Fine Adjustment - Type MSF	1,565.00
D83059000	BAKER Universal Magnetic Stand - Type UMS	3,100.00

DIAL SNAP GAUGES

PRODUCT CODE	DESCRIPTION	UNIT RATE ₹
D89009000	BAKER Type DS25 Dial Snap Gauge (without Dial Gauge) Range : 0 - 25 mm	10,100.00
D89019000	BAKER Type DS50 Dial Snap Gauge (without Dial Gauge) Range : 25 - 50 mm	10,435.00
D89029000	BAKER Type DS75 Dial Snap Gauge (without Dial Gauge) Range : 50 - 75 mm	11,910.00
D89039000	BAKER Type DS100 Dial Snap Gauge (without Dial Gauge) Range : 75 - 100 mm	12,480.00

LEVER TYPE DIAL GAUGES (MODEL 29)

PRODUCT CODE	TYPE	READING	RANGE	GRADUATION	UNIT RATE ₹
D30009000	302	0.01 mm	0.8 mm	0-40-0	4,210.00
D34009000	304	0.002 mm	0.2 mm	0-10-0	7,000.00
D32009000	301	0.0005 inch	0.03 inch	0-15-0	5,685.00
D35009000	303	0.0001 inch	0.008 inch	0-4-0	8,570.00

Supplied with 2mm Ø T.C. Ball Stylus fitted to the gauge and 1mm Ø T.C. Ball Stylus, Height Gauge Adaptor, Ø 4mm & 8mm Dovetail Spigot Assembly and Universal Clamp as standard accessories in a box.

D30509000	302A	0.01 mm	0.8 mm	0-40-0	3,335.00
D34509000	304A	0.002 mm	0.2 mm	0-10-0	5,775.00
D32519000	301A	0.0005 inch	0.03 inch	0-15-0	4,945.00
D35519000	303A	0.0001 inch	0.008 inch	0-4-0	7,850.00

Supplied with 2mm Ø T.C. Ball Stylus & 8mm Dovetail Spigot Assembly fitted to the gauge.

LEVER TYPE DIAL GAUGES WITH LONG STYLUS (MODEL 29)

PRODUCT CODE	TYPE	READING	RANGE	GRADUATION	UNIT RATE ₹
D30039000	302L	0.01 mm	0.8 mm	0-40-0	6,300.00
D32039000	301L	0.0005 inch	0.03 inch	0-15-0	6,905.00

Supplied with 33mm long 2mm Ø T.C. Ball Stylus fitted to the gauge, Height Gauge Adaptor, Ø 4mm & 8mm Dovetail Spigot Assembly and Universal Clamp as standard accessories in a box.

DIAL GAUGES & INSTRUMENTS



D30519000	302AL	0.01 mm	0.8 mm	0-40-0	5,340.00
D33009000	301AL	0.0005 inch	0.03 inch	0-15-0	5,880.00

Supplied with 33mm long 2mm Ø T.C. Ball Stylus & 8mm Dovetail Spigot Assembly fitted to the Gauge.

LEVER TYPE DIAL GAUGES (MODEL 38)

PRODUCT CODE	TYPE	READING	RANGE	GRADUATION	UNIT RATE ₹
D30019000	306	0.01 mm	0.8 mm	0-40-0	4,810.00
D34029000	308	0.002 mm	0.2 mm	0-10-0	8,570.00
D32029000	305	0.0005 inch	0.03 inch	0-15-0	6,240.00
D35029000	307	0.0001 inch	0.008 inch	0-4-0	9,435.00

Supplied with 2mm Ø T.C. Ball Stylus fitted to the gauge and 1mm Ø T.C. Ball Stylus, Height Gauge Adaptor, Ø 4mm & 8mm Dovetail Spigot Assembly and Universal Clamp as standard accessories in a box.

D30579000	306A	0.01 mm	0.8 mm	0-40-0	3,665.00
D34519000	308A	0.002 mm	0.2 mm	0-10-0	7,845.00
D32529000	305A	0.0005 inch	0.03 inch	0-15-0	5,435.00
D35539000	307A	0.0001 inch	0.008 inch	0-4-0	8,630.00

Supplied with 2mm dia. T.C. Ball Stylus & 8mm Dovetail Spigot Assembly fitted to the gauge.

LEVER TYPE DIAL GAUGES WITH LONG STYLUS (MODEL 38)

PRODUCT CODE	TYPE	READING	RANGE	GRADUATION	UNIT RATE ₹
D30049000	306L	0.01 mm	0.8 mm	0-40-0	6,880.00
D32049000	305L	0.0005 inch	0.03 inch	0-15-0	7,570.00

Supplied with 33mm long 2mm Ø T.C. Ball Stylus fitted to the gauge, Height Gauge Adaptor, Ø 4mm & 8mm Dovetail Spigot Assembly and Universal Clamp as standard accessories in a box.

D30599000	306AL	0.01 mm	0.8 mm	0-40-0	5,860.00
D32549000	305AL	0.0005 inch	0.03 inch	0-15-0	6,425.00

Supplied with 33mm long 2mm Ø T.C. Ball Stylus & 8mm Dovetail Spigot Assembly fitted to the Gauge.

BACK PLUNGER DIAL GAUGES (MODEL 38)

D40019000	FO1	0.01 mm	2.0 mm	0-50-0	2,080.00
D40009000	FO2	0.01 mm	2.0 mm	0-100	2,080.00
D42019000	F51	0.001 inch	0.1 inch	0-50-0	2,290.00
D42009000	F52	0.001 inch	0.1 inch	0-100	2,290.00

UNIVERSAL TEST SETS

D46019000	UI01	0.01 mm	2.0 mm	0-50-0	3,695.00
D46009000	UI02	0.01 mm	2.0 mm	0-100	3,695.00
D47019000	UI51	0.001 inch	0.1 inch	0-50-0	4,065.00
D47009000	UI52	0.001 inch	0.1 inch	0-100	4,065.00

DIAL BORE GAUGES

Range 4 - 6 mm (0.160" - 0.236")

PRODUCT CODE	TYPE	READING	BORE DEPTH	GRADUATION	UNIT RATE ₹
D71009000	K439	0.01 mm	35 mm	0-50-0	49,900.00

Range 6 - 10 mm (0.236" - 0.4")

D72009000	K539	0.01 mm	48 mm	0-50-0	12,900.00
-----------	------	---------	-------	--------	-----------

Range 10 - 18 mm (0.4" - 0.7")

PRODUCT CODE	TYPE	READING	BORE DEPTH	GRADUATION	UNIT RATE ₹
D77039000	K639	0.01 mm	100 mm	0-50-0	7,765.00
D77049000	K641	0.001 inch	4 inch	0-50-0	7,940.00

Range 18 - 50 mm (0.7" - 2")

D73059000	K703	0.01 mm	150 mm	0-50-0	7,605.00
D73069000	K709	0.002 mm	150 mm	0-10-0	9,190.00
D73119000	K717	0.001 mm	150 mm	0-100-0	9,435.00
D73079000	K753	0.0005 inch	6 inch	0-25-0	8,365.00
D73089000	K761	0.0001 inch	6 inch	0-50-0	9,445.00

Range 50 - 150 mm (2" - 6")

D75059000	K803	0.01 mm	250 mm	0-50-0	7,605.00
D75069000	K809	0.002 mm	250 mm	0-10-0	9,190.00
D75129000	K817	0.001 mm	250 mm	0-100-0	9,435.00
D75079000	K853	0.0005 inch	10 inch	0-25-0	8,365.00
D75089000	K861	0.0001 inch	10 inch	0-50-0	9,445.00

BORE GAUGE ASSEMBLY (WITHOUT DIAL GAUGE)
Range: 10 - 18 mm (0.4" - 0.7")

PRODUCT CODE	DESCRIPTION	UNIT RATE ₹
D77009000	BAKER Bore Gauge Assembly (Without Dial Gauge) (for 0.01mm and 0.001 inch Reading)	6,125.00

Range: 18 - 50 mm (0.7" - 2")

D73099000	BAKER Bore Gauge Assembly (Without Dial Gauge) (for 0.01mm and 0.0005 inch Reading)	6,635.00
D73009000	BAKER Bore Gauge Assembly (Without Dial Gauge) (for 0.002mm, 0.001mm and 0.0001 inch Reading)	7,490.00

Range: 50 - 150 mm (2" - 6")

D75099000	BAKER Bore Gauge Assembly (Without Dial Gauge) (for 0.01mm and 0.0005 inch Reading)	6,635.00
D75009000	BAKER Bore Gauge Assembly (Without Dial Gauge) (for 0.002mm, 0.001mm and 0.0001 inch Reading)	7,490.00

DIGITAL DIAL BORE GAUGES
Range: 10 - 18 mm (0.4" - 0.7")

PRODUCT CODE	TYPE	READING	RANGE	GRADUATION	UNIT RATE ₹
D77059000	K60/D	0.01 mm / 0.0005 inch	12.5 mm / 0.5 inch	-	12,300.00

Range: 18 - 50 mm (0.7" - 2")

D73099000	K70/D	0.01 mm / 0.0005 inch	12.5 mm / 0.5 inch	-	12,675.00
D73109000	K70/DP	0.001 mm / 0.00005 inch	12.5 mm / 0.5 inch	-	16,535.00

Range: 50 - 150 mm (2" - 6")

D75099000	K80/D	0.01 mm / 0.0005 inch	12.5 mm / 0.5 inch	-	12,675.00
D75159000	K80/DP	0.001 mm / 0.00005 inch	12.5 mm / 0.5 inch	-	16,535.00

DIAL DEPTH GAUGES

PRODUCT CODE	TYPE	READING	RANGE	GRADUATION	UNIT RATE ₹
D50019000	K158/0	0.1 mm	0-200 mm	10-0	2,780.00
D51049000	K158/3	0.01 mm	0-200 mm	100-0	3,150.00
D52039000	K158/1	0.001 inch	0-8 inch	100-0	3,470.00

DIAL GAUGES & INSTRUMENTS



DIGITAL DIAL DEPTH GAUGES

PRODUCT CODE	TYPE	READING	RANGE	GRADUATION	UNIT RATE ₹
D51079000	K158/D	0.01mm / 0.0005 inch	0-200 mm / 0-8 inch	-	8,450.00
D51089000	K158/DP	0.001mm / 0.00005 inch	0-200 mm / 0-8 inch	-	12,340.00

DIAL THICKNESS GAUGES

130 Series (Throat Depth: 30 mm)

PRODUCT CODE	TYPE	READING	RANGE	GRADUATION	UNIT RATE ₹
D60159000	K130/0	0.1 mm	10.0 mm	0-10	2,275.00
D61159000	K130/3	0.01 mm	10.0 mm	0-100	2,360.00
D63039000	K130/6	0.002 mm	2.0 mm	0-20	3,965.00
D63049000	K130/7	0.002 mm	5.0 mm	0-20	4,385.00
D62109000	K130/1	0.001 inch	0.5 inch	0-100	2,675.00
D64039000	K130/8	0.0001 inch	0.05 inch	0-100	4,355.00
D64049000	K130/9	0.0001 inch	0.2 inch	0-100	4,830.00

142 Series (Throat Depth: 100 mm)

D60229000	K142/0	0.1 mm	10.0 mm	0-10	2,675.00
D61149000	K142/3	0.01 mm	10.0 mm	0-100	2,780.00
D62129000	K142/1	0.001 inch	0.5 inch	0-100	3,045.00

138 Series (Push Down Type) (Throat Depth: 50 mm)

D60219000	K138/0	0.1 mm	25.0 mm	0-10	3,885.00
D61139000	K138/3	0.01 mm	25.0 mm	0-100	4,140.00
D62139000	K138/1	0.001 inch	1.0 inch	0-100	4,550.00

138 Series (Throat Depth: 50 mm)

D60249000	K138/0L	0.1 mm	25.0 mm	0-10	4,225.00
D61179000	K138/3L	0.01 mm	25.0 mm	0-100	4,480.00
D62119000	K138/1L	0.001 inch	1.0 inch	0-100	4,935.00

145 Series (Throat Depth: 200 mm)

D60139000	K145/0	0.1 mm	10.0 mm	0-10	3,265.00
D61119000	K145/3	0.01 mm	10.0 mm	0-100	3,370.00
D62089000	K145/1	0.001 inch	0.5 inch	0-100	3,645.00

150 Series (Throat Depth: 200 mm)

D60149000	K150/0	0.1 mm	25.0 mm	0-10	4,820.00
D61129000	K150/3	0.01 mm	25.0 mm	0-100	5,085.00
D62099000	K150/1	0.001 inch	1.0 inch	0-100	5,540.00

DIGITAL DIAL THICKNESS GAUGES

130 Series (Throat Depth: 30 mm)

PRODUCT CODE	TYPE	READING	RANGE	GRADUATION	UNIT RATE ₹
D60209000	K130/D	0.001 mm / 0.00005 inch	12.5 mm / 0.5 inch	-	17,350.00

142 Series (Throat Depth: 100 mm)

D60179000	K142/D	0.001 mm / 0.00005 inch	12.5 mm / 0.5 inch	-	17,550.00
-----------	--------	-------------------------	--------------------	---	-----------

138 Series (Throat Depth: 50 mm)

D60169000	K138/D	0.001 mm / 0.00005 inch	25 mm / 1.0 inch	-	20,050.00
-----------	--------	-------------------------	------------------	---	-----------

145 Series (Throat Depth: 200 mm)

D60189000	K145/D	0.001 mm / 0.00005 inch	12.5 mm / 0.5 inch	-	18,050.00
-----------	--------	-------------------------	--------------------	---	-----------

150 Series (Throat Depth: 200 mm)

D60199000	K150/D	0.001 mm / 0.00005 inch	25 mm / 1.0 inch	-	20,550.00
-----------	--------	-------------------------	------------------	---	-----------

ACCESSORIES FOR 'K' SERIES

PRODUCT CODE	DESCRIPTION	UNIT RATE RS.
D01009109	Tungsten Carbide Ball Anvil	120.00
D01009104	Saphire Ball Anvil	210.00
D01009103	Ruby Ball Anvil	390.00
D01009131	Flat Anvil 5 mm dia.	180.00
D60007020	Flat Anvil 10 mm dia.	240.00
D01009170	Flat Anvil 20 mm dia.	340.00
D46009030	Hemispherical Anvil	210.00
D01009141	Chisel Anvil	240.00
D01009151	Needle Anvil	220.00
D01009133	Stylus Anvil	240.00
D01009160	Conical Anvil	220.00
D01009135	Long Conical Point Anvil	275.00
D50009923	Rack Extension 25 mm	80.00
D50009924	Rack Extension 50 mm	100.00
D50009925	Rack Extension 100 mm	140.00
D01099910	Centre Lugback Cover	80.00
D01099913	Flat Back Cover	80.00
D01099912	Offset Lugback cover	80.00
D01099914	Sliding Back-Female	360.00
D01099915	Sliding Back-Male	330.00
D01099900	Sliding Back-Male with Spigot	440.00
D60009300	Lifting Lever- New	220.00
D01009940	Rubber Bellow	80.00

- "Certificate of Calibration" is provided with each gauge, traceable to National/International Length Standards.
- For NABL (National Accreditation Board for Testing & Calibration Laboratories) Certification, extra charges will be applicable, which can be made available on request. For NABL Scope of Accreditation, please refer page 27 & 28
- All Model 40 & Model 56 Plunger Type Dial Gauges are supplied fitted with Flat Back and a spare Central Lug Back in a plastic box.
- All Dial Gauges are supplied with Tungsten Carbide Ball Anvil.

DIAL GAUGE SPARES



Spare parts list for :

Type KZ, K01, K02, K03, K04, K08, K101, K05, K06, KY, K50, K51, K52, K53, K54.

REF NO.	PART NO.	PART DESCRIPTION	USED ON	UNIT RATE ₹
1	D01009060	TOLERANCE POINTER	ALL TYPES EXCEPT K101	40.00
	D01069060	TOLERANCE POINTER	K101	130.00
2	D01099050	CRYSTAL	ALL TYPES EXCEPT K101	35.00
	D01069050	CRYSTAL	K101	140.00
3	D01094020	DIAL SPACER	ALL TYPES EXCEPT K101	35.00
	D01064020	DIAL SPACER	K101	80.00
4	D01005000	LARGE POINTER ASSLY.	ALL TYPE EXCEPT K101	80.00
	D01065000	LARGE POINTER ASSLY	K101	320.00
5	D01006000	SMALL POINTER ASSLY.	ALL TYPES EXCEPT K05,K06,KZ,KY	80.00
6	D01099040	BEZEL	ALL TYPES EXCEPT K101	100.00
	D01069040	BEZEL	K101	390.00
7	-	OUTER DIAL	GIVE TYPE NO.	80.00
	D01064010	OUTER DIAL	K101	200.00
8	-	INNER DIAL ASSEMBLY	GIVE TYPE NO.	100.00
9	D01003010	O RING	ALL TYPES	20.00
10	U90100301	CHEESE HEAD SCREW	ALL TYPES	20.00
11	D01009020	BEZEL RETAINING WASHER HALF ROUND.	ALL TYPES	20.00
12	D01009010	BEZEL RETAINING WASHER FULL ROUND.	ALL TYPES	20.00
13, 23	D01091100	BOTTOM PLATE ASSLY. WITH TOP PLATE ASSLY	ALL TYPES	310.00
14	D01091020	CENTER PINION	K01,K02,K03,K04,KZ,K08,K101,K53,K54	100.00
	D06111020	CENTER PINION	K05,K06	100.00
	D11081020	CENTER PINION	K51,K52,K50,KY	100.00
15	--	--	--	--
16	D01092040	TENSION SPRING	K01,K02,K03,K04,KZ,K06,K08,K50,K101 K05,K51,K52,K53,K54,KY	25.00
18	D01091500	RACK PINION & PIN ASSLY.	K01,K02,K03,K04,KZ,K101	100.00
	D01001400	RACK WHEEL & BOSS ASSLY.	K01,K02,K03,K04,KZ, K101	120.00
	D11111500	RACK PINION & PIN ASSLY.	KY	100.00
	D11061400	RACK WHEEL & BOSS ASSLY.	KY	120.00
	D01381600	RACK PINION & WHEEL ASSLY.	K08	200.00
	D06111600	RACK PINION & WHEEL ASSLY.	K05,K06	200.00
	D11081600	RACK PINION & WHEEL ASSLY.	K51,K52,K50	160.00
	D16051600	RACK PINION & WHEEL ASSLY.	K53,K54	160.00
19	D01091200	BACKLASH SPINDLE & WHEEL ASSLY.	K01,K02,K03,K04,KZ,K101,K53,K54	70.00
	D01381200	BACKLASH SPINDLE & WHEEL ASSLY.	K08	80.00
	D06111200	BACKLASH SPINDLE & WHEEL ASSLY.	K05,K06	80.00
	D11091200	BACKLASH SPINDLE & WHEEL ASSLY.	K51,K52,KY	80.00
	D11081200	BACKLASH SPINDLE & WHEEL ASSLY.	K50	120.00
20	D01091300	BACKLASH HAIR SPRING	ALL TYPES	80.00
21	D01001010	BACKLASH HAIR SPRING PIN	ALL TYPES	30.00
22	-	--	--	-
24	D01009101	TUNGSTEN CARBIDE BALL ANVIL	ALL TYPES	120.00
25	D01002010	PLUNGER	K01,K02	200.00
	S01002010	PLUNGER WITH 13 MM EXTN.	K101	320.00
	D01022010	PLUNGER.	K03,K04,KZ	200.00
	D01132010	PLUNGER	K08	320.00
	D06002010	PLUNGER.	K05	220.00
	D06012010	PLUNGER.	K06	320.00
	D25002010	PLUNGER.	KY	200.00
	D11032010	PLUNGER	K50	320.00
	D11012010	PLUNGER.	K51,K52,K53,K54	200.00

REF NO.	PART NO.	PART DESCRIPTION	USED ON	UNIT RATE ₹
26	D01092020	PLUNGER GUIDE PIN.	ALL TYPES	25.00
27	D01002050	PLUNGER STOP SCREW	ALLTYPES	20.00
28	D01382030	PLUNGER GUIDE.	K08,K50,K06	90.00
29	D01382070	PLUNGER GUIDE SCREW.	K08,K50,K06	20.00
30	D01092100	CASE BEARING ASSEMBLY.	K01,K02,K03,K04,KZ,K05,K51,K52,K53,K54,KY	230.00
	D01382100	CASE BEARING ASSEMBLY.	K08,K06,K50	310.00
	D01402100	CASE BEARING ASSEMBLY.	K101	330.00
31	D01009070	BEZEL CLAMP.	ALL TYPES EXCEPT K101	30.00
	D01069070	BEZEL CLAMP.	K101	35.00
32	D01002060	BEZEL CLAMP KNOB	ALL TYPES EXCEPT K101	30.00
	D01062060	BEZEL CLAMP KNOB	K101	30.00
33	D01009910	CENTRE LUGBACK COVER	ALL TYPES	80.00
35	D60002060	TOP KNOB.	K05,K06	35.00
	D01002061	TOP SCREW	ALL TYPES EXCEPT K06,K05	30.00
	D01009570	TOP CAP	ALL TYPES EXCEPT K08,K50,K06,K05	40.00
	D01009571	TOP CAP	K08, K50	55.00
	D01381800	BACKLASH INTER PINION & WHEEL ASSLY.	K08	125.00
	D11081800	BACKLASH INTER PINION & WHEEL ASSLY.	K50	125.00

DIAL GAUGE SPARES



Spare parts list for :

Type KO9, K10, K11, K12, K13, K14, K17, K61, K62, K63, K64

REF NO.	PART NO.	PART DESCRIPTION	USED ON	UNIT RATE ₹
1	D01009060	TOLERANCE POINTER	ALL TYPES	40.00
2	D01099050	CRYSTAL	ALL TYPES	35.00
3	D01094020	DIAL SPACER	ALL TYPES	35.00
4	D01005000	LARGE POINTER ASSLY.	ALL TYPES	80.00
5	D01006000	SMALL POINTER ASSLY.	ALL TYPES	80.00
6	D01099040	BEZEL	ALL TYPES	100.00
7		OUTER DIAL	GIVE TYPE NO.	80.00
8		INNER DIAL	GIVE TYPE NO.	100.00
9	D01003010	O RING.	ALL TYPES	20.00
10	U90100301	CHEESE HEAD SCREW	ALL TYPES	20.00
11	D01009020	BEZEL RETAINING WASHER HALF ROUND	ALL TYPES	20.00
12	D01009010	BEZEL RETAINING WASHER FULL ROUND	ALL TYPES	20.00
13,22	D23111100	BOTTOM PLATE ASSEMBLY	ALL TYPES	430.00
14	D01091020	CENTER PINION	ALL TYPES	145.00
16	D01092040	TENSION SPRING	ALL TYPES	25.00
17	D23111600	RACK PINION & WHEEL ASSLY.	K09,K10,K11,K12,K13,K14,K17	320.00
	D25091600	RACK PINION & WHEEL ASSLY.	K61, K62	320.00
	D25151600	RACK PINION & WHEEL ASSLY.	K63, K64	320.00
18	D23111700	RACK INTER PINION & WHEEL ASSLY.	ALL TYPES	200.00
19	D23111200	BACKLASH SPINDLE & WHEEL ASSLY.	K09,K10,K11,K12,K61,K62.	100.00
	D23151200	BACKLASH SPINDLE & WHEEL ASSLY.	K13,K14,K63,K64	200.00
	D28071200	BACKLASH SPINDLE & WHEEL ASSLY.	K17	100.00
20	D01091300	BACKLASH HAIR SPRING	ALL TYPES	90.00
21	D01001010	BACKLASH HAIR SPRING PIN	ALL TYPES	30.00
23	D01009101	TUNGSTEN CARBIDE BALL ANVIL	ALL TYPES	120.00
24	D11012010	PLUNGER	K63,K64	600.00
	D23002010	PLUNGER	K11,K12	440.00
	D23012010	PLUNGER	K09,K10	440.00
	D23082010	PLUNGER	K13,K14	600.00
	D25002010	PLUNGER	K61,K62	440.00
	D28002010	PLUNGER	K17	440.00
25	D01092020	PLUNGER GUIDE PIN	ALL TYPES	25.00
26	D01002050	PLUNGER STOP SCREW	ALLTYPES	20.00
27	-	-	-	-
28	-	-	-	-
29	D23112100	CASE BEARING ASSEMBLY	ALL TYPES	250.00
30	D01009070	BEZEL CLAMP	ALL TYPES	30.00
31	D01002060	BEZEL CLAMP KNOB	ALL TYPES	30.00
32	D01099910	CENTRE LUGBACK COVER	ALL TYPES	80.00
	D01002061	TOP SCREW	ALL TYPES	30.00
	D01009570	TOP CAP	ALL TYPES	40.00
	D01381800	BACKLASH INTER PINION & WHEEL ASSLY.	K09,K10,K11,K12,K13,K14,K61,K62,K63, K64	125.00

Spare parts list for :

Type J72, J76.

REF NO.	PART NO.	PART DESCRIPTION	USED ON	UNIT RATE ₹
1	D01149060	TOLERANCE POINTER (RIGHT SIDE)	J72/J76	275.00
	D01149061	TOLERANCE POINTER (LEFT SIDE)	J72/J76	275.00
2	D01149050	CRYSTAL	J72/J76	125.00
3	D01144020	DIAL SPACER	J72/J76	200.00
4	D01145000	LARGE POINTER ASSLY.	J72/J76	85.00
5	D01006000	SMALL POINTER ASSLY.	J72/J76	85.00
6	D01149040	BEZEL	J72/J76	430.00
7		OUTER DIAL	GIVE TYPE NO.	160.00
8		INNER DIAL	GIVE TYPE NO.	195.00
9	D01003010	O RING	J72/J76	20.00
10	U90100301	CHEESE HEAD SCREW	J72/J76	20.00
11	D01009020	BEZEL RETAINING WASHER HALF ROUND	J72/J76	20.00
12	D01009010	BEZEL RETAINING WASHER FULL ROUND	J72/J76	20.00
13	D01141100	BOTTOM PLATE ASSEMBLY	J72	255.00
	D11041100	BOTTOM PLATE ASSEMBLY	J76	255.00
14	D01001020	CENTER PINION	J72	100.00
	D11001020	CENTER PINION	J76	100.00
15	D01141040	CENTER PLATE	J72	70.00
	D11041040	CENTER PLATE	J76	70.00
16	D01142040	TENSION SPRING	J72/J76	35.00
17	D01042070	RETAINING SCREW FOR TENSION SPRING	J72/J76	20.00
18	D01041600	RACK PINION & WHEEL ASSLY.	J72	255.00
	D11001600	RACK PINION & WHEEL ASSLY.	J76	255.00
19	D01001200	BACKLASH SPINDLE & WHEEL ASSLY.	J72	110.00
	D11041200	BACKLASH SPINDLE & WHEEL ASSLY.	J76	110.00
20	D01001300	BACKLASH HAIR SPRING	J72/J76	90.00
21	D01001010	BACKLASH HAIR SPRING PIN	J72/J76	30.00
22	-	--	--	-
23	D01141030	TOP PLATE	J72/J76	55.00
24	D01009101	TUNGSTEN CARBIDE BALL ANVIL	J72/J76	120.00
25	D01142010	PLUNGER	J72	510.00
	D11042010	PLUNGER	J76	510.00
26	D01142020	PLUNGER GUIDE PIN	J72/J76	25.00
27	D01142030	PLUNGER GUIDE	J72/J76	385.00
28	D01142070	PLUNGER GUIDE SCREW	J72/J76	20.00
29	-	--	--	-
30	D01142100	CASE BEARING ASSEMBLY	J72/J76	950.00
31	D01009070	BEZEL CLAMP	J72/J76	30.00
32	D01002060	BEZEL CLAMP KNOB	J72/J76	30.00
	D01142060	TOP KNOB	J72/J76	30.00
33	D01149910	CENTRE LUGBACK COVER	J72/J76	155.00
	D01149911	FLAT BACK	J72/J76	155.00
	D01141800	BACKLASH INTER PINION & WHEEL ASSLY.	J72	125.00
	D11041800	BACKLASH INTER PINION & WHEEL ASSLY.	J76	125.00
	A95010007	O RING FOR TOP KNOB	J72/J76	20.00
	D01142080	WASHER FOR TOP KNOB	J72/J76	20.00
	D01142210	PULLEY	J72/J76	40.00
	D01142220	PULLEY PIVOT PIN	J72/J76	20.00

DIAL GAUGE SPARES



Spare parts list for :

Type 301, 302, 303, 304, 305, 306, 307, 308

301A, 302A, 303A, 304A, 305A, 306A, 307A, 308A, 301L, 302L, 305L, 306L, 301AL, 302AL, 305AL, 306AL

REF NO.	PART NO.	PART DESCRIPTION	USED ON	UNIT RATE ₹
1	D30004020	CRYSTAL	301,302,303,304, 301A,302A,303A,304A 301L, 302L, 301AL, 302AL	35.00
	D40001020	CRYSTAL	305,306,307,308, 305A,306A,307A,308A 305L, 306L, 305AL, 306AL	40.00
2	D30004010	BEZEL	301,302,303,304, 301A,302A,303A,304A 301L, 302L, 301AL, 302AL	80.00
	D30014010	BEZEL	305,306,307,308, 305A,306A,307A,308A 305L, 306L, 305AL, 306AL	100.00
3	D30003000	POINTER ASSEMBLY	301,302,303,304, 301A,302A,303A,304A 301L, 302L, 301AL, 302AL	155.00
	D30013000	POINTER ASSEMBLY	305,306,307,308, 305A,306A,307A,308A 305L, 306L, 305AL, 306AL	155.00
4		DIAL (301,302,303,304,301A,302A,303A,304A 301L, 302L, 301AL, 302AL)	GIVE TYPE NO.	70.00
		DIAL (305,306,307,308,305A,306A,307A,308A 305L, 306L, 305AL, 306AL)	GIVE TYPE NO.	80.00
5	D30009040	BEZEL RETAINING 'C' CLIP	301,302,303,304,301A,302A,303A,304A 301L, 302L, 301AL, 302AL	20.00
	D30019040	BEZEL RETAINING 'C' CLIP	305,306,307,308,305A,306A,307A,308A 305L, 306L, 305AL, 306AL	25.00
6	D30009020	DIAL SPRING	301,302,303,304,301A,302A,303A,304A 301L, 302L, 301AL, 302AL	40.00
	D30019020	DIAL SPRING	305,306,307,308,305A,306A,307A,308A 305L, 306L, 305AL, 306AL	55.00
7	U90120200	TOP PLATE CSK SCREW	ALL TYPES	20.00
8	D30002020	CENTER PINION	301,302,305,306,301A,302A,305A,306A 301L, 302L, 305L, 306L,301AL, 302AL, 305AL, 306AL	100.00
	D34002020	CENTER PINION	303,304,307,308,303A,304A,307A,308A	230.00
9	D30002030	BACKLASH HAIR SPRING	ALL TYPES	140.00
10	D30002200	BACKLASH SPINDLE & WHEEL ASSLY.	ALL TYPES	100.00
11	D30009050	BEZEL BODY SCREW	ALL TYPES	20.00
12	D30002010	BACKLASH SPRING RETAINING CLIP	ALL TYPES	30.00
13	D30009010	BEZEL BODY COVER SHIM	ALL TYPES	35.00
14	D30001140	MAIN BODY SCREW	ALL TYPES	20.00
15	D30001600	BALL RACE ASSEMBLY	ALL TYPES	230.00
16	D30001700	JEWEL HOUSING ASSEMBLY	301,302,305,306,301A,302A,305A,306A	100.00
	D30001600	BALL RACE ASSEMBLY	303,304,307,308,303A,304A,307A,308A	230.00
17	D30001710	LOCKING RING	301,302,305,306,301A,302A,305A,306A	55.00
18	D30001010	RETURN SPRING (SHORT)	301,302,305,306,301A,302A,305A,306A	30.00
	D34001010	RETURN SPRING (LONG)	303,304,307,308,303A,304A,307A,308A	40.00
19	D30001030	RETURN SPRING SCREW	ALL TYPES	30.00
20	D30001320	LEVER	ALL TYPES	255.00

REF NO.	PART NO.	PART DESCRIPTION	USED ON	UNIT RATE ₹
21	D30001500	FIRST PINION ASSEMBLY	301,302,305,306,301A,302A,305A,306A	100.00
	D34001500	FIRST PINION ASSEMBLY	303,304,307,308,303A,304A,307A,308A	300.00
	D30031500	FIRST PINION ASSEMBLY	301L, 302L, 305L, 306L, 301AL, 302AL, 305AL, 306AL	165.00
22	D30001400	SEGMENT SPINDLE ASSEMBLY	301,302,305,306,301A,302A,305A,306A	200.00
	D34001400	SEGMENT SPINDLE ASSEMBLY	303,304,307,308,303A,304A,307A,308A	410.00
	D30031400	SEGMENT SPINDLE ASSEMBLY	301L, 302L, 305L, 306L, 301AL, 302AL, 305AL, 306AL	275.00
23	D30001330	STYLUS SPINDLE	ALL TYPES	385.00
	D30019060	SPACER	305,306,307,308,305A,306A,307A,308A 305L, 306L, 305AL, 306AL	70.00
24	D32009934	DIA 2.0 MM CARBIDE BALL STYLUS	301,305,301A,305A	280.00
	D30009934	DIA 2.0 MM CARBIDE BALL STYLUS	302,306,302A,306A	280.00
	D35009934	DIA 2.0 MM CARBIDE BALL STYLUS	303,307,303A,307A	320.00
	D34009934	DIA 2.0 MM CARBIDE BALL STYLUS	304,308,304A,308A	320.00
	D30039934	DIA 2.0 MM CARBIDE BALL STYLUS WITH EXTENSION	302L, 306L, 302AL, 306AL	530.00
	D32029934	DIA 2.0 MM CARBIDE BALL STYLUS WITH EXTENSION	301L, 305L, 301AL, 305AL	530.00
25	D37003000	DOVTAIL & SPIGOT ASSLY DIA.8 MM	ALL TYPES	230.00
26	D37003004	DOVTAIL & SPIGOT ASSLY DIA. 4 MM	ALL TYPES	230.00
27	D37002001	HEIGHT GAUGE ADAPTOR ASSLY.	ALL TYPES	255.00
28	D37001003	UNIVERSAL CLAMP ASSLY.	ALL TYPES	350.00
29	D32009935	DIA 1.0 MM CARBIDE BALL STYLUS	301,305,301A,305A	320.00
	D30009935	DIA 1.0 MM CARBIDE BALL STYLUS	302,306,302A,306A	320.00
	D35009935	DIA 1.0 MM CARBIDE BALL STYLUS	303,307,303A,307A	320.00
	D34009935	DIA 1.0 MM CARBIDE BALL STYLUS	304,308,304A,308A	320.00
	D30001020	WASHER FOR RETURN SPRING	ALL TYPES	20.00
	D30001340	BUSH FOR STYLUS SPINDLE	----	25.00

CALIPERS

DIGITAL CALIPERS

PRODUCT CODE	DESCRIPTION	UNIT RATE ₹
E62219000	BAKER Water Resistant Digital Caliper Type ZD10 , with metric & inch capability and RS232 data output, conforming to IP67. Reading : 0.01 mm / 0.0005 inch Range : 0 - 150 mm / 0 - 6 inch	7,850.00
E62229000	BAKER Water Resistant Digital Caliper Type ZD20 , with metric & inch capability and RS232 data output, conforming to IP67. Reading : 0.01 mm / 0.0005 inch Range : 0 - 200 mm / 0 - 8 inch	10,430.00
E62239000	BAKER Water Resistant Digital Caliper Type ZD30 , with metric & inch capability and RS232 data output, conforming to IP67. Reading : 0.01 mm / 0.0005 inch Range : 0 - 300 mm / 0 - 12 inch	13,010.00
E62211005	BAKER Proximity Cable for RS232 interface suitable for BAKER ZD series IP67 Digital Calipers	6,180.00
E62211004	BAKER Proximity Cable for USB interface suitable for BAKER ZD series IP67 Digital Calipers	6,180.00
E62189000	BAKER Digital Caliper Type SDN10 , with metric & inch capability. Reading : 0.01 mm / 0.0005 inch Range : 0 - 150 mm / 0 - 6 inch	4,930.00
E62199000	BAKER Digital Caliper Type SDN20 , with metric & inch capability. Reading : 0.01 mm / 0.0005 inch Range : 0 - 200 mm / 0 - 8 inch	6,540.00
E62209000	BAKER Digital Caliper Type SDN30 , with metric & inch capability. Reading : 0.01 mm / 0.0005 inch Range : 0 - 300 mm / 0 - 12 inch	8,600.00
E62319000	BAKER IP66 Large Diameter Digital Caliper Type SDN50 , with metric & inch capability. Reading : 0.01 mm / 0.0005 inch Range : 0 - 500 mm / 0 - 20 inch	25,975.00
E62329000	BAKER IP66 Large Diameter Digital Caliper Type SDN60 , with metric & inch capability. Reading : 0.01 mm / 0.0005 inch Range : 0 - 600 mm / 0 - 24 inch	35,210.00
E62339000	BAKER IP66 Large Diameter Digital Caliper Type SDN80 , with metric & inch capability. Reading : 0.01 mm / 0.0005 inch Range : 0 - 800 mm / 0 - 32 inch	45,255.00
E62349000	BAKER IP66 Large Diameter Digital Caliper Type SDN100 , with metric & inch capability. Reading : 0.01 mm / 0.0005 inch Range : 0 - 1000 mm / 0 - 40 inch	66,095.00
E64019000	BAKER Digital Caliper Type ED10 , with metric & inch capability. Reading : 0.01 mm / 0.0005 inch Range : 0 - 150 mm / 0 - 6 inch	3,460.00
E64029000	BAKER Digital Caliper Type ED20 , with metric & inch capability. Reading : 0.01 mm / 0.0005 inch Range : 0 - 200 mm / 0 - 8 inch	5,215.00
E64039000	BAKER Digital Caliper Type ED30 , with metric & inch capability. Reading : 0.01 mm / 0.0005 inch Range : 0 - 300 mm / 0 - 12 inch	7,060.00

DIGITAL DEPTH CALIPERS

E71009000	BAKER Digital Depth Caliper Type DDC10 , with metric & inch capability. Reading : 0.01 mm / 0.0005 inch Range : 0 - 150 mm / 0 - 6 inch	4,950.00
E72009000	BAKER Digital Depth Caliper Type DDC20 , with metric & inch capability. Reading : 0.01 mm / 0.0005 inch Range : 0 - 200 mm / 0 - 8 inch	5,800.00
E73009000	BAKER Digital Depth Caliper Type DDC30 , with metric & inch capability. Reading : 0.01 mm / 0.0005 inch Range : 0 - 300 mm / 0 - 12 inch	10,900.00

DIAL CALIPERS

PRODUCT CODE	DESCRIPTION	UNIT RATE ₹
D85049000	BAKER Dial Caliper Type DC10 with adjustable Bezel. Reading : 0.02 mm Range : 0 - 150 mm	3,100.00
D85059000	BAKER Dial Caliper Type DC20 with adjustable Bezel. Reading : 0.02 mm Range : 0 - 200 mm	5,190.00
D85069000	BAKER Dial Caliper Type DC30 with adjustable Bezel. Reading : 0.02 mm Range : 0 - 300 mm	6,915.00

VERNIER CALIPERS

PRODUCT CODE	DESCRIPTION	UNIT RATE ₹
D85079000	BAKER Vernier Caliper Type VC10 with metric & inch capability Reading : 0.02 mm / 0.001 inch Range : 0 - 150 mm / 0 - 6 inch	1,740.00
D85089000	BAKER Vernier Caliper Type VC20 with metric & inch capability Reading : 0.02 mm / 0.001 inch Range : 0 - 200 mm / 0 - 8 inch	2,775.00
D85099000	BAKER Vernier Caliper Type VC30 with metric & inch capability Reading : 0.02 mm / 0.001 inch Range : 0 - 300 mm / 0 - 12 inch	5,550.00
D85019000	BAKER Vernier Caliper Type VCF10 with fine adjustment and metric & inch capability Reading : 0.02 mm / 0.001 inch Range : 0 - 130 mm / 0 - 5 inch	1,990.00
D85029000	BAKER Vernier Caliper Type VCF20 with fine adjustment and metric & inch capability Reading : 0.02 mm / 0.001 inch Range : 0 - 180 mm / 0 - 7 inch	2,945.00
D85039000	BAKER Vernier Caliper Type VCF30 with fine adjustment and metric & inch capability Reading : 0.02 mm / 0.001 inch Range : 0 - 280 mm / 0 - 11 inch	5,795.00
D85109000	BAKER Vernier Caliper Type VCF45 with fine adjustment and metric & inch capability Reading : 0.02 mm / 0.001 inch Range : 0 - 430 mm / 0 - 17 inch	16,900.00
D85119000	BAKER Vernier Caliper Type VCF60 with fine adjustment and metric & inch capability Reading : 0.02 mm / 0.001 inch Range : 0 - 580 mm / 0 - 23 inch	20,800.00
D85129000	BAKER Vernier Caliper Type VCF80 with fine adjustment and metric & inch capability Reading : 0.02 mm / 0.001 inch Range : 0 - 780 mm / 0 - 31 inch	31,300.00
D85139000	BAKER Vernier Caliper Type VCF100 with fine adjustment and metric & inch capability Reading : 0.02 mm / 0.001 inch Range : 0 - 980 mm / 0 - 39 inch	40,800.00

DIGITAL HEIGHT GAUGES AND ELECTRONIC PROBES



DIGITAL HEIGHT GAUGES

PRODUCT CODE	DESCRIPTION	UNIT RATE ₹
E63029000	BAKER Feed Wheel Type Digital Height Gauge Type DH300 with metric & inch capability, supplied with tungsten carbide tipped scriber. Reading : 0.01 mm / 0.0005 inch Range : 0 - 300 mm / 0 - 12 inch	21,195.00
E63039000	BAKER Feed Wheel Type Digital Height Gauge Type DH600 with metric & inch capability, supplied with tungsten carbide tipped scriber. Reading : 0.01 mm / 0.0005 inch Range : 0 - 600 mm / 0 - 24 inch	40,040.00
E62049000	BAKER Digital Height Gauge Type DH1000 with metric & inch capability, supplied with tungsten carbide tipped scriber. Reading : 0.01 mm / 0.0005 inch Range : 0 - 1000 mm / 0 - 40 inch	61,000.00

VERNIER HEIGHT GAUGES

PRODUCT CODE	DESCRIPTION	UNIT RATE ₹
D90049000	BAKER Vernier Height Gauge Type VH300 mm with metric & inch capability, supplied with tungsten carbide tipped scriber and magnifying glass Reading : 0.02 mm / 0.001 inch Range : 0 - 300 mm / 0 - 12 inch	12,900.00
D90059000	BAKER Vernier Height Gauge Type VH600 mm with metric & inch capability, supplied with tungsten carbide tipped scriber and magnifying glass Reading : 0.02 mm / 0.001 inch Range : 0 - 600 mm / 0 - 24 inch	21,900.00

ELECTRONIC PROBES

PRODUCT CODE	DESCRIPTION	UNIT RATE ₹
E41149000	BAKER Electronic Axial Probe Type 2940 Half-Bridge type inductive probe with 2 Mtr. Length Polyurethane Cable and with Tungsten Carbide Ball Anvil. Range : ± 2 mm	12,000.00
E41219000	BAKER Electronic Axial Probe with Right Angle Cap Type 2940R Half-Bridge type inductive probe with 2 Mtr. Length Polyurethane Cable and with Tungsten Carbide Ball Anvil. Range : ± 2 mm	12,000.00
E41229000	BAKER Electronic Vacuum Retract Axial Probe Type 2940V Half-Bridge type inductive probe with 2 Mtr. Length Polyurethane Cable and with Tungsten Carbide Ball Anvil. Range : ± 2 mm	16,790.00
E41289000	BAKER Electronic Short Body (60mm) Axial Probe Type 2910 Half-Bridge type inductive probe with 2 Mtr. Length Polyurethane Cable and with Tungsten Carbide Ball Anvil. Range : ± 1 mm	14,410.00
E41329000	BAKER Electronic Axial Probe Type 2940L LVDT type inductive probe with 2 Mtr. Length Polyurethane Cable and with Tungsten Carbide Ball Anvil. Range : ± 2 mm	12,000.00
E41369000	BAKER Electronic Axial Probe with Right Angle Cap Type 2940RL LVDT type inductive probe with 2 Mtr. Length Polyurethane Cable and with Tungsten Carbide Ball Anvil. Range : ± 2 mm	12,000.00
E41349000	BAKER Electronic Vacuum Retract Axial Probe Type 2940VL LVDT type inductive probe with 2 Mtr. Length Polyurethane Cable and with Tungsten Carbide Ball Anvil. Range : ± 2 mm	16,790.00
E41379000	BAKER Electronic Short Body (60mm) Axial Probe Type 2910L LVDT type inductive probe with 2 Mtr. Length Polyurethane Cable and with Tungsten Carbide Ball Anvil. Range : ± 1 mm	14,410.00
E43009000	BAKER Electronic Lever Probe Type 2952 with 2 Mtr. Length Polyurethane Cable	56,650.00
E433590003	BAKER Electronic Axial Probe Type 2950 Half-Bridge type inductive probe with 2 Mtr. Length Polyurethane Cable and with Tungsten Carbide Ball Anvil. Range : ± 5 mm	21,630.00
E41399000	BAKER Electronic Axial Probe Type 2900 (Dia 6mm) Half-Bridge type inductive probe with 2 Mtr. Length Polyurethane Cable and with Tungsten Carbide Ball Anvil. Range : ± 0.3 mm	16,990.00

NOMINAL DIAMETER RANGE						UNIT RATE ₹
MM			INCH			
Above	Upto & Including		Above	Upto & Including		
1.5	-	2.5	0.06	-	0.10	2825.00
2.5	-	5.0	0.10	-	0.20	1840.00
5.0	-	20.0	0.20	-	0.79	1245.00
20.0	-	40.0	0.79	-	1.57	1275.00
40.0	-	60.0	1.57	-	2.36	1450.00
60.0	-	80.0	2.36	-	3.15	2260.00
80.0	-	100.0	3.15	-	3.94	3070.00
100.0	-	120.0	3.94	-	4.72	3770.00
120.0	-	140.0	4.72	-	5.51	4635.00
140.0	-	150.0	5.51	-	5.90	5530.00
150.0	-	160.0	5.90	-	6.30	6705.00
160.0	-	170.0	6.30	-	6.70	7875.00
170.0	-	180.0	6.70	-	7.09	8425.00
180.0	-	190.0	7.09	-	7.48	9450.00
190.0	-	200.0	7.48	-	7.87	10045.00
200.0	-	212.0	7.87	-	8.35	12585.00
212.0	-	224.0	8.35	-	8.82	14245.00
224.0	-	236.0	8.82	-	9.29	18360.00
236.0	-	250.0	9.29	-	9.84	20155.00
250.0	-	265.0	9.84	-	10.43	25210.00
265.0	-	280.0	10.43	-	11.02	28600.00
280.0	-	300.0	11.02	-	11.81	32305.00
300.0	-	315.0	11.81	-	12.40	36625.00

- "Certificate of Calibration" is provided with each gauge, traceable to National/International Length Standards.
- For NABL (National Accreditation Board for Testing & Calibration Laboratories) Certification, extra charges will be applicable, which can be made available on request. For NABL Scope of Accreditation, please refer page 27 & 28

Technical Notes :

1. Master Setting Rings will be manufactured as per DIN - 2250C.
2. Technical supply conditions as per DIN 2239, with surface finish as per Class - I.
3. Made from Oil Hardening Non-Shrinking Gauge Steel Hardened & Tempered to 700 HV.
4. Sub-zero treated at -80° C for dimensional stability.
5. Calibrated at 20° C under Standards Room conditions.
6. Actual dimensions duly etched.

MASTER SETTING DISCS

NOMINAL DIAMETER RANGE						UNIT RATE ₹
MM			INCH			
Above	Upto & Including		Above	Upto & Including		
3.0	-	10.0	0.12	-	0.39	975.00
10.0	-	24.0	0.39	-	0.95	745.00
24.0	-	40.0	0.95	-	1.58	875.00
40.0	-	65.0	1.58	-	2.56	1010.00
65.0	-	80.0	2.56	-	3.15	1165.00
80.0	-	100.0	3.15	-	3.94	1360.00
100.0	-	120.0	3.94	-	4.72	1685.00
120.0	-	140.0	4.72	-	5.51	2370.00
140.0	-	150.0	5.51	-	5.90	3090.00
150.0	-	160.0	5.90	-	6.30	3575.00
160.0	-	175.0	6.30	-	6.89	3945.00
175.0	-	190.0	6.89	-	7.48	4525.00
190.0	-	200.0	7.48	-	7.87	5215.00

- "Certificate of Calibration" is provided with each gauge, traceable to National/International Length Standards.
- For NABL (National Accreditation Board for Testing & Calibration Laboratories) Certification, extra charges will be applicable, which can be made available on request. For NABL Scope of Accreditation, please refer page 27 & 28

Technical Notes :

1. The Gauge blanks will be as per ANSI-B47.1 - 1988.
2. Tolerances followed as per Class - X of ASME B89.1.5 - 1998.
3. Made from Oil Hardening Non-Shrinking Gauge Steel Hardened & Tempered to 700 HV.
4. Sub-zero treated at -80° C for dimensional stability.
5. Calibrated at 20° C under Standards Room conditions.
6. Actual dimensions duly etched.

TERMS & CONDITIONS (for products)

1. PRICE : Ex-Works, Pune.
2. PACKING & FORWARDING : EXTRA @ 3%
3. GST : Extra as applicable.
4. PAYMENT : 25% Advance alongwith order and balance against Proforma Invoice.
5. DESPATCH : Courier Service.
6. FREIGHT : Extra at Actual.
7. INSURANCE : To be arranged by you.
8. This price list is subject to alteration without any notice & cancels all our previous price lists.

CALIBRATION CHARGES

- Calibration Charges mentioned below (Page 23 to 25) are for providing our standard Certificate of Calibration with each gauge traceable to National / International Length Standards.
- However, for providing NABL (National Accreditation Board for Testing & Calibration Laboratories) Certification (which can be made available on request), 25% extra charges will be applicable on the charges mentioned below.
- For economical transaction we need a minimum order value of Rs. 500/-. Hence for order value of less than Rs. 500/-, Handling charges of Rs. 250/- will be applicable extra.

CALIBRATION CHARGES FOR MASTER SETTING RINGS

NOMINAL DIAMETER RANGE						UNIT RATE ₹
MM			INCH			
Above	Upto & Including		Above	Upto & Including		
1.0	-	1.5	0.04	-	0.06	410.00
1.5	-	6.0	0.06	-	0.24	300.00
6.0	-	30.0	0.24	-	1.18	275.00
30.0	-	60.0	1.18	-	2.36	385.00
60.0	-	80.0	2.36	-	3.15	495.00
80.0	-	100.0	3.15	-	3.94	600.00
100.0	-	120.0	3.94	-	4.72	660.00
120.0	-	200.0	4.72	-	7.87	825.00
200.0	-	315.0	7.87	-	12.40	1,320.00

CALIBRATION CHARGES FOR MASTER SETTING DISCS / PLAIN PLUG GAUGES

NOMINAL DIAMETER RANGE						UNIT RATE ₹
MM			INCH			
Above	Upto & Including		Above	Upto & Including		
1.0	-	65.0	0.04	-	2.56	275.00
65.0	-	100.0	2.56	-	3.94	385.00
100.0	-	200.0	3.94	-	7.87	550.00

CALIBRATION CHARGES FOR PLAIN TAPER GAUGES (MALE / FEMALE)

NOMINAL DIAMETER RANGE						UNIT RATE ₹
MM			INCH			
Above	Upto & Including		Above	Upto & Including		
4.0	-	25.0	0.16	-	0.98	1,320.00
25.0	-	50.0	0.98	-	1.97	1,870.00
50.0	-	75.0	1.97	-	2.95	2,750.00
75.0	-	100.0	2.95	-	3.94	3,520.00
100.0	-	120.0	3.94	-	4.72	4,070.00

- Calibration of Plain Taper Gauges will be done at two levels (Major & Minor Dias.)
- Internal taper measurement will be done upto diameter 100mm only.
- Internal taper calibration is not covered under NABL Accreditation.
- Calibration charges External / Internal Taper Gauges above size 120mm can be quoted on request.

CALIBRATION CHARGES

CALIBRATION CHARGES FOR ROUNDNESS MEASUREMENT (INTERNAL & EXTERNAL DIAMETERS)

NOMINAL DIAMETER RANGE					UNIT RATE ₹	
MM			INCH			
Above	Upto & Including		Above	Upto & Including		
3.0	-	315.0	0.12	-	12.40	2200.00

- Maximum weight of the Master should not exceed 18 Kgs.
- Roundness will be checked at one level. If roundness is required at more than one level, charges will be 25% extra of the basic charge per level.

CALIBRATION CHARGES FOR ROUNDNESS MASTERS

DESCRIPTION	UNIT RATE ₹
ROUNDNESS MASTERS	2,200.00

CALIBRATION CHARGES FOR SURFACE FINISH MEASUREMENT / ROUGHNESS MASTERS

DESCRIPTION	UNIT RATE ₹
ROUGHNESS MASTER (UPTO 0.006MM Ra, ONLY UNDER NABL)	1650.00 Per Surface
SURFACE ROUGHNESS MEASUREMENT	550.00 Per Parameter

CALIBRATION CHARGES FOR DIAL GAUGES

DESCRIPTION	UNIT RATE ₹
PLUNGER TYPE DIAL GAUGES	220.00
LEVER TYPE DIAL GAUGES	440.00
DIAL BORE GAUGES (18 - 300 mm)	770.00
DIAL THICKNESS GAUGES	220.00

CALIBRATION CHARGES FOR ELECTRONIC PRODUCTS

DESCRIPTION	UNIT RATE ₹
TWIN CHANNEL ELECTRONIC COMPARATOR.	2,475.00
SINGLE CHANNEL ELECTRONIC COMPARATOR.	1,650.00

CALIBRATION CHARGES FOR DIGITAL DIAL GAUGES

DESCRIPTION	UNIT RATE ₹
DIGITAL DIAL GAUGES	
Range : 12.5 mm	550.00
Range : 25.0 mm	825.00
Range : 50.0 mm	1,100.00

CALIBRATION CHARGES FOR DIGITAL CALIPERS / DIAL CALIPERS / VERNIER CALIPERS

DESCRIPTION	UNIT RATE ₹
DIGITAL CALIPERS / DIAL CALIPERS / VERNIER CALIPERS	
Range : 0 - 150 mm	550.00
Range : 0 - 200 mm	550.00
Range : 0 - 300 mm	660.00

CALIBRATION CHARGES FOR BAKER HEIGHT GAUGES (WITH NABL ACCREDITATION CERTIFICATE)

DESCRIPTION	UNIT RATE ₹
BAKER HEIGHT GAUGES	
Baker Digital Height Gauge - Type DH 300	950.00
Baker Digital Height Gauge - Type DH 600	1250.00
Baker Vernier Height Gauge - Type VH 300	950.00
Baker Vernier Height Gauge - Type VH 600	1250.00

CALIBRATION CHARGES FOR THREE POINT MICROMETERS (WITH NABL ACCREDITATION CERTIFICATE)

DESCRIPTION	UNIT RATE ₹
Range : 6 - 25 mm	935.00
Range : 25 - 50 mm	1,100.00
Range : 50 - 100 mm	1,320.00
Range : 100 - 200 mm	1,650.00
Range : 200 - 300 mm	2,750.00

CALIBRATION CHARGES FOR SLIP GAUGES

DESCRIPTION	UNIT RATE ₹
SLIP GAUGE CALIBRATION RANGE 0.5 TO 100 MM (METRIC ONLY)	80.00 EACH SLIP

TERMS & CONDITIONS (for services)

1. PRICE : Ex-Works, Pune.
2. PACKING & FORWARDING : Extra as applicable.
3. DESPATCH : Courier Service / Speed Post.
4. FREIGHT : Extra at Actual.
5. GST : Extra as applicable.
6. PAYMENT : Full payment to be made along with order / against proforma Invoice.
7. INSURANCE : To be arranged by you.
8. This price list is subject to alteration without any notice & cancels all our previous price lists.

There is little left to emphasize the importance of calibration of all the Monitoring & Measuring Devices used by you to achieve your product quality. Reliability in the calibration is one fact that can make your product a winner in today's competitive world.

We at BAKER understand and realize this very well, as this also is applicable to us. Because of this we have created a Standards Laboratory wherein care has been taken to ensure that all the required parameters for carrying out a reliable calibration are addressed & complied with appropriate Measurement technology and application of Metrology principles. Our "**Passion for Precision**" instills the Confidence in our Calibration -

OUR STANDARDS ROOM



77 Cubic Meters of Controlled environment houses the calibration equipment

- 20 +/- 1° Celsius with extremely low Temperature gradient.
- Humidity 50 +/- 5 % -- To achieve this the environment is humidified and then de-humidified to the correct value.
- Better than 1,00,000 Class Dust Count (0.0005mm particle size) with online Electrostatic Precipitator with Automatic cleansing.
- Illumination is maintained 700 Lux at the point of measurement.

Care taken to ensure the above environmental parameters:

- Air velocity is maintained at 30 feet per minute to ensure uniformity of temperature. 15% air inlet @ of 12,000 cfm of air with 15% fresh air continuous intake.
- Extensive insulation against external ingress of heat/cold and humidity
- Antistatic Flooring, Aprons and anti-flaking paint used to minimise dust.
- Double glazed glass vacuumised partitions used to prevent heat and sound conduction.
- Trench all around to avoid surface level high frequency vibrations from the shop floor. Extremely rigid tables with Granite Surface plates used for keeping the Calibration equipment with anti vibration pads to ensure vibration level is maintained with in 0.001mm peak to peak.
- **Most importantly the environment is maintained 24x7, 365 days a year.**

Our equipment consists of:

- Gauge Block Calibration Center from Feinmess, Germany with a unique patented handling system for the slips during calibration to avoid even the minutest of scratches.
- SIP 550M Computer aided Universal Calibration and Measuring Machine with a finest resolution of 0.00001mm and two Carl Zeiss Universal Horizontal Metroscopes for calibration of Masters.
- Rank Taylor Hobson Talyrond 210 Roundness measuring machine
- Rank Taylor Hobson Surtronic 4+ surface finish analyzer.
- Sigma high precision electronic outside diameter calibration comparator.
- Co-ordinate Measuring Machine - DEA make model Micra 4.5.3.
- Basic standards - Gauge Block sets 'K' & 'O' Grade, Master Setting Rings (SIP & BAKER make)
- We are maintaining Traceability to National & International Standards as an ongoing exercise with all our standards being periodically calibrated from either Metas - Switzerland or from NPL - Delhi.

The laboratory is NABL accredited inline with ISO/IEC 17025-2005 "General Requirements for the Competence of Testing & Calibration Laboratories". For Scope of Accreditation, please refer page 29 & 30 of this price list.



**National Accreditation Board for
Testing and Calibration Laboratories**
(A Constituent Board of Quality Council of India)



CERTIFICATE OF ACCREDITATION

BAKER GAUGES INDIA PVT. LTD. (BMI DIVISION)

has been assessed and accredited in accordance with the standard

ISO/IEC 17025:2005

"General Requirements for the Competence of Testing & Calibration Laboratories"

for its facilities at

33-1-2, Nagar Road, Pune, Maharashtra

in the field of

CALIBRATION

Certificate Number CC-2764 (in lieu of C-0081)

Issue Date 03/07/2018

Valid Until 02/07/2020

This certificate remains valid for the Scope of Accreditation as specified in the annexure subject to continued satisfactory compliance to the above standard & the relevant requirements of NABL.

(To see the scope of accreditation of this laboratory, you may also visit NABL website www.nabl-india.org)

Signed for and on behalf of NABL



89076970200020000533

Anil Relia
Chief Executive Officer



National Accreditation Board for Testing and Calibration Laboratories

(A Constituent Board of Quality Council of India)



SCOPE OF ACCREDITATION

Laboratory Baker Gauges India Pvt. Ltd. (BMI Division), 33-1-2, Nagar Road, Pune, Maharashtra

Accreditation Standard ISO/IEC 17025: 2005

Certificate Number CC-2764 (in lieu of C-0081)

Page 1 of 2

Validity 03.07.2018 to 02.07.2020

Last Amended on 04.07.2018

Sl.	Quantity Measured / Instrument	Range/Frequency	Calibration Measurement Capability (\pm)	Remarks
MECHANICAL CALIBRATION				
I. DIMENSION (BASIC MEASURING INSTRUMENT, GAUGE ETC.)				
1.	Ring Gauges Internal Diameter ⁵	\varnothing 1.0 mm to \varnothing 50 mm \varnothing 50 mm to \varnothing 100 mm \varnothing 100 mm to \varnothing 200 mm \varnothing 200 mm to \varnothing 400 mm	0.62 μ m 0.70 μ m 1.2 μ m 2.0 μ m	Using Reference Ring & SIP550 ULM
2.	Snap Gauges ⁵	7.0 mm to 100 mm 100 mm to 200 mm 200 mm to 400 mm	0.70 μ m 1.2 μ m 1.9 μ m	Using Reference Ring & SIP550 ULM
3.	External Diameter ⁵ (Setting Disc, Plug Gauge, Height Masters)	\varnothing 1.0 mm to \varnothing 100 mm \varnothing 100 mm to \varnothing 200 mm \varnothing 200 mm to \varnothing 400 mm	0.7 μ m 0.76 μ m 2.4 μ m	Using Reference Gauge Block & Electronic Comparator Using Reference Gauge Block & ULM
4.	Plunger Type Dial Gauges, Plunger Type Digital Indicators ⁵ L.C.: 0.001 mm	Up to 25.4 mm	0.86 μ m	Using Electronic Dial Gauge Calibrator
5.	Lever Type Dial Gauges ⁵ L.C.: 0.001 mm	Up to 1 mm	0.92 μ m	Using Dial Gauge Calibrator
6.	Bore Gauge ⁵	Up to 1.2 mm (For Transmission Error)	1.4 μ m	Using Dial Gauge Calibrator & Digital Indicator
7.	Electronic Probe with DRO ⁵ L.C.: 0.0001 mm	\pm 2.0 mm	0.15 μ m	Using Reference Gauge Block & Comparator Stand

Dheeraj

Dheeraj Chawla
Convenor

Avijit

Avijit Das
Program Manager



National Accreditation Board for Testing and Calibration Laboratories

(A Constituent Board of Quality Council of India)



SCOPE OF ACCREDITATION

Laboratory Baker Gauges India Pvt. Ltd. (BMI Division), 33-1-2, Nagar Road, Pune, Maharashtra

Accreditation Standard ISO/IEC 17025: 2005

Certificate Number CC-2764 (in lieu of C-0081)

Page 2 of 2

Validity 03.07.2018 to 02.07.2020

Last Amended on 04.07.2018

Sl.	Quantity Measured / Instrument	Range/Frequency	Calibration Measurement Capability (±)	Remarks
8.	Caliper [§] (Vernier/ Dial/ Digital) L.C.: 0.010 mm	0 to 300 mm 0 to 600	12.5 µm 8.0 µm	Using Caliper Checker Using Gauge Block
9.	Height Gauge [§] L.C.: 0.010 mm	0 to 600 mm	8.0 µm	Using Gauge Block Set & Surface Plate
10.	3 Point Micrometer [§] L.C.: 0.001 mm	Ø6 mm to 300 mm	1.9 µm	Using Master Ring Gauges
11.	Internal/External Plain Taper Gauge [§]	Up to Ø300 mm Taper diameter Diameter at end Taper (Half) Angle	3.9 µm 5.4 µm $\frac{1}{2} * \tan^{-1} \left(\frac{(8 * U_{TD} * L)}{(4 * (L^2 - U_{TD}^2) + (D_2 - D_1)^2)} \right)$ in radian Where U _{TD} = UOM of taper diameter in mm. L = taper cone length in mm, D ₂ = Major diameter in mm, D ₁ = Minor diameter in mm	Using CMM
12.	Surface Roughness Ra [§]	Parameter : Ra Up to 0.006 mm	6.8% of the indicated value	Using Roughness Tester & Reference Roughness Masters

* Measurement Capability is expressed as an uncertainty (±) at a confidence probability of 95%

§ Only in Permanent Laboratory

Dheeraj Chawla
Convenor

Avijit Das
Program Manager



BAKER GAUGES INDIA PRIVATE LIMITED

HEAD OFFICE & FACTORY

37 - 40, NAGAR ROAD, PUNE - 411 014

☎ : 020 - 66250 600 FAX : 020 - 66250 786

E-mail : bakerhip@bakergauges.com

Website : www.bakergauges.com

HIP DIVISION

BAKER

...a passion for precision

HIP DIVISION PRICE LIST

Page Nos. 29 to 55



DESCRIPTION	PAGE NO.
ISO METRIC THREAD GAUGES	31 - 34
SET OF METRIC THREAD GAUGES (M3 - M12)	35
UNIFIED THREAD GAUGES	36 - 38
ISO PARALLEL PIPE THREAD GAUGES (BSP)	39
BSPT TAPER THREAD GAUGES	39
3/4 NGT TAPER THREAD GAUGES	40
NPT TAPER THREAD GAUGES	41
NPTF TAPER THREAD GAUGES	41
ANPT TAPER THREAD GAUGES	41
EXTERNAL MICROMETERS	42 - 43
MICROMETERS WITH INTERCHANGEABLE ANVILS	42 - 43
METRIC EXTERNAL MICROMETER WITH ADD ON EXTENSION ANVILS	42 - 43
MICROMETER HEADS	42 - 43
DEPTH MICROMETERS	42 - 43
SETS OF MECHANICAL MICROMETERS	44
SETS OF DIGITAL MICROMETERS	44
DIGITAL EXTERNAL MICROMETERS WITH / WITHOUT DIA OUTPUT	44
SPECIAL EXTERNAL MICROMETERS	45 - 46
SETTING GAUGES FOR EXTERNAL MICROMETERS	47
SPARES FOR MECHANICAL & DIGITAL MICROMETERS	47 - 49
TERMS & CONDITIONS (for products)	49
CALIBRATION - THREAD GAUGES & PLAIN GAUGES	50
CALIBRATION - MECHANICAL EXTERNAL MICROMETERS	51
CALIBRATION - DIGITAL EXTERNAL MICROMETERS	51
TERMS & CONDITIONS (for services)	51
CALIBRATION SERVICES	52
NABL CERTIFICATE OF ACCREDITATION	54
NABL SCOPE OF ACCREDITATION	55 - 56

Note:

We manufacture all types of special thread gauges like ACME / STUB ACME / TRAPEZOIDAL / BUTTRESS / ROUND / Pg & Specials made to drawings.

ISO METRIC THREAD GAUGES



I. INDIAN STANDARD (IS)

BASIC DIMENSIONS : IS 4218 PART III : 1999
IS 4218 PART IV : 2001

GAUGING PRACTICE : IS 2334 : 2001

II. INTERNATIONAL ORGANIZATION FOR STANDARDIZATION (ISO)

BASIC DIMENSIONS : ISO 724 :1993
: ISO 965-1 : 2013

GAUGING PRACTICE : ISO 1502 : 1996

RIGHT HAND		THREAD PLUGS D/E GO & NOT GO	THREAD RINGS GO OR NOT GO	WCP	RIGHT HAND		THREAD PLUGS D/E GO & NOT GO	THREAD RINGS GO OR NOT GO	WCP		
NOMINAL DIAMETER	PITCH	CLASS 6H ₹	CLASS 6g ₹	CLASS 6g ₹	NOMINAL DIAMETER	PITCH	CLASS 6H ₹	CLASS 6g ₹	CLASS 6g ₹		
1	0.25	5H 2865	6h 9780	3585	8	1.25 1.00 0.75 0.50	1285 1285 1880 2840	1390 1390 2065 4135	1600 1600 2350 3550		
1.1	0.25	5H 2865	6h 9780	3585	9	1.25 1.00 0.75 0.50	1295 1295 1880 2840	1390 1390 2065 4135	1600 1600 2350 3550		
1.2	0.25	5H 2865	6h 9780	3585		10	1.50 1.25 1.00 0.75 0.50	1315 1285 1285 1880 2840	1430 1390 1390 2065 4135	1645 1600 1600 2350 3550	
1.4	0.30	5H 2325	6h 9780	3965			11	1.50 1.25 1.00 0.75 0.50	1315 1285 1285 1880 2840	1430 1390 1390 2065 4135	1845 1800 1800 2630 2630
1.6	0.35	2325	5565	2905	12			1.50 1.00 0.75 0.50	1315 1315 1285 1285 1880 2840	1430 1430 1390 1390 2065 4135	1845 1845 1800 1800 2630 3550
1.8	0.35	2325	5565	2905				13	1.5 1.0	2050 2050	2980 2980
2	0.40 0.25	1530 2280	2575 3680	1910 2850		14	2.0 1.5 1.25 1.0 0.75		1765 1480 1480 1480 2210	2440 1580 1580 1580 3140	2470 2075 2075 2075 3085
2.2	0.45 0.25	1530 2300	2575 3680	1910 2880			15		1.5 1.0	1865 1865	2050 2050
2.3	0.40	1900	2575	2375	16			2.0 1.5 1.0 1.25 0.75	1765 1480 1480 2210 3700	2440 1580 1580 3140 4710	2470 2075 2075 3085 5185
2.5	0.45 0.35	1530 2300	2025 3060	1910 2880				17	1.5 1.0	2005 2005	2535 2535
2.6	0.45	1900	2575	2375		18	2.5 2.0 1.5 1.0		2370 2005 1855 1855	2705 2635 2370 2370	3320 2810 2600 2600
3	0.50 0.35	1285 1880	1390 2065	1600 2350			19		1.5 1.0	2565 2565	3530 3530
3.5	0.60 0.35	1285 1880	1390 2065	1600 2350	20			2.5 2.0 1.5 1.0	2370 2005 1855 1855	3455 3365 2370 2370	3320 2810 2600 2600
4	0.70 0.75 0.50	1285 1880 1880	1390 2065 2065	1600 2350 2350							
4.5	0.75 0.50	1285 1880	1390 2065	1600 2350							
5	0.80 0.75 0.50	1285 1880 1880	1390 2065 2065	1600 2350 2350							
5.5	0.50	1880	2065	2350							
6	1.00 0.75 0.50	1285 1880 2840	1390 2065 4135	1600 2350 3550							
7	1.00 0.75 0.50	1285 1880 2840	1390 2065 4135	1600 2350 3550							

ISO METRIC THREAD GAUGES

RIGHT HAND		THREAD PLUGS D/E GO & NOT GO	THREAD RINGS GO OR NOT GO	WCP	RIGHT HAND		THREAD PLUGS D/E GO & NOT GO	THREAD RINGS GO OR NOT GO	
NOMINAL DIAMETER	PITCH	CLASS 6H ₹	CLASS 6g ₹	CLASS 6g ₹	NOMINAL DIAMETER	PITCH	CLASS 6H ₹	CLASS 6g ₹	
21	1.5	2565	4510	3595	40	3.0	3735	4640	
	1.0	2565	4510	3595		2.0	3010	3930	
22	2.5	2370	3455	3320	42	1.5	2775	3915	
	2.0	2005	3365	2810		1.0	4155	5745	
	1.5	1855	2370	2600		4.5	5350	6060	
	1.0	1855	2370	2600			4.0	5350	5565
24	3.0	2370	3615	3320	45	3.0	4510	5565	
	2.0	2005	3365	2810		2.0	3455	4995	
	1.5	1855	2785	2600		1.5	3180	4785	
	1.0	1855	2785	2600		1.0	4750	7165	
25	2.0	2230	3365	3120	48	4.5	5350	6060	
	1.5	2050	2990	2875		4.0	5350	5565	
	1.0	2050	2990	2875		3.0	4510	5565	
	26	1.5	2290	2990			2.0	3455	4995
1.0		2290	4510		1.5	3180	4785		
27		3.0	3025	4145		1.0	4750	7165	
		2.0	2485	3395		50	5.0	6265	6920
	1.5	2290	2990		4.0		5350	5565	
	1.0	2290	2990		3.0		4510	5565	
28	2.0	2485	3395		2.0		3455	4955	
	1.5	2290	2990		1.5	3180	4785		
	1.0	2290	2990		1.0	4750	7165		
	29	1.5	3425	4510		52	3.0	4510	5565
1.0		3425	4510		2.0		3455	4995	
30		3.5	4490	4640			1.5	3180	4785
		3.0	3735	4640			1.0	4750	7165
	2.0	3010	3985		RIGHT HAND		THREAD PLUGS S/E GO OR NOT GO	THREAD RINGS GO OR NOT GO	
	1.5	2775	3830		NOMINAL DIAMETER	PITCH	CLASS 6H ₹	CLASS 6g ₹	
1.0	3435	4785		55	5.0	3630	8085		
32	2.0	3010	3985			4.0	3630	7450	
	1.5	2775	3830			3.0	2825	7125	
	1.0	4155	5745			2.0	2170	6360	
	33	3.5	4490	4640		1.5	2005	6105	
3.0		3735	4640		56	5.5	3630	8085	
2.0		3010	3985			4.0	3630	7450	
1.5		2775	3830			3.0	2825	7125	
1.0	4155	5745		2.0		2170	6365		
34	1.5	2775	3915		1.5	2005	6105		
	1.0	4155	5745		58	4.0	3630	7450	
	35	1.5	2775	3915			3.0	2825	7125
		1.0	4155	5745			2.0	2170	6365
36		4.0	4490	4640			1.5	2005	6105
		3.0	3735	4640		60	5.5	3630	8085
	2.0	3010	3930		4.0		3630	7450	
	1.5	2775	3915		3.0		2825	7125	
1.0	4155	5745		2.0	2170		6365		
38	1.5	2775	3915		1.5	2005	6105		
	1.0	4155	5745		62	4.0	3630	7450	
	39	4.0	4490	4640			3.0	2825	7125
		3.0	3735	4640			2.0	2170	6365
2.0		3010	3930			1.5	2005	6105	
1.5		2775	3915						
1.0	4155	5745							

ISO METRIC THREAD GAUGES

BAKER
...a passion for precision

RIGHT HAND		THREAD PLUGS S/E GO OR NOT GO	THREAD RINGS GO OR NOT GO	RIGHT HAND		THREAD PLUGS S/E GO OR NOT GO	THREAD RINGS GO OR NOT GO
NOMINAL DIAMETER	PITCH	CLASS 6H ₹	CLASS 6g ₹	NOMINAL DIAMETER	PITCH	CLASS 6H ₹	CLASS 6g ₹
64	6.0	4195	8715	95	6.0	6350	14220
	4.0	3630	7450		4.0	5375	11585
	3.0	2825	7125		3.0	4315	11095
	2.0	2170	6365		2.0	3300	9930
	1.5	2005	6105		1.5	3040	9505
65	4.0	3630	7450	100	6.0	6350	14220
	3.0	2825	7125		4.0	5375	11585
	2.0	2170	6365		3.0	4315	11095
	1.5	2005	6105		2.0	3300	9930
68	6.0	4395	9840	105	6.0	8235	18450
	4.0	3785	8480		4.0	6185	15500
	3.0	2965	7125		3.0	5890	14810
	2.0	2255	6365		2.0	4190	12050
	1.5	2075	6105		1.5	4020	11570
70	6.0	4395	9840	110	6.0	8325	18450
	4.0	3785	8480		4.0	6185	15500
	3.0	2965	7125		3.0	5890	14810
	2.0	2255	6365		2.0	4190	12050
	1.5	2075	6105		1.5	4020	11570
72	6.0	4395	9840	115	6.0	8325	18450
	4.0	3785	8480		4.0	6185	15500
	3.0	2965	7125		3.0	5890	14810
	2.0	2255	6365		2.0	4190	12050
	1.5	2075	6105		1.5	4020	11570
75	4.0	3785	8480	120	6.0	8460	18880
	3.0	2965	7175		4.0	6515	17075
	2.0	2255	6365		3.0	6205	16320
	1.5	2075	6105		2.0	4395	13275
					1.5	4515	12715
76	6.0	5285	11840	125	6.0	8460	18880
	4.0	4535	9300		4.0	6515	17075
	3.0	3605	8885		3.0	6205	16320
	2.0	2735	7935		2.0	4395	13275
	1.5	2515	7600		1.5	4515	12715
78	2.0	2735	7935	130	6.0	8460	18880
	1.5	2515	7600		4.0	6515	17075
80	6.0	5285	11840	135	4.0	6205	16320
	4.0	4535	9300		3.0	6205	16320
	3.0	3605	8885		2.0	4395	13275
	2.0	2735	7395		1.5	4515	12715
	1.5	2515	7600				
82	2.0	2735	7935	140	6.0	11070	24790
	1.5	2515	7600		4.0	7385	19575
					3.0	7030	18720
					2.0	5385	14635
					1.5	5150	14020
85	6.0	5285	11840	145	6.0	11070	24790
	4.0	4535	9300		4.0	7385	19575
	3.0	3605	8885		3.0	7030	18720
	2.0	2735	7935		2.0	5385	14635
	1.5	2515	7600		1.5	5150	14020
90	6.0	6350	14220		6.0	11070	24790
	4.0	5375	11585		4.0	7385	19575
	3.0	4315	11095		3.0	7030	18720
	2.0	3300	9930		2.0	5385	14635
	1.5	3040	9505		1.5	5150	14020

ISO METRIC THREAD GAUGES

RIGHT HAND		THREAD PLUGS S/E GO OR NOT GO	THREAD RINGS GO OR NOT GO	RIGHT HAND		THREAD PLUGS S/E GO OR NOT GO	THREAD RINGS GO OR NOT GO
NOMINAL DIAMETER	PITCH	CLASS 6H ₹	CLASS 6g ₹	NOMINAL DIAMETER	PITCH	CLASS 6H ₹	CLASS 6g ₹
150	6.0	13660	30575	180	6.0	16825	37685
	4.0	9105	20820		4.0	12505	25140
	3.0	9105	19930		3.0	12505	25140
	2.0	6975	16030		2.0	9565	21415
	1.5	6685	15365		1.5	9155	20505
155	6.0	13660	30575	185	6.0	16825	37685
	4.0	9105	20820		4.0	12505	25140
	3.0	9105	19930		3.0	12505	25140
	2.0	7540	16030		2.0	9565	21415
	1.5	7240	15365		1.5	9155	20505
160	6.0	13660	30575	190	6.0	16825	37685
	4.0	9105	20820		4.0	12505	25140
	3.0	9105	19930		3.0	12505	25140
	2.0	7540	16030		2.0	9565	21415
	1.5	7240	15365		1.5	9155	20505
165	6.0	15530	34790	195	6.0	20585	46110
	4.0	11095	22875		4.0	14380	32215
	3.0	10835	21880		3.0	14380	32215
	2.0	8290	17110		2.0	11020	24680
	1.5	7940	16365		1.5	10550	23625
170	6.0	15530	34790	200	6.0	20585	46110
	4.0	11095	22075		4.0	14380	32215
	3.0	10835	21880		3.0	14380	32215
	2.0	8290	17110		2.0	11020	24680
	1.5	7940	16365		1.5	10550	23625
175	6.0	15530	34790	Prices for above 200 mm & specials on request			
	4.0	11095	22875				
	3.0	10835	21880				
	2.0	8290	17110				
	1.5	7940	16365				

SET OF THREAD PLUGS GAUGES IN ONE BOX CONSISTING OF M3, M4, M5, M6, M8, M10, M12 - 6H CLASS OF FIT DOUBLE END THREAD PLUG GAUGES.

PRICE : Rs. 9055/- PER BOX.



SET OF "GO" THREAD RINGS GAUGES IN ONE BOX CONSISTING OF M3, M4, M5, M6, M8, M10, M12 - 6g CLASS OF FIT "GO" THREAD RING GAUGES.

PRICE : Rs. 9810/- PER BOX.



SET OF "NOT GO" THREAD RINGS GAUGES IN ONE BOX CONSISTING OF M3, M4, M5, M6, M8, M10, M12 - 6g CLASS OF FIT "NOT GO" THREAD RING GAUGES.

PRICE : Rs. 9810/- PER BOX.

NOTES:

I] THREAD PLUGS

- 1 PRICE FOR DIAMETER 0.50 mm TO 0.90 mm ON REQUEST.
- 2 FOR SIZES 1 mm TO 1.4 mm AS PER SPECIFICATION STANDARD CLASS RECOMMENDED IS 5H/6H.
- 3 PRICE FOR THREAD PLUG OTHER THAN 6H CLASS, ADD 25% ON 6H THREAD PLUG.
- 4 PRICE FOR LEFT HAND THREAD PLUG, ADD 50% ON RIGHT HAND THREAD PLUG.
- 5 PRICE FOR NON-STANDARD DIAMETER-PITCH COMBINATIONS AND DIAMETERS ABOVE 200 mm ON REQUEST.

II] THREAD RINGS

- 1 PRICE FOR DIAMETER 0.50 mm TO 0.90 mm ON REQUEST.
- 2 PRICE FOR THREAD RING OTHER THAN 6g CLASS, DIAMETER UPTO AND INCLUDING 24 mm ADD 40% ON 6g THREAD RING.
- 3 PRICE FOR THREAD RING OTHER THAN 6g CLASS, DIAMETER ABOVE 24 mm ADD 25% ON 6g THREAD RING.
- 4 PRICE FOR LEFT HAND THREAD RING GAUGE ADD 50% ON RIGHT HAND THREAD RING GAUGE.
- 5 PRICE FOR NON-STANDARD DIAMETER-PITCH COMBINATIONS AND DIAMETERS ABOVE 200 mm ON REQUEST.

III] CERTIFICATE OF INSPECTION SUPPLIED WITH EACH GAUGE, TRACEABLE TO NATIONAL LENGTH STANDARDS.

UNIFIED THREAD GAUGES

AMERICAN STANDARD
GAUGING PRACTICE : ANSI / ASME B1.2 - 1983

RIGHT HAND		THREAD PLUGS D/E GO & NOT GO	THREAD RINGS GO OR NOT GO	WCP	RIGHT HAND		THREAD PLUGS D/E GO & NOT GO	THREAD RINGS GO OR NOT GO	WCP
NOMINAL DIAMETER	THREADS PER INCH	CLASS 2B ₹	CLASS 2A ₹	CLASS 2A ₹	NOMINAL DIAMETER	THREADS PER INCH	CLASS 2B ₹	CLASS 2A ₹	CLASS 2A ₹
No. 0	80 UNF	5210	8025	6515	3/4	10 UNC	2605	3485	3650
No. 1	64 UNC	4420	7365	5530		16 UNF	2210	2340	3095
	72 UNF	4420	7365	5530		12 UN	3335	4675	4670
No. 2	56 UNC	2930	4725	3670	18 UNEF	3335	5500	4670	
	64 UNF	3670	7145	4585	20 UNEF	3335	5500	4670	
No. 3	48 UNC	2930	3790	3670	13/16	12 UN	3335	4675	4670
	56 UNF	3670	5675	4585		16 UN	3335	5500	4670
No. 4	40 UNC	1530	2005	1910		18 UNEF	3335	5500	4670
	48 UNF	1530	2005	1910	20 UNEF	3335	5500	4670	
No. 5	40 UNC	1530	2005	1910	7/8	9 UNC	3530	5805	4945
No. 6	32 UNC	1530	2005	1910		14 UNF	2210	2340	3095
	40 UNF	1530	2005	1910		12 UN	3335	5500	4670
No. 8	32 UNC	1530	2005	1910	16 UN	3335	5500	4670	
	36 UNF	1530	2005	1910	18 UNEF	3335	5500	4670	
No. 10	24 UNC	1530	2005	1910	20 UNEF	3335	5500	4670	
	32 UNF	1530	2005	1910	15/16	12 UN	3335	5500	4670
No. 12	24 UNC	1530	2005	1910		16 UN	3335	5500	4670
	28 UNF	1530	2005	1910		18 UNEF	3335	5500	4670
1/4	20 UNC	1530	2005	1910	20 UNEF	3335	5500	4670	
	28 UNF	1530	2005	1910	1	8 UNC	3530	5805	4945
32 UNEF	2260	4010	2825	12 UNF		2210	4605	3095	
5/16	18 UNC	1530	2005	1910		14 UNS	3335	5500	4670
	24 UNF	1530	2005	1910	16 UN	3335	5500	4670	
3/8	16 UNC	1530	2005	1910	18 UNEF	3335	5500	4670	
	24 UNF	1530	2005	1910	20 UNEF	3335	5500	4670	
7/16	14 UNC	1580	2200	2215	1.1/16	8 UN	5290	7420	
	20 UNF	1530	2005	2145		12 UN	2945	4605	
28 UNEF	2260	4010	3165	16 UN		3335	5500		
1/2	13 UNC	1580	2200	2215	18 UNEF	5040	6965		
	20 UNF	1530	2005	2145	20 UN	5040	6965		
9/16	12 UNC	1765	3405	2475	1.1/8	7 UNC	5290	7420	
	18 UNF	1765	2340	2475		8 UN	5290	7420	
20 UN	2635	4675	3690	12 UNF		2945	4605		
5/8	24 UNEF	2635	4675	3690	16 UN	3335	5500		
	11 UNC	2605	3485	3650	18 UNEF	5040	6965		
11/16	18 UNF	2210	2340	3095	20 UN	5040	6965		
	20 UN	3335	4675	4670	1.3/16	8 UN	5290	7420	
24 UNEF	3335	4675	4670	12 UN		3335	4605		
11/16	12 UN	3335	4675	4670		16 UN	3335	5500	
	16 UN	3335	4675	4670	18 UNEF	5040	6965		
11/16	18 UN	3335	5500	4670	20 UN	5040	6965		
	20 UN	3335	5500	4670	1.1/4	7 UNC	5290	7420	
24 UNEF	3335	5500	4670	8 UN		5290	7420		
11/16	12 UN	3335	4675	4670		12 UNF	3335	4605	
	16 UN	3335	4675	4670	16 UN	3335	5500		
11/16	18 UN	3335	5500	4670	18 UNEF	5040	6965		
	20 UN	3335	5500	4670	20 UN	5040	6965		
11/16	24 UNEF	3335	5500	4670	1.5/16	8 UN	5290	7420	
	12 UN	3335	4675	4670		12 UN	3335	4605	
16 UN	3335	4675	4670	16 UN		3335	5500		
11/16	18 UN	3335	5500	4670	18 UNEF	5040	6965		
	20 UN	3335	5500	4670	20 UN	5040	6965		

UNIFIED THREAD GAUGES

BAKER
...a passion for precision

RIGHT HAND		THREAD PLUGS D/E GO & NOT GO	THREAD RINGS GO OR NOT GO	RIGHT HAND		THREAD PLUGS S/E GO OR NOT GO	THREAD RINGS GO OR NOT GO				
NOMINAL DIAMETER	THREADS PER INCH	CLASS 2B ₹	CLASS 2A ₹	NOMINAL DIAMETER	THREADS PER INCH	CLASS 2B ₹	CLASS 2A ₹				
1.3/8	6 UNC	5290	7420	2.1/2	4 UNC	4975	11805				
	8 UN	5290	7420		8 UN	4165	9840				
	12 UNF	3335	4605		12 UN	2790	7050				
	16 UN	3335	5500		16 UN	2790	7050				
	18 UNEF	5040	6965		2.5/8	8 UN	4165	9840			
20 UN	5040	6965	12 UN	2790		7050					
1.7/16	6 UN	5290	7420	16 UN		2790	7050				
	8 UN	5290	7420	2.3/4		4 UNC	4975	11805			
	12 UN	3335	4605			8 UN	4165	9840			
	16 UN	3335	5500		12 UN	2790	7050				
	18 UNEF	5040	6965		16 UN	2790	7050				
20 UN	5040	6965	2.7/8		8 UN	4165	9840				
1.1/2	6 UN	5290		7420	12 UN	2790	7050				
	8 UN	5290		7420	16 UN	2790	7050				
	12 UN	3335		4605	3	4 UNC	6240	14735			
	16 UN	3335		5500		8 UN	5260	12330			
	18 UNEF	5040	6965	12 UN		3525	8805				
20 UN	5040	6965	16 UN	3525		8805					
1.9/16	6 UN	6255	8075	3.1/4		4 UNC	6240	14735			
	8 UN	6255	8075		8 UN	5260	12330				
	12 UN	4650	5050		12 UN	3525	8805				
	16 UN	4650	5500		16 UN	3525	8805				
	18 UNEF	5750	7570		3.1/2	4 UNC	7905	18455			
20 UN	5750	7570	8 UN	6600		15425					
1.5/8	8 UN	6255	8075	12 UN		4430	11040				
	12 UN	4650	5050	16 UN		4430	11040				
	16 UN	4650	5500	3.3/4		4 UNC	7905	18455			
	18 UNEF	5750	7570		8 UN	6600	15425				
	20 UN	5750	7570		12 UN	4430	11040				
1.3/4	5 UNC	7560	10065		16 UN	4430	11040				
	8 UN	6255	8075		4	4 UNC	8195	19140			
	12 UN	4650	5050	8 UN		6845	15995				
	16 UN	4650	5500	12 UN		4595	11450				
	20 UN	5720	7570	16 UN		4595	11450				
1.7/8	8 UN	6255	8075	4.1/4		4 UNC	9880	22140			
	12 UN	4650	5050		8 UN	7060	17775				
	16 UN	4650	5500		12 UN	5035	14470				
	20 UN	5720	7570		16 UN	5035	14470				
	RIGHT HAND	THREAD PLUGS S/E GO OR NOT GO			THREAD RINGS GO OR NOT GO		4.1/2	4 UNC	9880	22140	
NOMINAL DIAMETER		PITCH	CLASS 2B ₹	CLASS 2A ₹	8 UN	7060		17775			
					12 UN	5035		14470			
					16 UN	5035		14470			
					2	4.5 UNC		3970	10065	4.3/4	4 UNC
	8 UN					3280	8075	8 UN	7060		19605
12 UN	2330	5050	12 UN	5035		15920					
16 UN	2330	5500	16 UN	5035		15920					
20 UN	2880	7570	5	4 UNC		9880	22660				
2.1/4	4.5 UNC	4975		11805	8 UN	7060	19605				
	8 UN	4165		9840	12 UN	5035	15920				
	12 UN	2790		7050	16 UN	5035	15920				
	16 UN	2790		7050	2.3/8	8 UN	4165	9840			
	2.3/8	8 UN	4165	9840		12 UN	2790	7050			
12 UN		2790	7050	16 UN		2790	7050				
16 UN		2790	7050								

RIGHT HAND		THREAD PLUGS S/E GO OR NOT GO	THREAD RINGS GO OR NOT GO	RIGHT HAND		THREAD PLUGS S/E GO OR NOT GO	THREAD RINGS GO OR NOT GO
NOMINAL DIAMETER	THREADS PER INCH	CLASS 2B ₹	CLASS 2A ₹	NOMINAL DIAMETER	THREADS PER INCH	CLASS 2B ₹	CLASS 2A ₹
5.1/4	4 UNC	13280	29735	5.3/4	4 UNC	16395	36700
	8 UN	8435	22465		8 UN	10925	23905
	12 UN	7060	17555		12 UN	8365	19235
	16 UN	6185	16830		16 UN	8015	18435
5.1/2	4 UNC	13280	29735	6	4 UNC	16395	36700
	8 UN	8435	22465		8 UN	10925	23905
	12 UN	7060	17555		12 UN	8365	19235
	16 UN	6185	16830		16 UN	8015	18435

Prices for above 6" & specials on request

NOTES:

I] THREAD PLUGS

- 1 PRICE FOR THREAD PLUG OTHER THAN 2B CLASS, ADD 25% ON 2B THREAD PLUG.
- 2 PRICE FOR LEFT HAND THREAD PLUG, ADD 50% ON RIGHT HAND.
- 3 PRICE FOR NON-STANDARD DIAMETER-TPI COMBINATIONS AND DIAMETERS ABOVE 6" ON REQUEST.

II] THREAD RINGS

- 1 PRICE FOR THREAD RING OTHER THAN 2A CLASS, DIAMETER UPTO AND INCLUDING 1" ADD 40% ON 2A THREAD RING.
- 2 PRICE FOR THREAD RING OTHER THAN 2A CLASS, DIAMETER ABOVE 1" ADD 25% ON 2A THREAD RING.
- 3 PRICE FOR LEFT HAND THREAD RING, ADD 50% ON RIGHT HAND THREAD RING GAUGES.
- 4 PRICE FOR NON-STANDARD DIAMETER-TPI COMBINATIONS AND DIAMETERS ABOVE 6" ON REQUEST.

III] CERTIFICATE OF INSPECTION IS SUPPLIED WITH EACH GAUGE, TRACEABLE TO NATIONAL LENGTH STANDARDS.

ISO PARALLEL PIPE THREAD GAUGES (BSP)



I. INDIAN STANDARD (IS)

BASIC DIMENSIONS : IS 2643 : 2005
GAUGING PRACTICE : IS 10216 :1988

II. INTERNATIONAL ORGANIZATION FOR STANDARDIZATION (ISO)

BASIC DIMENSIONS : ISO 228-1:2000
GAUGING PRACTICE : ISO 228-2:1987

RIGHT HAND		THREAD PLUGS D/E GO & NOT GO	THREAD RINGS GO (CLASS A & CLASS B) OR NOT GO (CLASS B)	WCP GO OR NOT GO
NOMINAL DIAMETER	THREADS PER INCH	CLASS GENERAL ₹	CLASS B ₹	CLASS B ₹
G 1/16	28	1675	2725	2095
G 1/8	28	1675	2725	2095
G 1/4	19	1675	2725	2350
G 3/8	19	1675	2725	2350
G 1/2	14	2110	4010	2960
G 5/8	14	2110	4010	2960
G 3/4	14	2110	4010	2960
G 7/8	14	2110	4010	2960
G 1	11	3395	5355	
G 1.1/8	11	3395	5355	
G 1.1/4	11	3395	5355	
G 1.3/8	11	3395	5355	
G 1.1/2	11	3395	5355	

RIGHT HAND		THREAD PLUGS S/E GO OR NOT GO	THREAD RINGS GO (CLASS A & CLASS B) OR NOT GO (CLASS B)
NOMINAL DIAMETER	THREADS PER INCH	CLASS GENERAL ₹	CLASS B ₹
G 1.3/4	11	1990	6370
G 2	11	1990	6720
G 2.1/4	11	2210	6720
G 2.1/2	11	2210	6720
G 2.3/4	11	2750	8420
G 3	11	2750	8420
G 3.1/2	11	3430	10550
G 4	11	3430	10550
G 5	11	5035	13425
G 6	11	7550	16765

NOTES:

I] THREAD PLUGS

1. PRICE FOR LEFT HAND THREAD PLUG, ADD 50% ON RIGHT HAND THREAD PLUG

II] THREAD RINGS

- PRICE FOR NOT GO THREAD RING OF CLASS-A, DIAMETER UPTO AND INCLUDING G1/2" ADD 50% ON CLASS B THREAD RING.
- PRICE FOR NOT GO THREAD RING OF CLASS-A, ADD 25% ON CLASS B ABOVE 1/2" THREAD RING.
- PRICE FOR LEFT HAND THREAD RING, ADD 50% ON RIGHT HAND THREAD RING

III] CERTIFICATE OF INSPECTION IS SUPPLIED WITH EACH GAUGE, TRACEABLE TO NATIONAL LENGTH STANDARDS.

BSPT TAPER THREAD GAUGES

BASIC DIMENSIONS & GAUGING PRACTICE

BS 21 - 1985

NOMINAL DIAMETER	THREADS PER INCH	PLUGS SYSTEM - B ₹	RINGS SYSTEM - B ₹
1/16	28	6350	11200
1/8	28	6350	10480
1/4	19	5120	9780
3/8	19	5120	8380
1/2	14	5120	6640
3/4	14	5120	6640
1	11	7260	9640
1.1/4	11	7260	9640
1.1/2	11	7260	9640
2	11	10840	12040
2.1/2	11	11100	12040
3	11	11100	12040
4	11	16710	18070
5	11	19110	20750
6	11	19110	20750

NOTE: DETAILED CALIBRATION CERTIFICATE IS SUPPLIED WITH EACH GAUGE, TRACEABLE TO NATIONAL LENGTH STANDARDS.

NGT Taper Thread - 3/4-14 NGT Taper (Eight Types) IS 15894

SIZE	PRICE ₹
TAPER THREAD PLUG GAUGE A (L1) WITH BASIC/MIN/MAX. STEPS	4890
FULL FORM TAPER THREAD PLUG GAUGE B(L9) WITHOUT STEPS	5350
PLAIN TAPER PLUG GAUGE C WITHOUT STEPS	1770
TAPER THREAD RING GAUGE D (L1) WITH ONE STEP.	7325
FULL FORM TAPER THREAD RING GAUGE E (L8)	8760
PLAIN TAPER RING GAUGE F WITHOUT STEP	8205
MASTER TAPER THREAD RING GAUGE (GAUGE M-INT) WITHOUT STEP (NEW)	11175
MASTER TAPER PLUG GAUGE (GAUGE M-EXT) WITHOUT STEP.	6905

ISO 7R TAPER PIPE THREADS

Basic Dimensions ISO 7-1:1994 or IS 554-1999

Gauging Practice ISO 7-2:2000 or IS 8999-2003

NOMINAL DIAMETER	TAPER FULL FORM THREAD PLUG	PARALLEL FULL FORM THREAD RING	PLAIN TAPER RING	TAPER MODIFIED FORM CHECK PLUG FOR RING	PARALLEL THREADS CHECK RING GAUGE
	GAUGE NO. 1 ₹	GAUGE NO. 3 ₹	GAUGE NO. 4 ₹	GAUGE NO. 5 ₹	GAUGE NO. 6 ₹
1/16 - 28	7940	17500	10500	11910	26250
1/8 - 28	7940	16375	9825	11910	24565
1/4 - 19	6400	15250	9150	9600	22875
3/8 - 19	6400	13100	7860	9600	19650
1/2 - 14	6400	10375	6225	9600	15565
3/4 - 14	6400	10375	6225	9600	15565
1 - 11	9075	15065	9040	13615	22595
1.1/4 - 11	9075	15065	9040	13615	22595
1.1/2 - 11	9075	15065	9040	13615	22595
2 - 11	13550	18815	11290	20325	28220
2.1/2 - 11	13875	18815	11290	20815	28220
3 - 11	13875	18815	11290	20815	28220
4 - 11	20890	28240	16945	31330	42360
5 - 11	23890	32425	19455	35830	48640
6 - 11	23890	32425	19455	35830	48640

NPT TAPER THREAD GAUGES



AMERICAN STANDARD

BASIC DIMENSIONS & GAUGING PRACTICE: ASME B1.20.1-2013 OR H-28 PART II-1957.

RIGHT HAND		NPT BASIC STEP		NPT MIN & MAX STEPS	
NOMINAL DIAMETER	THREADS PER INCH	PLUGS ₹	RINGS ₹	PLUGS ₹	RINGS ₹
1/16	27	3480	5170	3790	6190
1/8	27	3480	5170	3790	6190
1/4	18	2880	4690	3160	5650
3/8	18	2880	4690	3160	5650
1/2	14	2880	4100	3160	4910
3/4	14	2880	4100	3160	4910
1	11.1/2	3860	6320	4280	7550
1.1/4	11.1/2	3860	6320	4280	7550
1.1/2	11.1/2	3860	6320	4280	7550
2	11.1/2	5640	7820	6190	9380
2.1/2	8	6980	8540	7690	10230
3	8	6980	8540	7690	10230
3.1/2	8	6980	8540	7690	10230
4	8	10520	12850	11560	15440
5	8	11540	14130	12740	16950
6	8	11540	14130	12740	16950

NOTE : DETAILED CERTIFICATE OF INSPECTION IS SUPPLIED WITH EACH GAUGE, TRACEABLE TO NATIONAL LENGTH STANDARDS. FOR 3 STEP ADD RS. 500/- TO MIN & MAX STEP LIMIT DESIGN.

NPTF TAPER THREAD GAUGES

GAUGING PRACTICE :

ANSI / ASME B 1.20.5 - 1991

RIGHT HAND		TAPER THREAD PLUG					TAPER THREAD RING				
Nominal Diameter	Threads Per Inch	L1 Basic ₹	L3 Basic ₹	L1 Step Limit ₹	L3 Step Limit ₹	6 Step Plain Plug ₹	L1 Basic ₹	L2 Basic ₹	L1 Step Limit ₹	L2 Step Limit ₹	6 Step Plain Ring ₹
1/16"	27	3800	4150	4180	4550	5000	5690	6200	6830	7430	8170
1/8"	27	3800	4150	4180	4550	5000	5690	6200	6830	7430	8170
1/4"	18	3170	3450	3500	3790	4160	5160	5630	6230	6800	7470
3/8"	18	3170	3450	3500	3790	4160	5160	5630	6230	6800	7470
1/2"	14	3170	3450	3500	3790	4160	4490	5630	5400	5880	6470
3/4"	14	3170	3450	3500	3790	4160	4490	5630	5400	5880	6470
1"	11.1/2	4260	4620	4680	5140	5650	6950	7560	8310	9060	9970
1.1/4"	11.1/2	4260	4620	4680	5140	5650	6950	7560	8310	9060	9970
1.1/2"	11.1/2	4260	4620	4680	5140	5650	6950	7560	8310	9060	9970
2"	11.1/2	6190	6760	6820	7440	8190	8610	9400	10320	11250	12370
2.1/2"	8	7690	8420	8450	9230	10150	9390	10240	11250	12280	13500
3"	8	7690	8420	8450	9230	10150	9390	10240	11250	12280	13500

NOTE: DETAILED CERTIFICATE OF INSPECTION IS SUPPLIED WITH EACH GAUGE, TRACEABLE TO NATIONAL LENGTH STANDARDS.

ANPT TAPER THREAD GAUGES

BASIC DIMENSIONS & GAUGING PRACTICE :

SAE AS71051B:2008

RIGHT HAND		TAPER THREAD PLUG					TAPER THREAD RING				
Nominal Diameter	Threads Per Inch	L1 Basic Step ₹	L3 Basic Step ₹	L1 Step Min/Max ₹	L3 Step Min/Max ₹	6 Step Plain Plug ₹	L1 Basic Step ₹	L2 Basic Step ₹	L1 Step Min/Max ₹	L2 Step Min/Max ₹	6 Step Plain Ring ₹
1/16	27	5850	6680	6370	7280	8010	8700	9940	10410	11900	13090
1/8	27	5850	6680	6370	7280	8010	8700	9940	10410	11900	13090
1/4	18	4850	5540	5320	6080	6690	7890	9020	9500	10860	11950
3/8	18	4850	5540	5320	6080	6690	7890	9020	9500	10860	11950
1/2	14	4850	5540	5320	6080	6690	6900	7880	8260	9440	10380
3/4	14	4850	5540	5320	6080	6690	6900	7880	8260	9440	10380
1	11.1/2	6490	7420	7190	8220	9040	10620	12140	12710	14520	15970
1.1/4	11.1/2	6490	7420	7190	8220	9040	10620	12140	12710	14520	15970
1.1/2	11.1/2	6490	7420	7190	8220	9040	10620	12140	12710	14520	15970
2	11.1/2	9490	10840	10410	11900	13090	13160	15040	15790	18040	19840
2.1/2	8	11740	13420	12930	14780	16260	14370	16420	17200	19660	21630
3	8	11740	13420	12930	14780	16260	14370	16420	17200	19660	21630

NOTE: DETAILED CERTIFICATE OF INSPECTION IS SUPPLIED WITH EACH GAUGE, TRACEABLE TO NATIONAL LENGTH STANDARDS.

METRIC MICROMETERS

DIN : 863 / IS 2967 - 1983

TYPE	RANGE	READING	₹
MMC25	0 - 25 mm	0.01 mm	1685
MMC50	25 - 50 mm	0.01 mm	2240
MMC75	50 - 75 mm	0.01 mm	2410
MMC100	75 - 100 mm	0.01 mm	2650
MMC125	100 - 125 mm	0.01 mm	3215
MMC150	125 - 150 mm	0.01 mm	3605
MMC175	150 - 175 mm	0.01 mm	4410
MMC200	175 - 200 mm	0.01 mm	5300

TYPE	RANGE	READING	₹
MMC25-1	0 - 25 mm	0.001 mm	1890
MMC50-1	25 - 50 mm	0.001 mm	2565
MMC75-1	50 - 75 mm	0.001 mm	2840
MMC100-1	75 - 100 mm	0.001 mm	3235
MMC125-1	100 - 125 mm	0.001 mm	4070
MMC150-1	125 - 150 mm	0.001 mm	4325

METRIC EXTERNAL MICROMETER WITH INTERCHANGEABLE ANVILS

TYPE	RANGE	READING	₹
MMI0-100	0 - 100 mm	0.01 mm	10050
MMI0-150	0 - 150 mm	0.01 mm	12395
MMI150-300	150 - 300 mm	0.01 mm	17205
MMI200-300	200 - 300 mm	0.01 mm	16050
MMI300-400	300 - 400 mm	0.01 mm	21180
MMI400-500	400 - 500 mm	0.01 mm	23630
MMI0-100-1	0 -100 mm	0.001 mm	12065
MMI0-150-1	0 -150 mm	0.001 mm	14875
MMI150-300-1	150-300 mm	0.001 mm	20650

METRIC EXTERNAL MICROMETER WITH ADD ON EXTENSION ANVIL

TYPE	RANGE	READING	₹
MME500-600	500 - 600 mm	0.01 mm	42340
MME600-700	600 - 700 mm	0.01 mm	50240
MME700-800	700 - 800 mm	0.01 mm	54840
MME800-900	800 - 900 mm	0.01 mm	58180
MME900-1000	900 - 1000 mm	0.01 mm	63890

METRIC MICROMETER HEAD

TYPE	RANGE	READING	₹
MM25-HP	0 - 25 mm	0.01 mm	1455
MM25-HT	0 - 25 mm	0.01 mm	1505
MM25-1HP	0 - 25 mm	0.001 mm	1615
MM25-1HT	0 - 25 mm	0.001 mm	1665

METRIC DEPTH MICROMETER

TYPE	RANGE	READING	₹
MMC25-DM	0 - 25 mm	0.01 mm	4645
MMC25-1DM	0 - 25 mm	0.001 mm	4855

METRIC DEPTH MICROMETER WITH INTERCHANGEABLE MEASURING INSERT

TYPE	RANGE	READING	₹
MMC100-DM	0 - 100 mm	0.01 mm	5685
MMC150-DM	0 - 150 mm	0.01 mm	7105

NOTE: CERTIFICATE OF INSPECTION IS SUPPLIED WITH EACH MICROMETER TRACEABLE TO NATIONAL LENGTH STANDARDS.

EXTERNAL MICROMETERS

INCH MICROMETERS

ASME B89.1.13-2013

TYPE	RANGE	READING	₹
INC1	0 - 1 inch	0.001 inch	1685
INC2	1 - 2 inch	0.001 inch	2240
INC3	2 - 3 inch	0.001 inch	2410
INC4	3 - 4 inch	0.001 inch	2650
INC5	4 - 5 inch	0.001 inch	3215
INC6	5 - 6 inch	0.001 inch	3605
INC7	6 - 7 inch	0.001 inch	4410
INC8	7 - 8 inch	0.001 inch	5300

TYPE	RANGE	READING	₹
INC1-1	0 - 1 inch	0.0001 inch	1890
INC2-1	1 - 2 inch	0.0001 inch	2565
INC3-1	2 - 3 inch	0.0001 inch	2840
INC4-1	3 - 4 inch	0.0001 inch	3235
INC5-1	4 - 5 inch	0.0001 inch	4070
INC6-1	5 - 6 inch	0.0001 inch	4325

INCH EXTERNAL MICROMETER WITH INTERCHANGEABLE ANVILS

TYPE	RANGE	READING	₹
INI0-4	0-4 inch	0.001 inch	10050
INI0-6	0-6 inch	0.001 inch	12395
INI6-12	6-12 inch	0.001 inch	17205
INI8-12	8-12 inch	0.001 inch	16050
INI12-16	12-16 inch	0.001 inch	21180
INI16-20	16-20 inch	0.001 inch	23630
INI0-4-1	0 -4 inch	0.0001 inch	12065
INI0-6-1	0 -6 inch	0.0001 inch	14875
INI6-12-1	6-12 inch	0.0001 inch	20650

INCH EXTERNAL MICROMETER WITH ADD ON EXTENSION ANVILS

TYPE	RANGE	READING	₹
INE20-24	20-24 inch	0.001 inch	42340
INE24-28	24-28 inch	0.001 inch	50240
INE28-32	28-32 inch	0.001 inch	54840
INE32-36	32-36 inch	0.001 inch	58180
INE36-40	36-40 inch	0.001 inch	63890

INCH MICROMETER HEAD

TYPE	RANGE	READING	₹
IN1-HP	0 - 1 inch	0.001 inch	1455
IN1-HT	0 - 1 inch	0.001 inch	1505
IN1-1HP	0 - 1 inch	0.0001 inch	1615
IN1-1HT	0 - 1 inch	0.0001 inch	1665

INCH DEPTH MICROMETER

TYPE	RANGE	READING	₹
INC1-DM	0 - 1 inch	0.001 inch	4645
INC1-1DM	0 - 1 inch	0.0001 inch	4855

NOTE: CERTIFICATE OF INSPECTION IS SUPPLIED WITH EACH MICROMETER, TRACEABLE TO NATIONAL LENGTH STANDARDS.

1) SET OF MECHANICAL MICROMETERS



1) A SET OF FOUR METRIC MICROMETERS IN ONE WOODEN BOX

TYPE	RANGE	READING	₹
4MMC100	0 - 100 mm	0.01 mm	8985
4MMC100-1	0 - 100 mm	0.001 mm	10530

2) A SET OF FOUR INCH MICROMETERS IN ONE WOODEN BOX

TYPE	RANGE	READING	₹
4INC4	0 - 4 inch	0.001 inch	8985
4INC4-1	0 - 4 inch	0.0001 inch	10530

3) A SET OF SIX METRIC MICROMETERS IN ONE WOODEN BOX

TYPE	RANGE	READING	₹
6MMC150	0 - 150 mm	0.01 mm	16305
6MMC150-1	0 - 150 mm	0.001 mm	19425

4) A SET OF SIX INCH MICROMETERS IN ONE WOODEN BOX

TYPE	RANGE	READING	₹
6INC6	0 - 6 inch	0.001 inch	16305
6INC6-1	0 - 6 inch	0.0001 inch	19425

2) SET OF DIGITAL MICROMETERS



A SET OF FOUR DIGITAL MICROMETERS IN ONE WOODEN BOX

TYPE	RANGE	READING	₹
4DMM100	0 - 100 mm	0.001 mm / 0.00005 inch	36870

DIGITAL EXTERNAL MICROMETERS WITHOUT DIA OUTPUT

TYPE	RANGE	READING	₹
DMM25	0 - 25 mm	0.001 mm / 0.00005 inch	6435
DMM50	25 - 50 mm	0.001 mm / 0.00005 inch	8395
DMM75	50 - 75 mm	0.001 mm / 0.00005 inch	9935
DMM100	75 - 100 mm	0.001 mm / 0.00005 inch	11505

DIGITAL EXTERNAL MICROMETERS WITH DIA OUTPUT

TYPE	RANGE	READING	₹
DMM25 - 1	0 - 25 mm	0.001 mm / 0.00005 inch	8860
DMM50 - 1	25 - 50 mm	0.001 mm / 0.00005 inch	11280
DMM75 - 1	50 - 75 mm	0.001 mm / 0.00005 inch	14440
DMM100 - 1	75 - 100 mm	0.001 mm / 0.00005 inch	16230
	Data Cable P1502		5030
	SwitchP1601		1230

NOTE: CERTIFICATE OF INSPECTION IS SUPPLIED WITH EACH MICROMETER, TRACEABLE TO NATIONAL LENGTH STANDARDS.

SPECIAL MICROMETERS

**1) TUBE TYPE : [TYPE - T1] SPHERICAL HARDENED STEEL ANVIL & FLAT CARBIDE SPINDLE FACE.
[TYPE - T2] BOTH ENDS SPHERICAL HARDENED STEEL FACES.**

TYPE	RANGE	READING	₹
MMC25 - T1	0 - 25 mm	0.01 mm	2515
MMC25 - T2	0 - 25 mm	0.01 mm	2650
MMC50 - T1	25 - 50 mm	0.01 mm	3265
MMC50 - T2	25 - 50 mm	0.01 mm	3445
MMC75 - T1	50 - 75 mm	0.01 mm	3690
MMC75 - T2	50 - 75 mm	0.01 mm	3765
MMC100 - T1	75 - 100 mm	0.01 mm	4060
MMC100 - T2	75 - 100 mm	0.01 mm	4285

TYPE	RANGE	READING	₹
INC1 - T1	0 - 1 inch	0.001 inch	2515
INC1 - T2	0 - 1 inch	0.001 inch	2650
INC2 - T1	1 - 2 inch	0.001 inch	3265
INC2 - T2	1 - 2 inch	0.001 inch	3445
INC3 - T1	2 - 3 inch	0.001 inch	3690
INC3 - T2	2 - 3 inch	0.001 inch	3765
INC4 - T1	3 - 4 inch	0.001 inch	4060
INC4 - T2	3 - 4 inch	0.001 inch	4285

2) DISC TYPE: ROTATING - HARDENED STEEL MEASURING FACES.

TYPE	RANGE	READING	₹
MMC25 - D	0 - 25 mm	0.01 mm	5440
MMC50 - D	25 - 50 mm	0.01 mm	6310
MMC75 - D	50 - 75 mm	0.01 mm	6755
MMC100 - D	75 - 100 mm	0.01 mm	7875

TYPE	RANGE	READING	₹
INC1 - D	0 - 1 inch	0.001 inch	5440
INC2 - D	1 - 2 inch	0.001 inch	6310
INC3 - D	2 - 3 inch	0.001 inch	6755
INC4 - D	3 - 4 inch	0.001 inch	7875

3) DISC TYPE: NON - ROTATING - HARDENED STEEL MEASURING FACES.

TYPE	RANGE	READING	₹
MMC25 - ND	0 - 25 mm	0.01 mm	8110
MMC50 - ND	25 - 50 mm	0.01 mm	9755
MMC75 - ND	50 - 75 mm	0.01 mm	10360
MMC100 - ND	75 - 100 mm	0.01 mm	10760

TYPE	RANGE	READING	₹
INC1 - ND	0 - 1 inch	0.001 inch	8110
INC2 - ND	1 - 2 inch	0.001 inch	9755
INC3 - ND	2 - 3 inch	0.001 inch	10360
INC4 - ND	3 - 4 inch	0.001 inch	10760

NOTE:

- 1) CERTIFICATE OF INSPECTION IS SUPPLIED WITH EACH MICROMETER, TRACEABLE TO NATIONAL LENGTH STANDARDS.
- 2) PRICES FOR READINGS 0.001mm & 0.0001" ON REQUEST.

4) POINT TYPE : 15° HARDENED STEEL MEASURING TIPS.

TYPE	RANGE	READING	₹
MMC25 - P1	0 - 25 mm	0.01 mm	5195
MMC50 - P1	25 - 50 mm	0.01 mm	6755
MMC75 - P1	50 - 75 mm	0.01 mm	8150
MMC100 - P1	75 - 100 mm	0.01 mm	10190

TYPE	RANGE	READING	₹
INC1 - P1	0 - 1 inch	0.001 inch	5195
INC2 - P1	1 - 2 inch	0.001 inch	6755
INC3 - P1	2 - 3 inch	0.001 inch	8150
INC4 - P1	3 - 4 inch	0.001 inch	10190

5) POINT TYPE : 30° HARDENED STEEL MEASURING TIPS.

TYPE	RANGE	READING	₹
MMC25 - P2	0 - 25 mm	0.01 mm	4570
MMC50 - P2	25 - 50 mm	0.01 mm	5715
MMC75 - P2	50 - 75 mm	0.01 mm	6490
MMC100 - P2	75 - 100 mm	0.01 mm	7610

TYPE	RANGE	READING	₹
INC1 - P2	0 - 1 inch	0.001 inch	4570
INC2 - P2	1 - 2 inch	0.001 inch	5715
INC3 - P2	2 - 3 inch	0.001 inch	6490
INC4 - P2	3 - 4 inch	0.001 inch	7610

6) SPLINE TYPE : Ø3 mm X L 8 mm CARBIDE MEASURING FACES.

TYPE	RANGE	READING	₹
MMC25 - S3	0 - 25 mm	0.01 mm	5100
MMC50 - S3	25 - 50 mm	0.01 mm	6385
MMC75 - S3	50 - 75 mm	0.01 mm	7505
MMC100 - S3	75 - 100 mm	0.01 mm	7995

TYPE	RANGE	READING	₹
INC1 - S3	0 - 1 inch	0.001 inch	5100
INC2 - S3	1 - 2 inch	0.001 inch	6385
INC3 - S3	2 - 3 inch	0.001 inch	7505
INC4 - S3	3 - 4 inch	0.001 inch	7995

7) SPLINE TYPE : Ø2 mm X L 5 mm CARBIDE MEASURING FACES.

TYPE	RANGE	READING	₹
MMC25 - S2	0 - 25 mm	0.01 mm	5100

8) BLADE TYPE : NON-ROTATING-HARDENED STEEL MEASURING FACES.

TYPE	RANGE	READING	₹
MMC25 - NB	0 - 25 mm	0.01 mm	7305
MMC50 - NB	25 - 50 mm	0.01 mm	7780
MMC75 - NB	50 - 75 mm	0.01 mm	8035
MMC100 - NB	75 - 100 mm	0.01 mm	8885

TYPE	RANGE	READING	₹
INC1 - NB	0 - 1 inch	0.001 inch	7305
INC2 - NB	1 - 2 inch	0.001 inch	7780
INC3 - NB	2 - 3 inch	0.001 inch	8035
INC4 - NB	3 - 4 inch	0.001 inch	8885

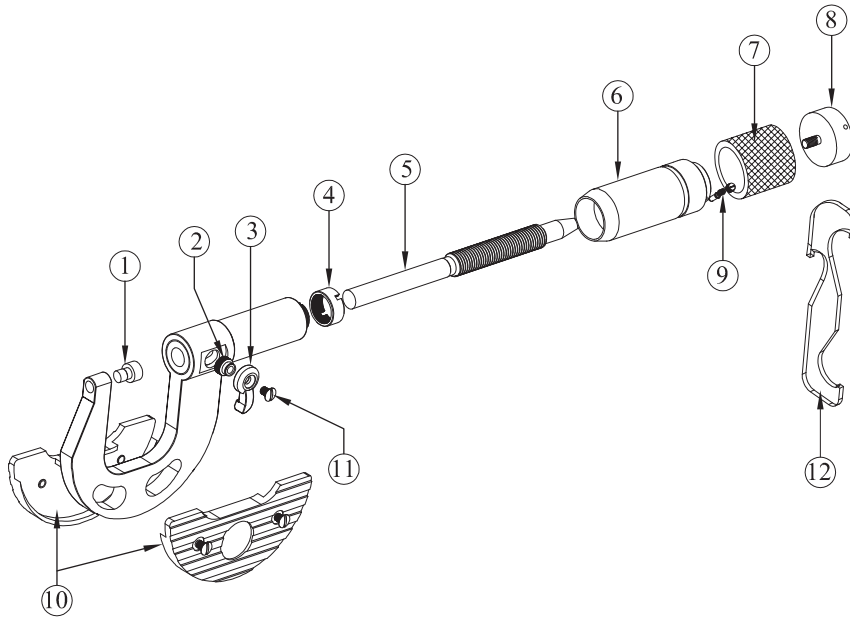
NOTE: 1) CALIBRATION IS CERTIFICATE IS SUPPLIED WITH EACH MICROMETER, TRACEABLE TO NATIONAL LENGTH STANDARDS.
 2) PRICES FOR READINGS 0.001 mm & 0.0001 inch ON REQUEST.

EXTERNAL MICROMETERS

SETTING GAUGES FOR EXTERNAL MICROMETERS

PART NO.	SIZE	UNIT PRICE ₹	PART NO.	SIZE	UNIT PRICE ₹
MM0200C066000BF00F	25.0 mm	350	MI0200C069000BF00F	1.0 inch	425
MM0300C091000BF00F	50.0 mm	400	MI0300C094000BF00F	2.0 inch	450
MM0400C116000BF00F	75.0 mm	425	MI0400C119000BF00F	3.0 inch	475
MM0500C141000BF00F	100.0 mm	450	MI0500C144000BF00F	4.0 inch	525
MM0600C167000BF00F	125.0 mm	550	MI0600C170000BF00F	5.0 inch	575
MM0700C193000BF00F	150.0 mm	600	MI0700C196000BF00F	6.0 inch	625
MM0800C219000BF00F	175.0 mm	650	MI0700C196000BF00F	7.0 inch	675
MM0900C245000BF00F	200.0 mm	675	MI0900C262000BF00F	8.0 inch	725
MM0900C246000BF00F	225.0 mm	750	MI0900C263000BF00F	9.0 inch	800
MM0900C247000BF00F	250.0 mm	800	MI0900C264000BF00F	10.0 inch	850
MM0900C248000BF00F	275.0 mm	850	MI0900C265000BF00F	11.0 inch	900

MECHANICAL MICROMETERS SPARES PRICE LIST



REF. NO.	DESCRIPTION	REF. NO.	DESCRIPTION
1	Complete Anvil	7	Knurl Ring with Toothed Ring
2	Pressure Screw M6x0.75	8	Ratchet Cap 'A' Series
3	Locking Lever	9	Set of Thimble Spring, Thimble Pin & Thimble Grub screw
4	Collet Lock Nut	10	Handle Shell Set
5	Finish Spindle	11	Raised CSK Screw
6	Thimble Marked	12	Spanner

MECHANICAL MICROMETERS SPARES PRICE LIST

PART NO.	PART DESCRIPTION	UNIT PRICE ₹	USED ON
M00000C018000000BF	Collet Lock Nut	25	All micrometers MM25 to MM300, IN1 to IN12 & MMA25 to MMA300, INA1 to INA12 All micrometers MM25 to MM200,
M00000C051J00000GF	Complete Anvil (0-200)	175	IN25 to IN8 & MMA25 to MMA 200, INA1 to INA8
MM0000C0450000000F	Finish Spindle mm	500	All micrometers MM25 to MM300
MI0000C1270000000F	Finish Spindle inch	500	All micrometers IN1 to IN12
MM0000C0490000000F	Thimble Marked mm	200	All micrometers MM25 to MM300
MI0000C1020000000F	Thimble Marked inch	200	All micrometers IN1 to IN12

MECHANICAL MICROMETERS SPARES PRICE LIST

PART NO.	PART DESCRIPTION	UNIT PRICE ₹	USED ON
M00000S0210000000F	Knurled Ring with toothed ring	90	All micrometers MM25 to MM300, IN1 to IN12 & MMA25 to MMA300, INA1 to INA12
M00000C020000000BF	Pressure Screw M6 x 0.75	12	All micrometers MM25 to MM300, IN1 to IN12 & MMA25 to MMA300, INA1 to INA12
M00100C0210000000F	Locking Lever	10	All micrometers MM25 to MM300, IN1 to IN12 & MMA25 to MMA300, INA1 to INA12
M00000C0150000000F	Raised CSK Screw M2.5	4	All micrometers MM25 to MM300, IN1 to IN12 & MMA25 to MMA300, INA1 to INA12
M00000C0170000000F	Knob (Chrome Platted)	32	All micrometers MM25 to MM300 & IN1 to IN12
M00000C0110000000F	Spanner	20	All micrometers MM25 to MM300 & IN1 to IN12
M00000C0780000000F	Range Plate	5	All micrometers MM25 to MM300, IN1 to IN12 & MMA25 to MMA300, INA1 to INA12
M00000S0220000000F	Set of (Thimble spring + Thimble pin+ Thimble grub screw)	20	All micrometers MM25 to MM300, IN1 to IN12 & MMA25 to MMA300, INA1 to INA12
M00100S0230000000F	Handle shell set -0 -25 .	50	MM25,MM25-1,IN1,IN1-1, MMA25, MMA25-1,INA1,INA1-1
M00200S0230000000F	Handle shell set - 25 -50	50	MM50,MM50-1,IN2,IN2-1, MMA50, MMA50-1,INA2,INA2-1
M00300S0230000000F	Handle shell set - 50 - 75	90	MM75,MM75-1,IN3,IN3-1, MMA75, MMA75-1,INA3,INA3-1
M00400S0230000000F	Handle shell set - 75 - 100	90	MM100,MM100-1,IN4,IN4-1, MMA100, MMA100-1,INA4,INA4-1
M00500S0230000000F	Handle shell set - 100 - 125	110	MM125,MM125-1,IN5,IN5-1, MMA125, MMA125-1,INA5,INA5-1
M00600S0230000000F	Handle shell set - 125 - 150	110	MM150,MM150-1,IN6,IN6-1, MMA150, MMA150-1,INA6,INA6-1
M00700S0230000000F	Handle shell set - 150 - 175	110	MM175, IN7, MMA175, INA7
M00800S0230000000F	Handle shell set - 175 - 200	110	MM200, IN8, MMA200, INA8
M00900S0230000000F	Handle shell set - 200 - 300	110	MM300, IN12, MMA300, INA12

EXTERNAL MICROMETERS



DIGITAL MICROMETERS SPARES PRICE LIST

PART NO.	PART DESCRIPTION	UNIT PRICE ₹	USED ON
IM0101S0020000000F	Electronic Module IP65 0-25 mm	2550	DMM25
IM0201S0040000000F	Electronic Module IP65 25-50mm	2810	DMM50
IM0301S0040000000F	Electronic Module IP65 50-75mm	3020	DMM75
IM0401S0040000000F	Electronic Module IP65 75-100mm	3300	DMM100
I00000C0060000000F	Battery cap with plastic washer (For IP65 digital micrometer)	15	DMM25 DMM50 DMM75 DMM100
I00000C0230000000F	Spindle locking knob (Plastic)	15	
IM0101C0020000000F	Heat insulating covers set - 0 - 25mm	50	DMM25
IM0201C0020000000F	Heat insulating covers set - 25 - 50mm	50	DMM50
IM0301C0020000000F	Heat insulating covers set – 50 - 75mm	75	DMM75
IM0401C0020000000F	Heat insulating covers set - 75 - 100mm	75	DMM100
I00000C0240000000F	Ratchet Knob (For IP65 digital micrometer)	135	DMM25 DMM50
I00000C0050000000F	Battery -SR 44 ((For IP65 digital micrometer)	100	DMM75 DMM100

TERMS AND CONDITIONS (for products)

1. PRICE : Ex. Works, Pune.
2. PACKING & FORWARDING : Extra @ 3%
3. GST : Extra as applicable.
4. PAYMENT : 25% Advance alongwith order and balance against Proforma Invoice.
5. DESPATCH : Courier Service
6. FREIGHT : Extra at Actual
7. ANY OTHER LEVY : Extra to your account
8. This price list is subject to alteration without any notice & cancels all our previous price lists.

CALIBRATION CHARGES

A. PARALLEL THREAD GAUGES - (STANDARD GAUGES)

PARTICULARS	SIZE RANGE UP TO 20 mm UP TO 3/4" ₹	SIZE RANGE 21 mm TO 40 mm 13/16" TO 1.1/2" ₹	SIZE RANGE 41 mm TO 100 mm 1.9/16" TO 4" ₹	SIZE RANGE 101 mm TO 200 mm 4.1/8" TO 8" ₹
D/E THREAD PLUG & S/E WEAR CHECK PLUGS	250	380	580	880
THREAD RING GO OR NOT GO	330	650	1130	1980

PARTICULARS	SIZE RANGE 201 mm TO 250 mm 8.1/4" & 10" ₹	SIZE RANGE 251 mm TO 300 mm 10.1/4" & 12" ₹	SIZE RANGE 301 mm TO 350 mm 12.1/4" & 14" ₹	SIZE RANGE 351 mm TO 400 mm 14.1/4" & 16" ₹
S/E THREAD PLUG & S/E WEAR CHECK PLUGS	900	1200	1700	2400
THREAD RING GO OR NOT GO	2600	3200	4200	5600

B. TAPER THREAD GAUGES

PARTICULARS	SIZE RANGE UP TO 3/4" ₹	SIZE RANGE 1" TO 1.1/2" ₹	SIZE RANGE 2" TO 4" ₹	SIZE RANGE 5" TO 8" ₹	SIZE RANGE 10" TO 12" ₹
TAPER THREAD PLUG	600	760	1410	1760	2900
TAPER THREAD RING	1020	1590	2080	2530	4900

C. PARALLEL PLAIN GAUGES

PARTICULARS	SIZE RANGE UP TO 20 mm ₹	SIZE RANGE 21 mm TO 40 mm ₹	SIZE RANGE 41 mm TO 100 mm ₹	SIZE RANGE 101 mm TO 200 mm ₹
D/E PLAIN PLUG GO AND NOT GO	150	230	350	530
PLAIN RING GO OR NOT GO	250	380	630	950

PARTICULARS	SIZE RANGE 201 mm & 250 mm ₹	SIZE RANGE 251 mm TO 300 mm ₹	SIZE RANGE 301 mm TO 350 mm ₹	SIZE RANGE 351 mm TO 400 mm ₹
S/E PLAIN PLUG GO OR NOT GO	750	950	1200	1500
PLAIN RING GO OR NOT GO	1400	1800	2500	3200

D. TAPER PLAIN GAUGES

PARTICULARS	SIZE RANGE UP TO 20 mm ₹	SIZE RANGE 21 mm TO 40 mm ₹	SIZE RANGE 41 mm TO 60 mm ₹	SIZE RANGE 61 mm TO 100 mm ₹
TAPER PLAIN PLUG	360	530	850	1060
TAPER PLAIN RING	620	960	1240	-

PARTICULARS	SIZE RANGE 101 mm & 250 mm ₹	SIZE RANGE 201 mm TO 250 mm ₹	SIZE RANGE 251 mm TO 300 mm ₹	
TAPER PLAIN PLUG	1390	1500	1750	
TAPER PLAIN RING	-	-	-	

NOTES :

- 1 Environmental condition maintained during calibration : 20°C ± 1°C and RH 50 ± 10%.
- 2 Calibration Laboratory is equipped with an extensive range of measuring instruments in the field of length measurement.
- 3 Measuring equipments are traceable to National / International Length Standards.
- 4 Calibration services with NABL accreditation (ISO/IEC 17025 : 2005(E)) are also provided on request.
- 5 Calibration of special Thread Gauges (ACME, TRAPEZOIDAL, BUTTRESS, ROUND THREAD, etc.) on request.

CALIBRATION CHARGES FOR MECHANICAL EXTERNAL MICROMETERS



EXTERNAL MICROMETERS

SIZE RANGE	READING 0.010 mm (0.001 inch) ₹	READING 0.001 mm (0.0001 inch) ₹	SIZE RANGE	READING 0.010 mm (0.001 inch) ₹	READING 0.001 mm (0.0001 inch) ₹
0 - 25 mm 0 - 1 inch	270	330	125 - 150 mm 5 inch - 6 inch	620	740
25 - 50 mm 1 inch - 2 inch	350	420	150 - 175 mm 6 inch - 7 inch	860	1030
50 - 75 mm 2 inch - 3 inch	430	520	175 - 200 mm 7 inch - 8 inch	1110	1320
75 - 100 mm 3 inch - 4 inch	510	600	200 - 300 mm 8 inch - 12 inch	2750	3190
100 - 125 mm 4 inch - 5 inch	560	670	300 - 400 mm 12 inch - 20 inch	2900 12 inch - 16 inch	3300
			400 - 500 mm 16 inch - 20 inch	2900	3300

CALIBRATION CHARGES FOR DIGITAL EXTERNAL MICROMETERS

RANGE	₹	RANGE	₹
0 - 25 mm (0.001mm)	380	125 - 150 mm (0.001mm)	880
25 - 50 mm (0.001mm)	470	150 - 175 mm (0.001mm)	1120
50 - 75 mm (0.001mm)	560	175 - 200 mm (0.001mm)	1450
75 - 100 mm (0.001mm)	700	200 - 300 mm (0.001mm)	3300
100 - 125 mm (0.001mm)	820	300 - 400 mm (0.001mm)	3500
100 - 125 mm (0.001mm)	820	400 - 500 mm (0.001mm)	3500

NOTES :

- 1 Environmental condition maintained during calibration : 20°C ± 1°C and RH 50 ± 10%.
- 2 Calibration Laboratory is equipped with an extensive range of measuring instruments in the field of length measurement.
- 3 Measuring equipments are traceable to National / International Length Standards.
- 4 Calibration services with NABL accreditation (ISO/IEC 17025 : 2005(E)) are also provided on request.
- 5 Calibration of special Micrometers on request.



PRODUCTS RANGE

PRODUCT RANGE	
THREAD PLUGS	: 1 mm TO 450 mm
TAPER THREAD PLUGS	: 1/16 inch TO 12 inch (TAPER 1:16)
THREAD RINGS	: 1 mm TO 450 mm
TAPER THREAD RINGS	: 1/16 inch TO 12 inch (TAPER 1:16)
FOR SPECIAL THREAD PLUGS AND RINGS INCLUDING ACME, TRAPEZOIDAL, BUTTRESS, ROUND THREAD, ETC PRICES WILL BE FURNISHED AGAINST SPECIFIC ENQUIRIES.	
EXTERNAL MICROMETERS	: 0 TO 1000 mm READING 0.01 mm (READING 0.001 mm UP TO 150 mm) : 0 - 40 inch READING 0.001 inch (READING 0.0001" UP TO 6")
DIGITAL EXTERNAL MICROMETER	: 0 - 100 mm READING 0.001 mm : 0 - 4 inch READING 0.00005 inch
SPECIAL EXTERNAL MICROMETER	: TUBE TYPE, DISC TYPE, POINT TYPE, SPLINE TYPE & BLADE TYPE

TERMS AND CONDITIONS (for Services)

1. GST: Extra as applicable
2. PAYMENT : 100% against Proforma Invoice.
3. DESPATCH : Courier Service
4. FREIGHT : Extra at Actual
5. ANY OTHER LEVY : Extra to your account
6. This price list is subject to alteration without any notice & cancels all our previous price lists.

BAKER CALIBRATION SERVICES

...a passion for precision

Features:

- Environmental conditions maintained during calibration: $20 \pm 1^\circ\text{C}$ and $\text{RH } 50 \pm 10\%$.
- Calibration Laboratory is equipped with an extensive range of measuring instruments in the field of length measurements.
- Measuring equipments are traceable to National / International Length Standards.
- Calibration services with NABL accreditation (ISO/IEC 17025:2005(E)) are provided on request.

Five reasons to insist for availing calibration services from BAKER

- Gauging Specialist since 1962...
- A heritage of high standards...
- A higher measure of confidence...
- Only laboratory in India with laser measuring system and computerised scanning system...
- Excellence in customer services...



NABL ACCREDITED LABORATORY

The LASER LENGTH MEASURING MACHINE is equipped with:

- A laser interferometer having a resolution of 1 nanometer.
- A linear encoder with a resolution of 0.0005 mm to measure distance travelled in the Y - axis, for measuring Taper Gauges.

Measuring Capacity:

- Thread and Plain Plug Gauges having diameter upto 300 mm.
- Thread and Plain Ring Gauges having diameter 3 mm upto 300 mm.
- Taper Plain & Taper Thread Plug Gauges having diameter 5 mm upto 60 mm.
- Taper Plain & Taper Thread Ring Gauges having diameter 5 mm upto 60 mm.
- Length Measurements upto 300 mm.



SIP 305M UNIVERSAL LENGTH MEASURING MACHINE

The SIP 305M has a resolution of 0.0001 mm and can measure the pitch diameter of thread ring gauges from 3 mm upto 100 mm.



THREAD MASTER SCANNER

The MASTER SCANNER measures thread gauges with a resolution of 0.0001 mm, using the 2-D scanning principle, which is accredited in Europe by accreditation bodies of Switzerland, Holland, Belgium, Denmark, U. K. and partner organizations of PTB. The profile of the thread gauge is scanned in one axial plane and Taper Thread Rings & Plain Taper Rings from 5 mm to 60 mm diameter can be calibr



Management Service

CERTIFICATE

The Certification Body
of TÜV SÜD Management Service GmbH
Trading as TÜV SÜD South Asia Private Limited

certifies that



BAKER GAUGES INDIA PRIVATE LIMITED.
(HIP DIVISION)
37-40, Off Nagar Road, Vimannagar
Pune – 411014, INDIA

has established and applies
a Quality Management System for

Design, Manufacture and Supply of Thread Gauges and Micrometers.

An audit was performed, Report No. **4153064410.**

Proof has been furnished that the requirements
according to

ISO 9001:2015

are fulfilled.

The certificate is valid from **2018-02-13** until **2021-02-12.**

Certificate Registration No.: **12 100 9246 TMS.**

M. Meyer

Product Compliance Management
Munich, 2018-02-14



TÜV SÜD TÜV SÜD TÜV SÜD TÜV SÜD TÜV SÜD TÜV SÜD TÜV SÜD TÜV SÜD TÜV SÜD TÜV SÜD TÜV SÜD TÜV SÜD TÜV SÜD TÜV SÜD
 ZERTIFIKAT ■ CERTIFICATE ■ 認證證書 ■ CERTIFIKAT ■ CERTIFICADO ■ CERTIFICAT

4153064410



**National Accreditation Board for
Testing and Calibration Laboratories**
(A Constituent Board of Quality Council of India)



CERTIFICATE OF ACCREDITATION

BAKER GAUGES INDIA PRIVATE LIMITED (HIP DIVISION)

has been assessed and accredited in accordance with the standard

ISO/IEC 17025:2005

"General Requirements for the Competence of Testing & Calibration Laboratories"

for its facilities at

37-40, Nagar Road, Viman Nagar, Pune, Maharashtra

in the field of

CALIBRATION

Certificate Number CC-2763 (in lieu of C-0390)

Issue Date 30/06/2018

Valid Until 29/06/2020

This certificate remains valid for the Scope of Accreditation as specified in the annexure subject to continued satisfactory compliance to the above standard & the relevant requirements of NABL.

(To see the scope of accreditation of this laboratory, you may also visit NABL website www.nabl-india.org)

Signed for and on behalf of NABL



89076970200020080532

Anil Relia
Chief Executive Officer



National Accreditation Board for Testing and Calibration Laboratories

(A Constituent Board of Quality Council of India)



SCOPE OF ACCREDITATION

Laboratory Baker Gauges India Private Limited (HIP Division), 37-40, Nagar Road, Viman Nagar, Pune, Maharashtra

Accreditation Standard ISO/IEC 17025: 2005

Certificate Number CC-2763 (In lieu of C-0390) **Page** 1 of 3

Validity 30.06.2018 to 29.06.2020 **Last Amended on** 04.07.2018

Sl.	Quantity Measured / Instrument	Range/Frequency	Calibration Measurement Capability (\pm)	Remarks
MECHANICAL CALIBRATION				
I. DIMENSION (BASIC MEASURING INSTRUMENT, GAUGE ETC.)				
1.	Parallel Thread Plug Gauge Simple Pitch Diameter & Major Diameter ⁵	1 mm to 15 mm 15 mm to 100 mm 50 mm to 400 mm	1.7 μ m 2.1 μ m 2.5 μ m	Using Floating Carriage Diameter Measuring Machine by 2 Wire Method Using Length Measuring Machine by 2 Wire Method
2.	Parallel Thread Ring Gauge Simple Pitch Diameter ⁵	Nominal dia. below 3 mm or Pitch < 0.5 mm	1.7 μ m	Using Check Plugs & Wear Check Plug / LMM
3.	Parallel Thread Ring Gauge Simple Pitch Diameter ⁵ (For pitch \geq 0.5 mm)	3 mm to 100 mm 100 mm to 350 mm	1.4 μ m 1.7 μ m	Using Length Measuring Machine by 2 Ball Method
4.	Taper Thread Plug Gauge Simple Pitch Diameter ⁵	5 mm to 100 mm 100 mm to 225 mm	2.4 μ m 2.4 μ m	Using Floating Carriage Diameter Measuring Machine by 2 Wire & Spotting Method Using Length Measuring Machine by 2 Wire & Spotting Method
5.	Taper Thread Ring Gauge Simple Pitch Diameter ⁵	5 mm to 100 mm 5 mm to 60 mm	2.3 μ m 2.5 μ m	Using Length Measuring Machine by 2 Ball Method

Dheeraj Chawla
Convenor

Avijit Das
Program Manager



National Accreditation Board for Testing and Calibration Laboratories

(A Constituent Board of Quality Council of India)



SCOPE OF ACCREDITATION

Laboratory Baker Gauges India Private Limited (HIP Division), 37-40, Nagar Road, Viman Nagar, Pune, Maharashtra

Accreditation Standard ISO/IEC 17025: 2005

Certificate Number CC-2763 (in lieu of C-0390) **Page** 2 of 3

Validity 30.06.2018 to 29.06.2020 **Last Amended on** 04.07.2018

Sl.	Quantity Measured / Instrument	Range/Frequency	Calibration Measurement Capability (\pm)	Remarks
		5 mm to 225 mm	2.6 μ m	Using IAC Master Scanner by 2D Scanning Using Check Plug & Lever Dial Gauge by Comparison Method
6.	Internal Diameter of Plain Taper Ring ⁵	5 mm to 100 mm (Taper angle $\leq 9^\circ$) 5 mm to 60 mm (Taper angle $\leq 9^\circ$)	1.8 μ m 2.54 μ m	Using Length Measuring Machine by 2 Ball Method Using IAC Master Scanner by 2D Scanning
7.	External diameter of Plain Taper Plug ⁵	5 mm to 60 mm (Taper angle $\leq 9^\circ$)	1.7 μ m	Using Length Measuring Machine Calculation By Direct Measurement
8.	External Micrometer ⁵ L.C.: 0.001 mm	0 to 100 mm 100 mm to 150 mm	2.1 μ m 2.4 μ m	Using Gauge Blocks by Comparison Method
9.	External Micrometer ⁵ L.C.: 0.01 mm	0 to 300 mm	6.3 μ m	Using Gauge Blocks by Comparison Method
10.	Micrometer Setting Standards ⁵	25 mm to 100 mm 100 mm to 300 mm 300 mm to 600 mm	0.9 μ m 2.2 μ m 4.2 μ m	Using Length Measuring Machine by Direct Measurement
11.	Outer Diameter of Plugs, Master Setting Discs, Measuring Pins ⁵	0.5 mm to 10 mm 10 mm to 100 mm 100 mm to 300 mm 300 mm to 400 mm	0.7 μ m 1.1 μ m 1.6 μ m 2.8 μ m	Using Length Measuring Machine by Direct Measurement
12.	Thread Measuring Wires ⁵	0.14 mm to 10 mm	0.7 μ m	Using Length Measuring Machine by Direct Measurement

Dheeraj Chawla
Convenor

Avijit Das
Program Manager



National Accreditation Board for Testing and Calibration Laboratories

(A Constituent Board of Quality Council of India)



SCOPE OF ACCREDITATION

Laboratory Baker Gauges India Private Limited (HIP Division), 37-40, Nagar Road, Viman Nagar, Pune, Maharashtra

Accreditation Standard ISO/IEC 17025: 2005

Certificate Number CC-2763 (in lieu of C-0390) **Page** 3 of 3

Validity 30.06.2018 to 29.06.2020 **Last Amended on** 04.07.2018

Sl.	Quantity Measured / Instrument	Range/Frequency	*Calibration Measurement Capability (\pm)	Remarks
13.	Internal Diameter of Rings [§]	2.4 mm to 100 mm 100 mm to 350 mm	1.2 μ m 1.3 μ m	Using Length Measuring Machine by Comparison Method

* Measurement Capability is expressed as an uncertainty (\pm) at a confidence probability of 95%

§ Only in Permanent Laboratory

Dheeraj Chawla
Convenor

Avijit Das
Program Manager

BAKER

National Presence

● Corporate Office & Factories:

BMI Division: Email: bakerbmi@bakergauges.com
(Corporate Office) Phone: +91 (20) 66093800
Fax: +91 (20) 66093888

HIP Division: Email: bakerhip@bakergauges.com
Phone: +91 (20) 66250600
Fax: +91 (20) 66250786

...a strong dealer network across the country



● Sales & Service branches

MUMBAI E-mail: bakermum@bakergauges.com
Phone : +91 (22) 43471701 / 02 / 03 / 04
Fax: +91 (22) 43471700

NASIK E-mail: baker_nsk@bakergauges.com
Phone : +91 7447438256

NEW DELHI E-mail: bakerdlh@bakergauges.com
Phone : +91 (11) 23328186
Fax: +91 (11) 23711312

CHANDIGARH E-mail: bakerchd@bakergauges.com
Phone : +91 9815601027 / 9814577744

CHENNAI E-mail: bakerche@bakergauges.com
Phone : +91 (44) 28140963
Fax: +91 (44) 28142669

COIMBATORE E-mail: bakerche@bakergauges.com
Phone : +91 9884480963

● Sales & Service branches

BANGALURU E-mail: bakerblr@bakergauges.com
Phone : +91 (80) 22217336
Fax/Tel: +91 (80) 49217048

KOLKATA E-mail: bakercal@bakergauges.com
Phone : +91 (33) 22156387
Fax/Tel: +91 (33) 22156387

JAMSHEDPUR E-mail: bakercal@bakergauges.com
Phone : +91 9031016005

AHMEDABAD E-mail: bakerbar@bakergauges.com
Phone : +91 (79) 27540665

RAJKOT E-mail: bakerrajkot@bakergauges.com
Phone : +91 7048205883

INDORE E-mail: bakermp@bakergauges.com
Phone : +91 9993842390

HYDERABAD E-mail: bakerhyd@bakergauges.com
Phone : +91 7893099364

BAKER GAUGES INDIA PRIVATE LIMITED

www.bakergauges.com



BMI DIVISION

CORPORATE OFFICE & FACTORY

33-1-2, NAGAR ROAD, PUNE - 411 014, INDIA

TEL : (020) 66093800

FAX : (020) 66093888

E-mail : bakerbmi@bakergauges.com



HIP DIVISION

HEAD OFFICE & FACTORY

37-40, NAGAR ROAD, PUNE - 411 014, INDIA

TEL : (020) 66250 600

FAX : (020) 66250 786

E-mail : bakerhip@bakergauges.com

Branch Sales Offices :

MUMBAI	☎	(022) 43471701 / 02 / 03 / 04	Fax: (022) 43471700	E-mail: bakermum@bakergauges.com
NASIK	☎	07447438256	E-mail: baker_nsk@bakergauges.com	
NEW DELHI	☎	(011) 23328186	Fax: (011) 23711312	E-mail: bakerdlh@bakergauges.com
CHANDIGARH	☎	09815601027 / 9814577744	E-mail: bakerchd@bakergauges.com	
CHENNAI	☎	(044) 28140963	Fax: (044) 28142669	E-mail: bakerche@bakergauges.com
COIMBATORE	☎	09884480963	E-mail: bakerche@bakergauges.com	
BANGALURU	☎	(080) 22217336	Fax/Tel: (080) 49217048	E-mail: bakerblr@bakergauges.com
KOLKATA	☎	(033) 22156387	Fax/Tel: (033) 22156387	E-mail: bakercal@bakergauges.com
JAMSHEDPUR	☎	09031016005	E-mail: bakercal@bakergauges.com	
AHMEDABAD	☎	(079) 27540665	E-mail: bakerbar@bakergauges.com	
RAJKOT	☎	07048205883	E-mail: bakerrajkot@bakergauges.com	
INDORE	☎	09993842390	E-mail: bakermp@bakergauges.com	
HYDERABAD	☎	07893099364	E-mail: bakerhyd@bakergauges.com	

AN ISO 9001:2015 COMPANY