

# StanleyBlack&Decker

## HAND TOOLS



**PRICE LIST (MRP)**  
w.e.f. 15<sup>th</sup> July 2019



# OUR BRANDS

**STANLEY™**

For over 170 years, Stanley hand tools have been synonymous with quality, durability, safety and design around the world. The range of Stanley hand tools is designed for the most demanding carpentry, construction, mechanical, electrical and plumbing tasks. Our tool manufacturing plants have been certified according to the ISO-9000 standard. Stanley hand tools are definitely the best choice for the professional tradesman and serious DIY'ers which helps you work better, smarter and faster.

**BLACK+DECKER**

Making the job easier has always been at the forefront of Black+Decker's mission for more than 100 years. As a brand it constantly strives to simplify the world of DIY and create tools and products that make the task quicker and easier to perform. Black+Decker a pioneer in designing and manufacturing power and hand tools has come with the best DIY tools and kits for you.

**BRITool**  
EXPERT

The British Tool and Engineering Company – the company which founded the Britool brand – first started production in 1908 and Britool has been the number one choice for professional engineers ever since. In 2006 Britool and the Facom Group merged with Stanley – the World's largest supplier of tools. Today, backed by the industrial might and expertise of Stanley, Britool maintains its own unique identity and presents a world class product offering.

**IRWIN®**

For over a century, innovation has been the hallmark of IRWIN TOOLS. Beginning in 1885, with the development of first IRWIN Auger Bit, and progressing with introduction of Vise-Grip Locking Tools and Quick Grip Bar Clamps, IRWIN has been at the forefront of the industry, creating superior tools for professional tradesman.

**DEWALT®**

Put pinpoint laser precision to work for you with DEWALT's lineup of laser tools. Featuring laser distance measurers, and optical levels, our products are designed to ensure accuracy for everything from leveling to jobsite grading and complex measurements. Each DEWALT laser tool is built with a GUARANTEED TOUGH® design to help you get the job done right, every time.

# HAND TOOLS CONTENTS

**STANLEY**

**SPANNERS & SETS**

DOE, RING COMBINATION SPANNERS/SETS  
OPEN/RING END SLOGGING SPANNER  
ADJUSTABLE SPANNERS



**SCREWDRIVERS & KEYS**

CUSHION GRIP SCREWDRIVERS/SETS  
PVC SCREWDRIVERS PH/SLOTTED  
VDE, SPECIALITY SCREWDRIVERS & TESTERS  
TORX, HEX, T-HANDLE KEYS/SETS



**FASTENING TOOLS**

GLUE GUNS CORDED/CORDLESS  
SOLDERING IRON, STAPLE GUN  
RIVETERS



**AUTOMOTIVE MIXED TOOL SETS**

MASTER TOOL SETS  
MULTI-TOOL SETS  
HONDA & VESPA SERVICE KIT  
TYRE SHOP SERVICE KIT



**SOCKET SETS**

1/4", 3/8" DR SOCKET SETS  
1/2", 3/4" DR SOCKET SETS



**SOCKET & RATCHETS**

1/4", 3/8", 1/2", 3/4" SOCKETS  
RATCHETS, ACCESSORIES & T-HANDLE SOCKETS  
IMPACT SOCKETS ACCS & SETS



**AIR TOOLS**

1/2" IMPACT WRENCHES  
3/4" IMPACT WRENCH  
3/8" & 1/2" AIR RATCHETS



**TORQUE WRENCHES**

1/4" & 3/8" TORQUE WRENCHES  
1/2" TORQUE WRENCHES  
3/4" TORQUE WRENCH  
REPAIR KITS



**PLIERS & PLUMBING TOOLS**

COMBINATION/CUTTING PLIERS  
CIRCLIP PLIERS/CRIMPING PLIERS  
VDE RANGE PLIERS  
H/D PIPE WRENCH, STILLSON PIPE WRENCH  
PIPE CUTTER, WATER PUMP PLIER/JOINT PLIER



**CUTTING TOOLS**

RETRACTABLE UTILITY KNIVES & BLADES  
SNAP-OFF KNIVES & BLADES  
HACKSAW, WIRE/BOLT CUTTER, SNIPS  
WOODWORKING PLANES



**OPTICAL LEVELS**

AL24/AL32 AUTOMATIC OPTICAL LEVEL  
AUTOMATIC OPTICAL LEVEL KITS  
TRIPODS & MEASURING STAFF



**MEASURING & LAYOUT TOOLS**

MEASURING TAPE/ MEASURING WHEEL  
TORPEDO, BOX, I-BEAM LEVELS  
CHALK LINE LEVEL



01 - 03



**STRIKING TOOLS**

HAMMERS  
CHISELS & PUNCH KITS  
CAMP AXE, COLD CHISEL CENTER PUNCH

04 - 06



**SPECIALITY TOOLS**

3 JAW PULLER  
FEELER GAUGE, OIL FILTER WRENCH  
12-IN-1 MULTITOOL, SCREW EXTRACTOR  
BOTTLE JACKS

07



**TOOL STORAGE**

METAL STORAGE  
PLASTIC TOOL BOX

08 - 09

**IRWIN**

**CLAMPING TOOLS**

C-CLAMPS  
F-CLAMPS  
BAR CLAMPS, ACCESSORIES & VICES



10 - 12



**LOCKING PLIERS**

**PLIERS**

GROOVE-LOCK PLIERS  
CUTTING PLIERS  
ERGOMULTI PLIERS  
WIRESTRIPPER



18-22



**PIPE WRENCHES**

PIPE WRENCH  
LEADER PIPE WRENCH  
QUICK ADJUST PIPE WRENCH

23-24



**RIVETERS**

SNIPS & BALL PIEN HAMMER  
HEXY KEY SETS & BOX/TORPEDO LEVELS

25-27



**FOLDING UTILITY KNIVES**

STANDARD UTILITY KNIVES  
BI-METAL BLADES  
HANDSAWS & CHISELS

**BLACK+DECKER**

28-29



**TOOL KITS**

108,126,154 PC  
PRECISION PEN DRIVER

30



**ADJUSTABLE WRENCHES**

FASTENING TOOLS  
PLIERS

31



**CUTTING TOOLS**

MEASURING TOOLS  
FILES & STRIKING TOOLS

**DEWALT**

**LASER DISTANCE MEASURER**

**BRITTOOL**

**TORQUE WRENCHES**

32

33

34-35

36-37

38-40

41-42

43-45

46

47

48

49

50-51

52

53

54

55

56-57

58-59

**STANLEY**  
HAND TOOLS

**SPANNERS & SETS**



**DOUBLE ENDED OPEN JAW CRV SPANNERS**



PART No.	SIZE	HSN CODE	MOQ	MRP
70-366E	6X7MM	82041110	10	28
70-367E	8X9MM	82041110	10	29
70-368E	10X11MM	82041110	10	33
70-369E	12X13MM	82041110	10	37
70-370E	14X15MM	82041110	10	39
70-371E	16X17MM	82041110	10	51
70-372E	18X19MM	82041110	10	63
70-373E	20X22MM	82041110	10	76
70-374E	21X23MM	82041110	10	102
70-375E	24X27MM	82041110	10	127
70-376E	25X28MM	82041110	10	151
70-377E	30X32MM	82041110	10	163
72-060	32X36MM	82041110	5	448
72-061	34X36MM	82041110	5	448
72-062	36X41MM	82041110	5	604
72-063	41X46MM	82041110	5	1,178
72-064	46X50MM	82041110	2	1,946
72-065	50X55MM	82041110	2	2,689
72-066	55X60MM	82041110	2	3,093

**DOUBLE OPEN END SPANNERS SET**



PART No.	DESCRIPTION	SIZE	HSN CODE	MOQ	MRP
70-379E	8PCS DOUBLE O/E SPANNERS	SET 6X7 TO 20X22MM	82041110	1	350
70-380E	12PC DOUBLE O/E SPANNERS	SET 6X7 TO 30X32MM	82041110	1	900

**SLIMLINE DOUBLE OPEN END WRENCH SET**



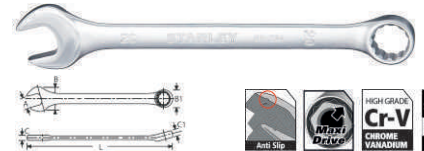
PART No.	DESCRIPTION	HSN CODE	MOQ	MRP
1-87-718	8PC SLIMLINE DOUBLE O/E WRENCH SET, METRIC	82041120	1	2,597
1-87-712	7PCS. SLIMLINE DOUBLE O/E WRENCH SET, IMPERIAL	82041120	1	2,775

**COMBINATION SPANNERS**



PART No.	SIZE	HSN CODE	MOQ	MRP
70-936E	6MM	82041110	10	35
70-937E	7MM	82041110	10	35
70-938E	8MM	82041110	10	35
70-939E	9MM	82041110	10	35
70-940E	10MM	82041110	10	39
70-941E	11MM	82041110	10	39
70-942E	12MM	82041110	10	40
70-943E	13MM	82041110	10	44
70-944E	14MM	82041110	10	53
70-945E	15MM	82041110	10	56
70-946E	16MM	82041110	10	64
70-947E	17MM	82041110	10	65
70-948E	18MM	82041110	10	79
70-949E	19MM	82041110	10	83
70-950E	20MM	82041110	10	160
70-951E	21MM	82041110	10	110
70-952E	22MM	82041110	10	191
70-953E	23MM	82041110	5	142
70-954E	24MM	82041110	5	156
70-955E	25MM	82041110	5	174
70-956E	26MM	82041110	5	190
70-957E	27MM	82041110	5	227
70-961E	32MM	82041110	5	350

**COMBINATION SPANNERS PREMIUM**

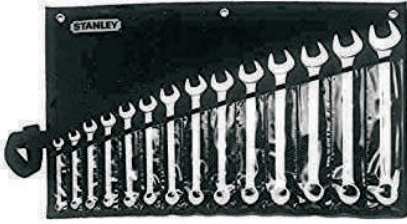


PART No.	SIZE	HSN CODE	MOQ	MRP
STMT80246-8B	1/4"	82041110	10	53
STMT80247-8B	5/16"	82041110	10	55
STMT80248-8B	3/8"	82041110	10	61
STMT80250-8B	7/16"	82041110	10	63
STMT80251-8B	1/2"	82041110	10	74
STMT80252-8B	9/16"	82041110	10	82
STMT80253-8B	5/8"	82041110	10	108
STMT80254-8B	11/16"	82041110	6	121
STMT80255-8B	3/4"	82041110	6	140
STMT80256-8B	13/16"	82041110	6	150
STMT80257-8B	7/8"	82041110	6	169
STMT80258-8B	15/16"	82041110	6	232
STMT80265-8B	1"	82041110	6	290

Available from Sept 2019



SLIMLINE COMBINATION WRENCH SET



PART No.	DESCRIPTION	SIZE	HSN CODE	MOQ	MRP
1-87-709	SLIMLINE COMBINATION WRENCH, 14 PC MET	10-32 MM	82041110	1	5,964
1-87-038	14 PC, IMPERIAL		82041110	1	5,552

COMBINATION SPANNERS SET



STMT78096-8



PART No.	DESCRIPTION	SIZE	HSN CODE	MOQ	MRP
70-963E	8PCS.COMB SPANNERS SET	(8-11,13,14,17&19MM)	82041110	1	399
70-964E	12PC COMB SPANNER SET	(6-14,17,19&22MM)	82041110	1	635
70-965E	23PC COMB SPANNERS SET	(6-25,27,30,32MM)	82041110	1	2,585
STMT78092-8	14PC CWB SET IN HOLDER	(8-17,19,21,22&24MM)	82041110	4	1,808
STMT78096-8	13PC CWB SET IN HOLDER	(1/4" to 1")	82041110	6	1,884

SHALLOW OFFSET BI-HEX RING CRV SPANNER



PART No.	SIZE	HSN CODE	MOQ	MRP
70-381E	6X7MM	82041110	10	57
70-382E	8X9MM	82041110	10	66
70-383E	10X11MM	82041110	10	80
70-384E	12X13MM	82041110	10	83
70-385E	14X15MM	82041110	10	92
70-386E	16X17MM	82041110	10	111
70-387E	18X19MM	82041110	10	140
70-388E	20X22MM	82041110	5	165
70-389E	21X23MM	82041110	5	200
70-390E	24X27MM	82041110	5	242
70-391E	25X28MM	82041110	5	287
70-392E	30X32MM	82041110	5	368

DEEP OFFSET BI-HEX RING SPANNERS



PART No.	SIZE	HSN CODE	MOQ	MRP
72-067	32X36MM	82041110	5	785
72-068	36X41MM	82041110	5	1,097
72-069	41X46MM	82041110	5	3,221
72-070	46X50MM	82041110	2	3,622
72-071	50X55MM	82041110	2	5,797
72-072	55X60MM	82041110	1	6,625

SHALLOW OFFSET RING END SPANNER SET



PART No.	DESCRIPTION	SIZE	HSN CODE	MOQ	MRP
70-394E	8 PCS SHAL OFF SET BI-HXRNG SPANNER SET	6X7-20X22MM	82041110	1	815
70-395E	12PCS SHAL OFF SET BI-HXRNG SPANNER SET	6X7-30X32MM	82041110	1	1,925

HD ADJUSTABLE WRENCH



PART No.	DESCRIPTION	SIZE	HSN CODE	MOQ	MRP
87-796-23	HD ADJUSTABLE WRENCH	18"	82041220	1	2,654

ADJUSTABLE WRENCH CHROME PLATED



PART No.	SIZE	HSN CODE	MOQ	MRP
1-87-430	100MM	82041220	6	303
STMT87431-8	150MM	82041220	6	357
STMT87432-8	200MM	82041220	6	466
STMT87433-8	250MM	82041220	6	576
STMT87434-8	300MM	82041220	6	756
STMT87435-8	375MM	82041220	4	1,414

ADJUSTABLE WRENCH PHOSPHATE PLATED



PART No.	SIZE	HSN CODE	MOQ	MRP
STMT74893-8	150MM-6"	82041220	5	220
STMT74894-8	200MM-8"	82041220	5	285
STMT74895-8	250MM-10"	82041220	5	390
STMT74896-8	300MM-12"	82041220	5	530

RATCHETING WRENCH



PART No.	SIZE	HSN CODE	MOQ	MRP
STMT89934-8B-12	8 MM	82041120	10	531
STMT89935-8B-12	9 MM	82041120	10	535
STMT89936-8B-12	10 MM	82041120	10	536
STMT80012-8B-12	11 MM	82041120	10	555
STMT89937-8B-12	12 MM	82041120	10	555
STMT89938-8B-12	13 MM	82041120	10	595
STMT89939-8B-12	14 MM	82041120	10	621
STMT89940-8B-12	15 MM	82041120	10	654
STMT89941-8B-12	16 MM	82041120	10	719
STMT89942-8B-12	17 MM	82041120	10	735
STMT89943-8B-12	18 MM	82041120	10	781
STMT89944-8B-12	19 MM	82041120	10	798

**OPEN RING SLOGGING WRENCH**



PART No.	SIZE	HSN CODE	MOQ	MRP
96-936-23	30MM	82041120	1	1,090
96-938-23	32MM	82041120	1	1,288
96-939-23	36MM	82041120	1	1,538
96-940-23	41MM	82041120	1	1,954
96-941-23	46MM	82041120	1	2,434
96-950-23	50MM	82041120	1	3,011
96-951	55MM	82041120	1	3,331
96-952	60MM	82041120	1	3,621
96-953	65MM	82041120	1	3,960
96-954-23	70MM	82041120	1	4,870

**RING END SLOGGING WRENCH**



PART No.	SIZE	HSN CODE	MOQ	MRP
71-682	24MM	82041120	1	806
96-911	27MM	82041120	1	938
96-913	30MM	82041120	1	1,030
96-914	32MM	82041120	1	1,128
96-915	36MM	82041120	1	1,299
96-917	41MM	82041120	1	1,645
96-918	46MM	82041120	1	2,112
96-919	50MM	82041120	1	2,437
96-920	55MM	82041120	1	2,881
96-921	60MM	82041120	1	2,858
96-922	65MM	82041120	1	3,475
96-923	70MM	82041120	1	6,407
96-924	75MM	82041120	1	6,567

**STANLEY**

**ANTI-SLIP  
DESIGN**  
FOR A STRONG GRIP

**400%** More gripping power  
Longer design for better leverage



**STANLEY™**  
HAND TOOLS

**SCREWDRIVERS & KEYS**



**SCREWDRIVERS & KEYS**

**CUSHION GRIP SCREWDRIVER STANDARD**



PART No.	SIZE	HSN CODE	MOQ	MRP
STMT60817-8	3X75MM	82054000	6	129
STMT60818-8	3X100MM	82054000	12	129
STMT60819-8	3X125 MM	82054000	12	130
STMT60821-8	5MM X 75 MM	82054000	12	162
STMT60822-8	5MM X 100 MM	82054000	12	165
STMT60824-8	5MM X 200 MM	82054000	12	185
STMT60825-8	6.5MM X 38MM	82054000	12	180
STMT60826-8	6.5MM X 100 MM	82054000	12	181
STMT60827-8	6.5MM X 125 MM	82054000	12	187
STMT60828-8	6.5MM X 150 MM	82054000	12	193
STMT60829-8	6.5MM X 200 MM	82054000	12	204
STMT60830-8	6.5MM X 250 MM	82054000	12	219
STMT60831-8	8MM X 150 MM	82054000	10	239
STMT60832-8	8MM X 200 MM	82054000	12	252
STMT60833-8	8MM X 250 MM	82054000	12	265
STMT60834-8	5X100MM	82054000	12	165
STMT60835-8	5X150MM	82054000	12	171
STMT60836-8	5X200MM	82054000	12	186

**CUSHION GRIP SCREWDRIVER PHILLIPS**



PART No.	SIZE	HSN CODE	MOQ	MRP
STMT60801-8	PH0 X 100MM	82054000	12	126
STMT60802-8	PH0 X 125MM	82054000	12	132
STMT60803-8	PH0 X 150MM	82054000	12	132
STMT60804-8	PH1 X 75MM	82054000	12	139
STMT60805-8	PH1 X 100MM	82054000	12	162
STMT60806-8	PH1 X 150MM	82054000	12	144
STMT60807-8	PH1 X 200MM	82054000	12	177
STMT60808-8	PH2 X 38MM	82054000	12	155
STMT60809-8	PH2 X 100MM	82054000	12	174
STMT60810-8	PH2 X 125MM	82054000	12	181
STMT60811-8	PH2 X 150MM	82054000	12	184
STMT60812-8	PH2 X 200MM	82054000	12	193
STMT60813-8	PH2 X 250MM	82054000	12	213
STMT60814-8	PH3 X 150MM	82054000	12	225
STMT60816-8	PH3 X 250MM	82054000	12	255

**CUSHION GRIP SCREWDRIVER PHILLIPS**



PART No.	SIZE	HSN CODE	MOQ	MRP
STMT60837-8	T5 X 75MM	82054000	12	121
STMT60838-8	T6 X 75MM	82054000	12	121
STMT60839-8	T7 X 75MM	82054000	12	123
STMT60841-8	T8 X 75MM	82054000	12	126
STMT60844-8	T10 X 75MM	82054000	12	126
STMT60845-8	T15 X 100MM	82054000	12	149
STMT60847-8	T20 X 100MM	82054000	12	169
STMT60848-8	T25 X 100MM	82054000	12	191
STMT60850-8	T30 X 100MM	82054000	12	191

**FIX BAR SCREWDRIVER FLAT**



PART No.	SIZE	HSN CODE	MOQ	MRP
62-241	3 X 50MM	82054000	10	35
62-242	3 X 75MM	82054000	10	44
62-243	3 X 100MM	82054000	10	46
62-244	3 X 150MM	82054000	10	44
62-245	4 X 75MM	82054000	10	51
62-246	4 X 150MM	82054000	10	57
62-247	6 X 100MM	82054000	10	77
62-248	6 X 150MM	82054000	10	79
62-249	6 X 200MM	82054000	10	86
62-250	6 X 250MM	82054000	10	92
62-251	6 X 300MM	82054000	10	103
62-252	8 X 150MM	82054000	10	116
62-253	8 X 200MM	82054000	10	130
62-254	8 X 250MM	82054000	10	141
62-255	8 X 300MM	82054000	10	149

**FIX BAR SCREWDRIVER FLAT**



PART No.	SIZE	HSN CODE	MOQ	MRP
62-256	PH0 X 50MM	82054000	10	38
62-257	PH0 X 100MM	82054000	10	39
62-258	PH0 X 150MM	82054000	10	52
62-259	PH1 X 100MM	82054000	10	60
62-260	PH1 X 150MM	82054000	10	67
62-261	PH1 X 200MM	82054000	10	78
62-262	PH2 X 100MM	82054000	10	92
62-263	PH2 X 150MM	82054000	10	95
62-264	PH2 X 200MM	82054000	10	99
62-265	PH2 X 250MM	82054000	10	102
62-266	PH2 X 300MM	82054000	10	109
62-267	PH3 X 150MM	82054000	10	128
62-268	PH3 X 200MM	82054000	10	133
62-269	PH3 X 250MM	82054000	10	144
62-270	PH3 X 300MM	82054000	10	152

**PHILLIPS 2in1 SCREWDRIVER**



PART No.	DESCRIPTION	SIZE	HSN CODE	MOQ	MRP
66-432	PHILLIPS #2 X FLAT	6.0MM X 28MM (STUBBY)	82054000	12	87
66-433	PHILLIPS 2in1 SCREWDRIVER	PH0 X FLAT 3.5MM X 55MM	82054000	12	74
66-434	"	PH1 X FLAT 5.0MM X 75MM	82054000	12	87
66-435	"	PH00 X FLAT 2.3MM X 60MM	82054000	12	76
66-436	"	PH1 X PH0 X 200MM	82054000	12	93
66-437	"	PH2 X PH1 X 200MM	82054000	12	124
66-438	"	PH3 X PH2 X 200MM	82054000	12	167
66-439	INSULATED	PH2 X FLAT 6.0MM X 250MM	82054000	12	135
66-446	INSULATED	PH2 X FLAT 6.0MM X 100MM	82054000	12	113
66-447	INSULATED	PH2 X FLAT 6.0MM X 140MM	82054000	12	113
66-448	PHILLIPS 2in1 SCREWDRIVER	PH3 X FLAT 8.0MM X 140MM	82054000	12	146
66-449	"	PH2 X FLAT 6.0MM X 200MM	82054000	12	117

### 6PC CUSHION GRIP SCREWDRIVER SET



PART No.	DESCRIPTION	HSN CODE	MOQ	MRP
STHT65242-8	6PC CUSHION GRIP SET -CARDED	82054000	1	1,021
STHT92002-8	6PCS SET W/BONUS(Tester included)	82054000	1	1,070

### 16PCS CUSHION GRIP SCREWDRIVER SET



PART No.	DESCRIPTION	HSN CODE	MOQ	MRP
68-0002C	16PCS CUSHION GRIP SCREWDRIVER SET	82054000	1	2,980

### 6PC VDE SCREWDRIVER SET



PART No.	DESCRIPTION	HSN CODE	MOQ	MRP
65-980	6 PC VDE SCREWDRIVER SET WITH TESTER	82054000	1	2,980

### 9 WAY SCREWDRIVER SET



- ⊕ OPT 1PT, 2PT
- ⊖ OPT 1/8" 3mm, 3/16" 5mm, 1/4" 6mm

PART No.	DESCRIPTION	HSN CODE	MOQ	MRP
STHT62511-812	9-WAY SCREWDRIVER	82054000	6	820

### 6 WAY SCREWDRIVER SET



- ⊕ OPT 1PT, 2PT
- ⊖ OPT 1/8" 3mm, 3/16" 5mm, 1/4" 6mm

PART No.	DESCRIPTION	HSN CODE	MOQ	MRP
STHT68012-8	6-WAY SCREWDRIVER	82054000	6	393

### MULTI BITS 2 WAY



PART No.	DESCRIPTION	HSN CODE	MOQ	MRP
65-201	SCREWDRIVER MULTI BITS 2 WAY	82054000	6	435

### 10PC RATCHETING MULTI-BIT SCREWDRIVER



PART No.	DESCRIPTION	HSN CODE	MOQ	MRP
STHT68010-8	10PC RATCHETING MULTI-BIT SCREWDRIVER	82054000	6	849

### 6PC SCREWDRIVER PRECISION SET

66-039

66-052



PART No.	DESCRIPTION	HSN CODE	MOQ	MRP
66-039	6PC SCREWDRIVER PRECISION SET	82054000	12	341
66-052	SCREWDRIVER SET PRECISION BI-MATERIAL	82054000	12	318

### 29PCS SCREWDRIVER INSERT BIT SET



PART No.	DESCRIPTION	HSN CODE	MOQ	MRP
68-071-23	29PCS SCREWDRIVER INSERT BIT SET	82054000	6	353

### DIGITAL DETECTION SCREWDRIVER



PART No.	DESCRIPTION	HSN CODE	MOQ	MRP
66-137	DIGITAL DETECTION SCREWDRIVER	82054000	12	155

### LINESMAN TESTER



PART No.	DESCRIPTION	SIZE	HSN CODE	MOQ	MRP
66-119	LINESMAN TESTER	3MM	82054000	20	71
66-120	LINESMAN TESTER	5MM	82054000	20	72



**HEX KEYS**

**KEY SETS**

69-256-22



STMT69213-8



PART No.	DESCRIPTION	HSN CODE	MOQ	MRP
STMT69213-8	10 PC, HEX KEY RING SET	82041120	12	258
69-230	10PCS, HEX KEY SET-RING, IMPERIAL	82041120	12	252
69-253	10PC, HEX KEY SET METRIC	82041120	12	316
69-256	9PCS, HEX KEY SET, METRIC, L/ARM BALL	82041120	6	786
69-257	12PCS, HEX KEY SET, IMPERIAL, L/ARM	82041120	6	884

**12PC LONG BALL POINT HEX KEY**



PART No.	DESCRIPTION	HSN CODE	MOQ	MRP
94-163-23	12PCS. LONG BALL POINT HEX KEY	82041120	6	1,316

**9PCS EXTRA LONG BALL POINT HEX KEY**



PART No.	DESCRIPTION	HSN CODE	MOQ	MRP
94-158	9PCS. EXTRA LONG BALL POINT HEX	82041120	6	1,293

**9PCS EXTRA LONG BALL POINT HEX KEY**



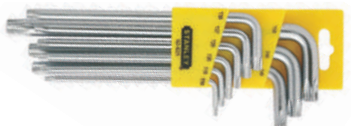
PART No.	DESCRIPTION	HSN CODE	MOQ	MRP
STMT94162-8	9 PC LONG SPHERIC-HEAD HEX KEY SET	82041120	12	1,094

**8PC LONG L-TYPE TAMPER PROOF TORX, HEX KEY**



PART No.	DESCRIPTION	HSN CODE	MOQ	MRP
92-624	8PC, LONG L-TYPE TAMPER PROOF TORX, HEX KEY	82041120	12	1,076

**9PC LONG TORX KEY SET**



PART No.	DESCRIPTION	HSN CODE	MOQ	MRP
STMT92625-8	9PC LONG TORX KEY SET (T10 TO T50)	82041120	6	1,544

**LONG BALL END HEX KEY**



PART No.	SIZE	HSN CODE	MOQ	MRP
STMT94099-8	1.5mm	82041120	6	59
94-080	2MM	82041120	6	82
STMT94101-8	2.5MM	82041120	6	91
STMT94102-8	3MM	82041120	6	82
STMT94103-8	4MM	82041120	6	104
STMT94104-8	5MM	82041120	6	124
STMT94106-8	6MM	82041120	6	161
STMT94108-8	8MM	82041120	6	206
94-088	10MM	82041120	3	316

**LONG HEX KEY**



PART No.	SIZE	HSN CODE	MOQ	MRP
94-149	12MM	82041120	3	286
94-150	14MM	82041120	12	423
94-151	16MM	82041120	12	563

**2-WAY T-HANDLE HEX KEY**



PART No.	SIZE	HSN CODE	MOQ	MRP
94-346	4.0MM	82041120	12	299
94-347	5.0MM	82041120	12	329
94-348	6.0MM	82041120	12	446
94-350	8.0MM	82041120	12	475



The STANLEY® CUSHION GRIP™ range is fully patented and meets ANSI standards, proving the range's durability and precision. These tools have easy-to-hold handles that are comfortable and ergonomic.

### REGULAR GLUE GUN



PART No.	DESCRIPTION	HSN CODE	MOQ	MRP
69-GR20B	GLUE-REG GUN ROUND PIN 100-240V CE	85151100	6	865

### CORDLESS GLUE GUN



PART No.	DESCRIPTION	HSN CODE	MOQ	MRP
STHT6-70416	25-WATTS PLASTIC CORDLESS GLUE GUN & METER CORD	85151100	1	2,599

### CORDED GLUE GUN



PART No.	DESCRIPTION	HSN CODE	MOQ	MRP
69-028B	HIGH TEMPERATURE CORDED GLUE GUN (7 MM)	85151100	1	1,999



### RIVETERS

STHT69646-8

STHT69800-8



PART No.	DESCRIPTION	HSN CODE	MOQ	MRP
STHT69646-8	MEDIUM DUTY RIVETER 3 NOZZLES	82059090	6	978
STHT69800-8	RIVETER-HEAVY DUTY, C/W 4 NOSE PIECES	82059090	6	1,302

### SOLDERING IRON



PART No.	DESCRIPTION	HSN CODE	MOQ	MRP
69-031B	SOLDERING IRON 30W/220V ROUND PIN	85151100	20	563

### LIGHT DUTY STAPLE GUN



PART No.	DESCRIPTION	HSN CODE	MOQ	MRP
6-TR35	LIGHT DUTY STAPLE GUN	84729010	6	676

### STAPLES



PART No.	DESCRIPTION	SIZE	HSN CODE	MOQ	MRP
1-TRA204T	L/D STAPLES(1000) A TYPE	6MM/1/4"	83052000	7	110
1-TRA205T	L/D STAPLES(1 000) A TYPE	8MM/5/16"	83052000	6	125
1-TRA206T	L/D STAPLES(1 000) A TYPE	10MM/3/8"	83052000	5	130

**STANLEY™**  
**HAND TOOLS**  
**AUTOMOTIVE MIXED**  
**TOOL SETS**



**150PC MASTER TOOL SET**



PART No.	DESCRIPTION	HSN CODE	MOQ	MRP
94-181	150PC MASTER TOOL SET	82060010	1	28,143

- 10 Pc 1/4 Drive 6 Point Socket: 5/32, 3/16, 7/32, 1/4, 9/32, 5/16, 11/32, 3/8, 7/16, 1/2
- 10Pc 1/4 Drive 6 Point Metric Sockets: 4,5,6,7,8,9,10,11,12,13mm
- 6 Pc 1/4 Drive 6 Point Metric Deep Socket: 4,5,6,7,8,9mm
- 3 Pc 3/8 Drive Phillips® Bit Socket #1, #2, #3
- 9 Pc 3/8 Drive 6 Point Socket: 3/8,7/16,1/2,9/16,5/8,11/16,3/4,13/16,7/8
- 6 Pc 3/8 Drive 6 Point Metric Deep Sockets:10,11,12,13,14,15mm
- 2 Pc 3/8 Drive Extension Bar-Locking : 3,6(76,152mm)
- 2 Pc 3/8 Drive Spark Plug Metric Sockets, 16,21mm
- 8 Pc 3/8 Drive 6 point Torx® Sockets : E 8,E 10,E 11,E 12,E 13,E 14,E 15,E 16,E 18,E 20
- 11 Pc 3/8 Drive 6 Point Metric Sockets: 9,10,11,12,13,14,15,16,17,18,19mm
- 4 Pc 1/2 Drive Impact 6 Point Metric Sockets: 17,19,21,23mm
- 4 Pc 1/2 Drive 12 Point Sockets: 15/16, 1, 1-1/16, 1-1/4
- 7 Pc 1/2 Drive 12 Point Sockets: 20,21,22,24,27,30,32mm
- 6 Pc 3/8 Drive Hex Bit Socket 3,4,5,6,8,10mm
- 3 Pc 3/8 Drive Pozidrive Bit Sockets: #1,#2,#3
- 12 Pc Full Polish Long Panel Combination Wrenches:  
8,9,10,11,12,13,14,15,16,17,18,19mm
- 3 Pc Double Box Reversal Metric Ratcheting Wrenches: 8×9,12×13,17×19mm
- 7 Pc 1/4 Drive Trox (Hole) Bit: T-10,T-15, T-20, T-27, T-30, T-40
- 10 Pc Hex Key: 1.5, 2.0, 2.5, 3.0, 4.5,6,7,8,10mm
- 1 Pc 1/4 Drive Pear Head Ratchet With Comfort Grip
- 1 Pc 1/4 Drive Extension Bar 100mm
- 1 Pc 1/4 Spinner Handle
- 6 Pc 1/2 Drive Deep 6 Point Metric Socket: 10, 12, 13, 14, 17, 19mm
- 2 Pc 1/2 Drive Extension Bar: 5,10(125, 150mm)
- 3 Pc 3/8 Drive Slotted Bit Sockets: 4, 5, 5, 6.5mm
- 7 Pc 3/8 Drive Trox® Bit Sockets: T-20, T-30, T-40, T-45, T- 50, T-55, T-60
- 1 Pc 1/4 Drive Universal Joint
- 1 Pc 1/4 Drive Adapter
- 1 Pc 3/8 Drive Universal Joint
- 1 Pc 3/8 Drive Pear Head Ratchet With Comfort Grip
- 1 Pc 1/2 Drive Pear Head Ratchet With Comfort Grip
- 1 Pc 1/2 Drive Universal Joint

**120PC MASTER TOOL SET**



PART No.	DESCRIPTION	HSN CODE	MOQ	MRP
91-931-12	120PC MASTER TOOL SET	82060010	1	1,8761

- "17Pc 3/8 Drive 6 Point Bit Socket: Torx®: T20,T30,T40,T45,T50,T55,T60 Hex : 3,4,5,6mm,
- Phillips® :1 Pt, 2Pt, POZIDRIVE®: 1 Pt,2 Pt, Slotted: 5.5,6.5mm"
- 12 Pc 1/4 Drive Socket 6 Point: 4,5,5.5,6,6.5,7,8,9,10,11,12,13mm
- 11 Pc 3/8 Drive Socket 6 Point: 9,10,11,12,13,14,15,16,17,18,19mm
- 10 Pc 1/4 Drive Socket 6 Point: 5/32,3/16,7/32,1/4,9/32,5/16,11/32,3/8,7/16,1/2
- 10 Pc Full Polish Long Panel Combination Wrenches: 9,10,11,12,13,14,17,18,19mm
- 9 Pc 3/8 Drive Socket 6 Point : 3/8,7/16,1/2,9/16,5/8,11/16,3/4,13/16,7/8
- 8 Pc 3/8 Drive Torx® Socket: E8,E10,E11,E12,E14,E16,E18,E20
- 7 Pc 1/2 Drive Socket 6 Point: 20,21,22,24,27,30,32mm
- 7 Pc 3/8 Drive Torx® (Hole) Bits: T10,T15,T20,T25,T27,T30,T40
- 4 Pc 1/4 Drive Deep Socket 6 Point: 8,9,10,12mm
- 4 Pc 3/8 Drive Deep Socket 6 Point: 13,14,15,17mm
- 4 Pc 1/2 Drive Socket 6 Point: 15/16, 1, 1-1/16, 1-1/4
- 4 Pc 1/2 Drive Impact Socket 6 Point: 14,19,21,23mm
- 3 Pc Universal Joint: 1/4,3/8,1/2
- 3 Pc Pear Head Ratchet: 1/4,3/8,1/2
- 2 Pc 3/8 Drive Extension Bar: 3,10 (75,250mm)
- 2 Pc 1/2 Drive Extension Bar: 5,10 (125,250mm)
- 2 Pc 3/8 Drive Spark Plug Socket 6 Point: 16,21mm
- 1 Pc 1/4 Drive Bit Adapter: 1/4
- 1 Pc 1/4 Drive Spanner
- 1 Pc 1/4 Drive Extension Bar: 2 (50mm)

**53PC TELECOMMUNICATION SETS**



PART No.	DESCRIPTION	HSN CODE	MOQ	MRP
STHT89883-812	53PC TELECOMMUNICATION SETS	82060010	1	14,500

- 13 Pc 1/4" dr. Drive 6 Point Socket: 4,4.5,5.5,6,7,8,9,10,11,12,13,14mm
- 10 Pc Hex Keys: 1.5,2,2.5,3,4,5,5.5,6,8,10mm
- "8 Pc Cushion Grip Screwdriver: Ph1\*75mm and 150mm, Ph2\*45mm and 100mmSL3\*75mm and 150, SL6.5\*40mm and 100mm"
- 6 Pc Precision Screwdriver Set: Opt, 1pt,1.4mm,2.0mm,2.4mm,3.0mm
- 1 Pc Standard Digital Multi Meter
- 1 Pc Utility Knife
- 1 Pc 6" Long Nose Pliers
- 1 Pc 8" Linensman Pliers
- 1 PC Mini-hacksaw
- 1 Pc 10" Adjustable Wrench
- 1 Pc 9" Wire Stripper
- 1 Pc Spinner Handle
- 1 Pc 1/4" Dr.Drive Adaptor
- 1 Pc Soldering Iron 40w/22v
- 1 Pc Solder
- 1 Pc Desoldering Pump 94-380
- 1 Pc Digital Spark Tester
- 1 Pc Tweezers

**132PC MASTER TOOL SET**



PART No.	DESCRIPTION	HSN CODE	MOQ	MRP
99-059-12	132PC METRIC & A/F TOOL KIT	82060010	1	24714

- 33 Pc Assorted 1/4" Bits, Screwdriver, Hex and Torx®
- 33 Pc 1/2" Drive Standard Socket: Metric:  
10,11,12,13,14,15,16,17,18,19,20,21,22,23,24,27,30,32mm A/F:  
3/8,7/16,1/2,9/16,5/8,11/16,3/4,13/16,7/8,15/16,1-1/16,1-1/8,1-3/16,1-1/4"
- 19 Pc Combination Spanners: Metric: 8,9,10,11,12,13,14,15,16,17,18,19mm A/F:  
3/8,7/16,1/2,9/16,5/8,11/16,3/4"
- 16 Pc 1/4" Drive Standard Socket: Metric: 4,4.5,5.5,6,7,8,9,10mm A/F:  
3/16,7/32,1/4,9/32,5/16,11/32,3/8"
- 9 Pc Hex Key Set-Long Ball Type: 1.5,2,2.5,3,4,5,6,8,10mm
- 6 Pc 1/2" Drive Socket Accessories: Heavy Duty Ratchet, 75, 125 and 125mm Extensions,  
Universal Joint, Flex Bar
- 6 Pc 1/4" Drive Socket Accessories: Heavy Duty Ratchet, 50 and 150mm Extensions,  
Universal Joint, Socket Driver, Bit Holder
- 4 Pc Screwdrivers: Slotted 5×100mm, 6×150mm Phillips® # 1×100mm, # 2×150mm
- 2 Pc 1/2" Drive Spark Plug Socket: 5/8 and 13/16"
- 1 Pc Adjustable Wrench: 300mm
- 1 Pc 152mm Diagonal Cutting Pliers
- 1 Pc 152mm Long Nose Pliers
- 1 Pc 178mm Combination Pliers

110PC MULTI TOOL SET



PART No.	DESCRIPTION	HSN CODE	MOQ	MRP
STMT81243	110PC MULTI TOOL SET	82060010	1	9,700

- 13 Pc 1/4" dr. Drive 6 Point Socket: 4,4.5,5,5.5,6,7,8,9,10,11,12,13,14mm
- 10 Pc Hex Keys: 1.5,2,2.5,3,4,5,5.5,6,8,10mm
- "8 Pc Cushion Grip Screwdriver: Ph1\*75mm and 150mm, Ph2\*45mm and 100mm SL3\*75mm and 150, SL6.5\*40mm and 100mm"
- 6 Pc Precision Screwdrive Set: Opt, 1pt,1.4mm,2.0mm,2.4mm,3.0mm
- 1 Pc Standard Digital Multi Meter
- 1 Pc Utility Knife
- 1 Pc 6" Long Nose Pliers
- 1 Pc 8" Linensman Pliers
- 1 Pc Mini-hacksaw
- 1 Pc 10" Adjustable Wrench
- 1 Pc 9" Wire Stripper
- 1 Pc Spinner Handle
- 1 Pc 1/4" Dr.Drive Adaptor
- 1 Pc Soldering Iron 40w/22v
- 1 Pc Solder
- 1 Pc Desoldering Pump 94-380
- 1 Pc Digital Spark Tester
- 1 Pc Tweezers
- 1 Pc Measuring Tape-3M
- 1 Pc Plastic Box

38 PC HONDA 2 WHEELER SERVICE TOOL KIT



PART No.	DESCRIPTION	HSN CODE	MOQ	MRP
HONDA TL-KIT	HONDA TOOLS KIT	82055990	1	15,127

- 1 PC 70-938E COMBINATION SPANNER, 8mm
- 1 PC 70-940E COMBINATION SPANNER, 10mm
- 1 PC 70-942E COMBINATION SPANNER, 12mm
- 1 PC 70-944E COMBINATION SPANNER, 14mm
- 1 PC 70-947E COMBINATION SPANNER, 17mm
- 1 PC STMT87434-8 ADJUSTABLE WRENCH, 300mm-12"
- 1 PC 70-379E DOUBLE ENDED OPEN SPANNER 8PC. SET 6x7- 20x22mm
- 1 PC 70-375E DOUBLE ENDED OPEN JAW CRV SPANNER 24x27mm
- 1 PC 70-377E DOUBLE ENDED OPEN JAW CRV SPANNER 30x32mm
- 1 PC 54-114 BALL PEIN HAMMER 450gms - 16 Oz
- 1 PC STMT69213-8 METRIC HEX KEY SET-RING,10 Pcs
- 1 PC 70-395E SHALLOW OFFSET RING SPANNER SET 6x7-30x32mm
- 1 PC 70-461 COMB Plier SINGLE COLOR SLEEVE, 205mm-8"
- 1 PC 84-096-23 MINIATURE PLIER, NEEDLE NOSE, 127mm-5"
- 1 PC 70-462 LONG NOSE PLIER,SINGLE COLOUR SLEEVE, 152mm-6"
- 1 PC STHT84105-8 DIAGONAL CUTTING PLIER, 152mm-6"
- 1 PC 84-341-23 CIRCLIP PLIER, BENT EXTERNAL,180mm-7"
- 1 PC STMT93302-8 T-Bar Socket 8 mm
- 1 PC STMT93303-8 T-Bar Socket 9 mm
- 1 PC STMT93304-8 T-Bar Socket 10 mm
- 1 PC STMT93306-8 T-Bar Socket 12 mm
- 1 PC STMT93308-8 T-Bar Socket 14 mm
- 1 PC STMT93309-8 T-Bar Socket 17 mm
- 1 PC 94-346 4.0mm 2-Way T-handle Hex Key
- 1 PC 94-347 5.0mm 2-Way T-handle Hex Key
- 1 PC 94-348 6.0mm 2-Way T-handle Hex Key
- 1 PC 94-350 8.0mm 2-Way T-handle Hex Key
- 1 PC STMT60808-8 C/GRIP S/DRIVER PH2x38mm
- 1 PC STMT60812-8 C/GRIP S/DRIVER PH2x200mm
- 1 PC STMT60813-8 C/GRIP S/DRIVER PH2x250mm
- 1 PC STMT60814-8 C/GRIP S/DRIVER PH3x150mm
- 1 PC STMT60819-8 C/GRIP S/DRIVER 3mmx125mm
- 1 PC STMT60821-8 C/GRIP S/DRIVER 5mmx75mm
- 1 PC STMT60829-8 C/GRIP S/DRIVER 6.5mmx200mm
- 1 PC STMT60833-8 C/GRIP S/DRIVER 8mmx250mm
- 1 PC 89-516-12 3/8" Sq.Dr. 46Pc. SOCKET & BIT SET(MET/IMP)
- 1 PC 1-86-214 ADAPTER 3/8" Sq. Dr. (F) \* 1/4" Sq. Dr.(M)
- 1 PC 1-86-414 ADAPTER 1/2" Sq. Dr. (F) \* 3/8" Sq. Dr. (M)

19 PC TYRE SHOP SERVICE KIT



PART No.	DESCRIPTION	HSN CODE	MOQ	MRP
TS-TLKIT	TYRE SHOP SERVICE KIT	82055990	1	13,722

- 1 PC 70-380E 12 Pc Double Ended Open Spanner Size 6x7 TO 30x32mm
- 1 PC 70-395E 12 Pc Double Ended Ring Spanner Size 6x7 TO 30x32mm
- 1 PC STMT72795-8 24-Pieces 1/2 inch Drive Metric Socket Set
- 1 PC 1-86-440 Sliding T - Handle, 1/2" Sq. Dr. Size: 243mm
- 1 PC 71-643 Stillson Pipe Wrench - 14"
- 1 PC 71-670 Gas Plier / Monkey Plier / Groove Joint Plier -Size: 12"
- 1 PC 70-461 Combination Plier - 8"
- 1 PC 70-462 Nose Plier Size - 6"
- 1 PC 84-369-1-23 Locking Plier - 10"
- 1 PC STMT60819-8 C/GRIP S/DRIVER 3mmx125mm
- 1 PC STMT60824-8 C/GRIP S/DRIVER STANDARD 5MM X 200MM
- 1 PC STMT60833-8 C/GRIP S/DRIVER STANDARD 8MM X 250MM
- 1 PC STMT60805-8 C/GRIP S/DRIVER PHILLIPS PH1 X 100mm
- 1 PC STMT60812-8 C/GRIP S/DRIVER PHILLIPS PH2 X 200mm
- 1 PC STMT60816-8 C/GRIP S/DRIVER PHILLIPS PH3 X 250mm
- 1 PC 54-114 B.P. Hammer of size 450gms
- 1 PC 95IB56400E Sledge Hammer 2 kg.
- 1 PC STHT10099-8 Classic 99 Retractable Utility Knife- 6"
- 1 PC 1-94-738 Cantilever Tool Box

37 PC VESPA 2 WHEELER SERVICE TOOL KIT



PART No.	DESCRIPTION	HSN CODE	MOQ	MRP
VESPA-TL-KIT	VESPA TOOLS KIT	82055990	1	11,085

- 1 PC. 70-938E COMBINATION SPANNER, 8mm
- 1 PC. 70-940E COMBINATION SPANNER, 10mm
- 1 PC. 70-942E COMBINATION SPANNER, 12mm
- 1 PC. 70-944E COMBINATION SPANNER, 14mm
- 1 PC. 70-947E COMBINATION SPANNER, 17mm
- 1 PC. STMT87434-8 ADJUSTABLE WRENCH, 300mm-12"
- 1 PC. 70-379E DOUBLE ENDED OPEN SPANNER 8PC. SET 6x7- 20x22mm
- 1 PC. 70-375E DOUBLE ENDED OPEN JAW CRV SPANNER 24x27mm
- 1 PC. 70-377E DOUBLE ENDED OPEN JAW CRV SPANNER 30x32mm
- 1 PC. 54-114 BALL PEIN HAMMER 450gms - 16 Oz
- 1 PC. STMT69213-8 METRIC HEX KEY SET-RING,10 Pcs
- 1 PC. 70-395E SHALLOW OFFSET RING SPANNER SET 6x7-30x32mm
- 1 PC. 70-461 COMB Plier SINGLE COLOR SLEEVE, 205mm-8"
- 1 PC. 84-096-23 MINIATURE PLIER, NEEDLE NOSE, 127mm-5"
- 1 PC. 70-462 LONG NOSE PLIER,SINGLE COLOUR SLEEVE, 152mm-6"
- 1 PC. STHT84105-8 DIAGONAL CUTTING PLIER, 152mm-6"
- 1 PC. 84-341-23 CIRCLIP PLIER, BENT EXTERNAL,180mm-7"
- 1 PC. STMT93302-8 T-Bar Socket 8 mm
- 1 PC. STMT93303-8 T-Bar Socket 9 mm
- 1 PC. STMT93304-8 T-Bar Socket 10 mm
- 1 PC. STMT93306-8 T-Bar Socket 12 mm
- 1 PC. STMT93308-8 T-Bar Socket 14 mm
- 1 PC. STMT93309-8 T-Bar Socket 17 mm
- 1 PC. 94-346 4.0mm 2-Way T-hdl Hex Key
- 1 PC. 94-347 5.0mm 2-Way T-hdl Hex Key
- 1 PC. 94-348 6.0mm 2-Way T-hdl Hex Key
- 1 PC. 94-350 8.0mm 2-Way T-hdl Hex Key
- 1 PC. STMT60808-8 C/GRIP S/DRIVER PH2x38mm
- 1 PC. STMT60812-8 C/GRIP S/DRIVER PH2x200mm
- 1 PC. STMT60813-8 C/GRIP S/DRIVER PH2x250mm
- 1 PC. STMT60814-8 C/GRIP S/DRIVER PH3x150mm
- 1 PC. STMT60819-8 C/GRIP S/DRIVER 3mmx125mm
- 1 PC. STMT60821-8 C/GRIP S/DRIVER 5mmx75mm
- 1 PC. STMT60829-8 C/GRIP S/DRIVER 6.5mmx200mm
- 1 PC. STMT60833-8 C/GRIP S/DRIVER 8mmx250mm
- 1 PC. 1-86-214 ADAPTER 3/8" Sq. Dr. (F) \* 1/4" Sq. Dr.(M)
- 1 PC. 1-86-414 ADAPTER 1/2" Sq. Dr. (F) \* 3/8" Sq. Dr. (M)

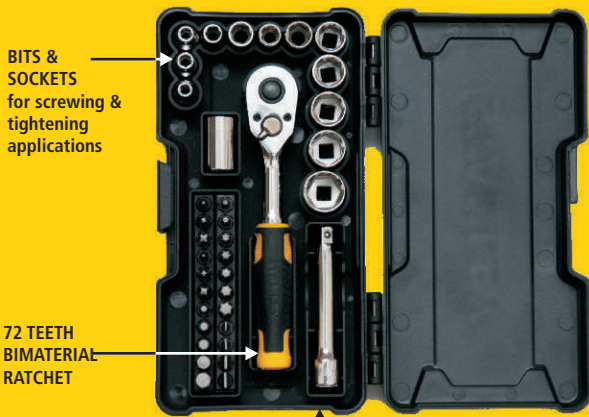
**STANLEY™**  
HAND TOOLS

**SOCKETS SETS**



**SOCKETS THAT FASTEN YOUR MECHANICS**

**NEW**  
with  
PUSH  
BUTTON  
LOCK



BITS & SOCKETS for screwing & tightening applications

72 TEETH BIMATERIAL RATCHET

COMPACT CASE for easy transport and storage

**37 PC 1/4" COMPACT SOCKET SET**



- 1 1pc 1/4" 72 tooth bimaterial ratchet
- 2 12pc 1/4" Sockets (12-points): 4, 4.5, 5, 6, 7, 8, 9, 10, 11, 12, 13, 14 mm
- 3 1pc 1/4" Short extension: 3"
- 4 1pc 1/4" Bit Holder
- 5 22pc 1/4"
  - + + Bits: PZ1, PZ2, PZ3, PH1, PH2, PH3
  - Hex: 3, 4, 5, 6, 7
  - ★ Torx: 10, 15, 20, 25, 27, 30, 40
  - ⊖ Slotted: 4, 5, 6, 7

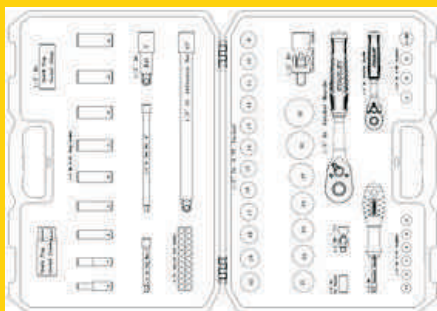
PART No.	DESCRIPTION	HSN CODE	MOQ	MRP
STMT82672-0-12	37 PC 1/4" COMPACT SOCKET SET	82060010	1	1,999

**SOCKETS THAT FASTEN YOUR MECHANICS**

**NEW**  
with  
PUSH  
BUTTON  
LOCK



- DURABLE BLOWMOLD - CASE with plastic latches
- FULL POLISH SOCKETS - 6-points profile
- 72 TOOTH - BI-MATERIAL RATCHET



**72 PC 1/4"+1/2" SOCKET SET**



- 1x 1/4' 72T bi-material ratchet
- 10x 1/4' sockets (6-points) : 5.5 – 14 mm
- 9x 1/4" long sockets (6-points) : 6 – 14 mm
- 2x 1/4" extensions : 3" – 6", 2x 1/2' extensions : 3" – 10"
- 1x 1/4" universal joint, 1x 1/2' universal joint
- 1x 1/4" bit holder, 2x 1/2' spark plugs : 16 – 21 mm
- 1x 1/4' spinner
- 22x 1/4' bits : + + PZ1-PZ2-PZ3 – PH1-PH2-PH3 ○ HEX3-4-5-6-7
- ★ Torx10-15-20-25-27-30-40 ⊖ SLOTTED4-5-6-7
- 1x 1/2' 72T bi-material ratchet
- 19x 1/2' sockets (6-points) : 8 – 32 mm

PART No.	DESCRIPTION	HSN CODE	MOQ	MRP
STMT82831-1-12	72 PC 1/4"+1/2" SOCKET SET	82060010	1	8,550

\* Available from Sept 2019

### 86PC 1/4 & 1/2 SQ.DR. SOCKET SET



PART No.	DESCRIPTION	HSN CODE	MOQ	MRP
94-190	86PC 1/4 & 1/2 SQ.DR. SOCKET SET-6PT MET	82060010	1	11,400

14 Pc 1/4 Drive 6 Point Metric Socket: 3.5,4,4.5,5,5.5,6,7,8,9,10,11,12,13,14mm  
 8 Pc 1/4 Drive 6 Point Metric Deep Sockets: 6,7,8,9,10,11,12,13mm  
 2 Pc 1/4 and 1/2 Drive Pear Head Ratchet With Comfort Grip  
 2 Pc 1/4 Drive Extension Bar: 2,4(50, 100mm)  
 1 Pc 1/4 Sliding -Bar : 4(100mm)  
 1 Pc 1/4 Drive Bit Spinner  
 1 Pc 1/4 Drive Universal Joint  
 1 Pc 3/8 Drive Female and 1/2 Drive Male: 3-Way Adapter  
 14 Pc 1/2 Drive 6 Point Metric Sockets:  
 13,14,15,16,17,18,19,20,21,22,23,24,27,30,32mm  
 4 Pc 1/2 Drive 6 Point Deep Metric Sockets: 14,16,17,19mm  
 2 Pc 1/2 Drive Extension Bar: 5,10 (125,250mm)  
 1 Pc Drive Universal Joint  
 1 Pc Drive Bit Holder: 5/16  
 2 Pc 1/2 Drive 6 Point Spark Plung Metric Sockets: 16,21mm  
 6 Pc 1/4 Drive Torx® Bit Sockets: T-8,T-10,T-15,T-25,T-30  
 4 Pc 1/4 Drive Hex Bit Sockets: 3,4,5,6mm  
 2 Pc 1/4 Drive Phillips® Bit Socket: #1, #2  
 2 Pc 1/4 Drive Pozidriv® Bit Socket: #1, #2  
 3 Pc 1/4 Drive Slotted Bit Sockets: 4,5,5.6,5mm  
 3 Pc 5/16 Drive Slotted® : 8,10,12mm  
 2 Pc 5/16 Drive Phillips® BIT : #3,#4  
 2 Pc 5/16 Drive Pozidriv®BIT : #3,#4  
 4 Pc 5/16 Drive Torx® Bit With Rubber Holder: T-40,T-45,T-50,T-55  
 4 Pc 5/16 Drive Hex Bits: 8,10,12,14mm

### 35PC 1/4 SQ. DR. SOCKET SET



PART No.	DESCRIPTION	HSN CODE	MOQ	MRP
1-89-033	35PC 1/4 SQ. DR. SOCKET SET 6PT MET	82060010	1	2,449

13 Pc 1/4 Drive 6 Point Sockets: 4,4.5,5,5.5,6,7,8,9,10,11,12,13,14mm  
 1 Pc Spinner Handle  
 2 Pc Extensions : 75,150mm  
 1 Pc Universal Joint  
 1 Pc " Professional " Ratchet  
 1 Pc Hex Bit Holder  
 4 Pc Hex Bit:3,4,5,6mm  
 6 Pc Torx® Bits: T-10,T-15,T-20,T-25,T-30,T-40  
 3 Pc Posidrive® Bits: 1,2,3  
 3 Pc Slotted Bits: 4,5,5.6,5

### 46PC 1/4 SQ. DR. SOCKET & BIT SET



PART No.	DESCRIPTION	HSN CODE	MOQ	MRP
STMT72794-8-12	46PC 1/4 SQ. DR. SOCKET & BIT SET	82060010	1	2,658

1 Pc 1/4 Drive Quick Release Ratchet  
 2 Pc 1/4 Drive Extensions: 50 and 100mm  
 1 Pc 1/4 Drive Flexible Extension  
 1 Pc 1/4 Drive Universal Joint  
 1 Pc 1/4 Drive Sliding T-bar  
 1 Pc Drive Spinner Handle  
 4 Pc 1/4 Hex Keys 1.5,2,2.5,3mm  
 "22 Pc 1/4 Drive Bit Sockets- Hex 3,4,5,6,7,8mm Torx® T8,T10,T15,T20,T25,T30,T40  
 Phillips® 1 Pt, 2 Pt, 3 pt Pozidriv® 1,2,3 Slotted- 4,5,5,7mm"  
 13 Pc 1/4 Drive 6 Point Sockets: 4,4.5,5,5.5,6,7,8,9,10,11,12,13,14mm

### 19 PCS. 3/4" DR. METRIC 12 POINT SOCKET SET



PART No.	DESCRIPTION	HSN CODE	MOQ	MRP
89-101-12	19 PCS 3/4" DR METRIC 12 POINT SOCKET SET	82060010	1	15,448

13 Pc 3/4 Drive 12 Point Sockets: 22,24,27,28,29,30,32,33,34,36,38,41,42,46,50mm  
 "4 Pc 3/4 Drive Accessories:  
 2 Pc Extension Bar: 200 and 400mm sliding T-bar 480mm Standard Ratchet"

### 24PC 3/8 SQ.DR. 6PT SOCKET SET



PART No.	DESCRIPTION	HSN CODE	MOQ	MRP
1-89-035	24PC 3/8 SQ.DR. 6PT SOCKET SET MET	82060010	1	3,362

19 Pc 3/8" Drive 6 Point Sockets: 6,7,8,9,10,11,12,13,14,15,16,17,18,19,20,21,22,23,24mm  
 "5 Pc 3/8" Drive Accessories: Extension: 75, 150mm Universal Joint Sliding T-Bar Professional Ratchet"

### 46PC 3/8" SQ DR. DRIVE SOCKET SET



PART No.	DESCRIPTION	HSN CODE	MOQ	MRP
89-516-12	46PC 3/8" SQ DR. DRIVE SOCKET SET	82060010	1	4,031

7 Pc 3/8 Drive 12 Point Socket: 3/8,7/16,1/2,9/16,5/8,11/16,3/4  
 12 Pc 3/8 Drive 12 Point Sockets: Metric-8,9,10,11,12,13,14,15,16,17,18,19mm  
 9 Pc 1/4 Drive Bit Set: Pozidriv Bit-1,2,3mm and Hex Bit-3,4,5,6,7,8mm  
 9 Pc 1/4 Drive Bit Set: Slotted Bits- 4,5,6,5 and Torx® Bits - T10,T15,T20,T30,T40  
 9 Pc 3/8 Drive Accessories: 2 Pc. Spark Plug Socket 6 Point Socket: 5/8 and 13/16,  
 2 Pc Extension Bar-75 and 150mm 1 Pc Universal Joint,  
 1 Pc Adapter 1 Pc Full Polish Quick Release Ratchet,  
 1 Pc 1/4 Drive Bir Adapter 1/4 Drive Spinner Handle"

### 43PCS 1/2 SQ. DR. 12PT SOCKET SET



PART No.	DESCRIPTION	HSN CODE	MOQ	MRP
89-509-12	43PCS 1/2 SQ. DR. 12PT SOCKET SET MET/IMP	82060010	1	8,359

15 Pc 1/2 Drive 12 Point Sockets: 3/16, 7/16, 1/2, 9/16, 1-1/16, 5/8, 11/16, 3/4, 13/16, 7/8,  
 15/16, 1-1/8, 1-3/16, 1-1/4  
 20 Pc 1/2 Drive 12 Point Socket: Metric-  
 10,11,12,13,14,15,16,17,18,19,20,21,22,23,24,25,26,27,28,29,30,32mm  
 "8 Pc 1/2 Drive Accessories: 2 Pc 6 Point Spark Plug Socket: 5/8, and 13/16, Universal Joint,  
 1 Pc Flex Handle-375mm, 3 Extension Bars-3,5 and 10(75,125,250),  
 1 Pc Full Polish Quick Release Ratchet"

**27PCS 1/2 SQ. DR. 12PT SOCKET SET**



PART No.	DESCRIPTION	HSN CODE	MOQ	MRP
86-477-12	27PC-1/2 SQ. DR 12PT SOCKET SET MET	82060010	1	5,069

20 Pc 1/2 Drive 12 Point Sockets:  
 10,11,12,13,14,15,16,17,18,19,20,21,22,23,24,25,26,27,30,32mm  
 6 Pc: 1/2 Drive Accessories : 2 Pc Extension Bar: 5 and 10(125 and 250mm) Universal Joint  
 1 Pc Spark Plug Socket 6 Point 13/16,  
 1 Pc Sliding T-bar 10(254mm),  
 1 Pc Flip-Drive Ratchet

**25PCS 1/2 SQ. DR.12PT SOCKET SET**



PART No.	DESCRIPTION	HSN CODE	MOQ	MRP
86-478-12	25PCS 1/2 SQ. DR.12PT SOCKET SET IMP	82060010	1	4,834

"20 Pc 1/2 Drive 12 Point Socket:  
 1/4,5/16,3/8,7/16,1/2,9/16,19/32,5/8,11/16,3/4,25/32,13/167/8,15/16,31/32,1-1/16,1-1/8  
 1-3/16,1-1/4"  
 "6 Pc 1/2 Drive Accessories: 2 Extension Bar: 5 and 10(125,250mm), 1Pc Universal Joint  
 1 Pc Spark Plung Socket 6 Point 13/16, 1 Sliding T-bar 10(254mm), pc Flip-drive Ratchet"

**24 PCS 1/2 SQ. DRIVE 6 PT SOCKET SET**



PART No.	DESCRIPTION	HSN CODE	MOQ	MRP
STMT72795-8-12	24 PCS 1/2 SQ. DRIVE 6 PT SOCKET SET	82060010	1	4,403

1 Pc 1/2 Drive Quick Release Ratchet  
 2 Pc 1/2 Drive Extensions: 130 and 250mm  
 1 Pc 1/2 Drive Universal Joint  
 1 Pc 1/2 Drive Sliding T-handle  
 1 Pc 1/2 Drive Spark Plung Sockets 21mm  
 18 Pc 1/2 Drive 6 Point Socket-10,11,12,13,14,15,16,17,18,19,20,21,22,23,24,27,30,32mm

**9 PC 1/2" DR. TORX BIT SOCKET SET**



PART No.	DESCRIPTION	HSN CODE	MOQ	MRP
89-098-12	9 PC 1/2" DR TORX BIT SOCKET SET	82060010	1	1,401

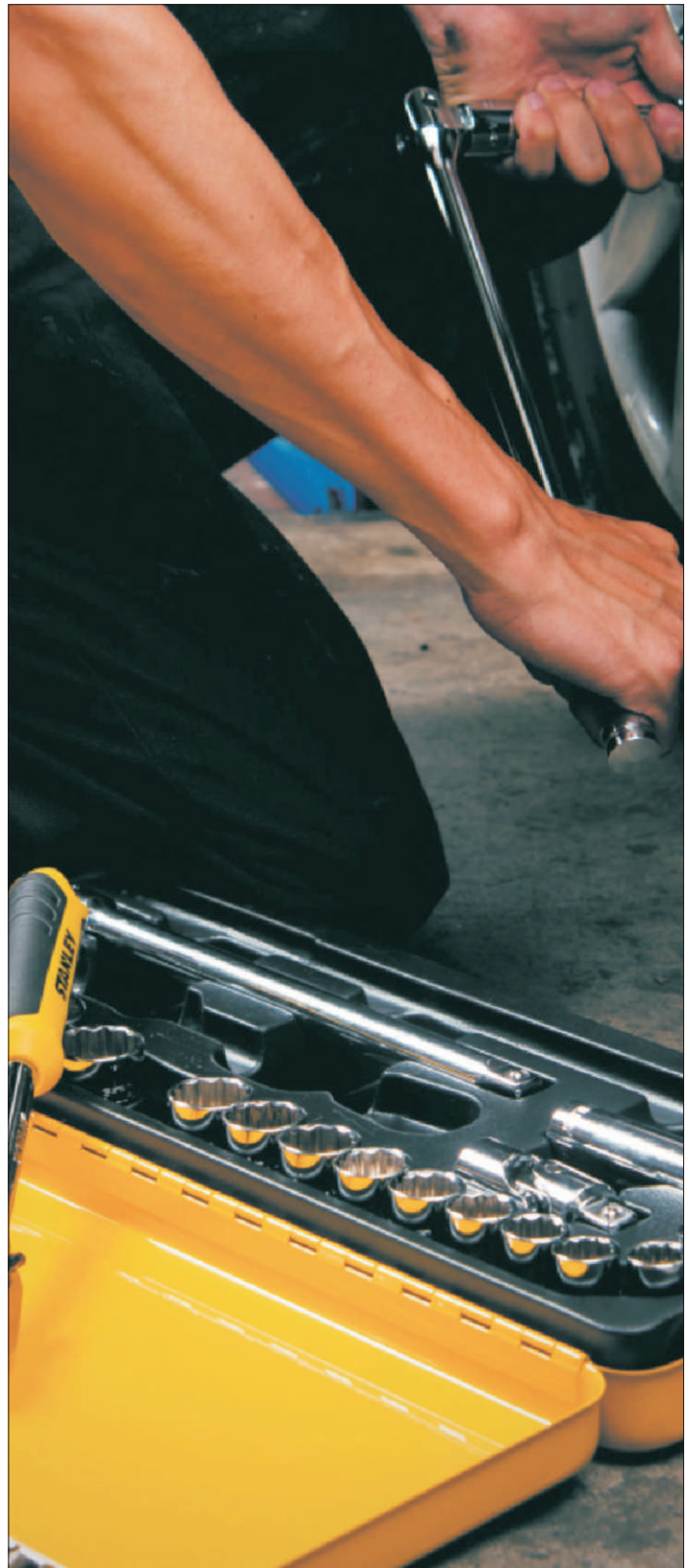
9 Pc 1/2 Drive Torx® Bit Socket Set-Metric-T-20,T-25,T-27,T-30,T-40,T-45,T-50,T-55,T-60

**7PC 1/2 SQ. DR. HEX BIT SOCKET SET**



PART No.	DESCRIPTION	HSN CODE	MOQ	MRP
1-89-099	7PC 1/2 SQ. DR. HEX BIT SOCKET SET MET	82060010	1	1,277

7 Pc 1/2 Drive Hex Bit Socket: 6,8,10,12,14,17,19mm



**STANLEY**<sup>™</sup>  
HAND TOOLS

**SOCKETS & RACHETS**



**1/4" 6 PT STANDARD SOCKET**



PART No.	SIZE	HSN CODE	MOQ	MRP
STMT72872-8B-12	3.5MM	82042000	18	115
STMT72873-8B-12	4MM	82042000	18	115
STMT72874-8B-12	4.5MM	82042000	18	115
STMT72875-8B-12	5MM	82042000	18	115
STMT72876-8B-12	5.5MM	82042000	18	115
STMT72877-8B-12	6MM	82042000	18	115
STMT72878-8B-12	7MM	82042000	18	115
STMT72879-8B-12	8MM	82042000	18	115
STMT72880-8B-12	9MM	82042000	15	135
STMT72881-8B-12	10MM	82042000	15	135
STMT72882-8B-12	11MM	82042000	13	135
STMT72883-8B-12	12MM	82042000	8	135
STMT72884-8B-12	13MM	82042000	8	135
STMT72885-8B-12	14MM	82042000	8	135

**1/4" 6 PT DEEP SOCKET**



PART No.	SIZE	HSN CODE	MOQ	MRP
STMT73197-8B-12	4MM	82042000	18	145
STMT73198-8B-12	5MM	82042000	18	145
STMT73199-8B-12	5.5MM	82042000	18	145
STMT73200-8B-12	6MM	82042000	18	145
STMT73201-8B-12	7MM	82042000	12	145
STMT73202-8B-12	8MM	82042000	18	145
STMT73203-8B-12	9MM	82042000	15	145
STMT73204-8B-12	10MM	82042000	12	155
STMT73205-8B-12	11MM	82042000	10	155
STMT73206-8B-12	12MM	82042000	8	155
STMT73207-8B-12	13MM	82042000	8	155
STMT73208-8B-12	14MM	82042000	11	155

**3/8" 6 PT STANDARD SOCKET**



PART No.	SIZE	HSN CODE	MOQ	MRP
STMT72914-8B-12	6MM	82042000	12	70
STMT72915-8B-12	7MM	82042000	12	139
STMT72916-8B-12	8MM	82042000	12	139
STMT72917-8B-12	9MM	82042000	12	132
STMT72918-8B-12	10MM	82042000	12	60
STMT72919-8B-12	11MM	82042000	12	60
STMT72920-8B-12	12MM	82042000	12	150
STMT72921-8B-12	13MM	82042000	12	79
STMT72922-8B-12	14MM	82042000	11	154
STMT72923-8B-12	15MM	82042000	11	82
STMT72924-8B-12	16MM	82042000	15	95
STMT72925-8B-12	17MM	82042000	14	101
STMT72926-8B-12	18MM	82042000	14	104
STMT72927-8B-12	19MM	82042000	11	113
STMT72928-8B-12	20MM	82042000	10	119
STMT72929-8B-12	21MM	82042000	9	132
STMT72930-8B-12	22MM	82042000	8	142
STMT72931-8B-12	23MM	82042000	8	148
STMT72932-8B-12	24MM	82042000	7	158

**3/8" 12 PT STANDARD SOCKET**



PART No.	SIZE	HSN CODE	MOQ	MRP
1-86-342	7MM	82042000	6	58
1-86-343	8MM	82042000	6	58
1-86-344	9MM	82042000	6	58
1-86-345	10MM	82042000	6	58
1-86-346	11MM	82042000	6	58
1-86-347	12MM	82042000	6	62
1-86-348	13MM	82042000	6	67
1-86-349	14MM	82042000	6	67
1-86-350	15MM	82042000	6	76
1-86-351	16MM	82042000	6	85
1-86-352	17MM	82042000	6	87
1-88-146	18MM	82042000	6	84
1-88-147	19MM	82042000	6	89
1-88-148	20MM	82042000	4	100
1-88-149	21MM	82042000	4	116
1-88-150	22MM	82042000	4	132
1-88-151	23MM	82042000	4	139

**1/2" 6 PT STANDARD SOCKET**



PART No.	SIZE	HSN CODE	MOQ	MRP
1-86-508	8MM	82042000	6	75
1-86-509	9MM	82042000	6	75
1-86-510	10MM	82042000	6	75
1-86-511	11MM	82042000	6	75
1-86-512	12MM	82042000	6	75
1-86-513	13MM	82042000	6	75
1-86-514	14MM	82042000	6	75
1-86-515	15MM	82042000	6	75
1-88-738	16MM	82042000	6	75
1-88-739	17MM	82042000	6	85
1-88-740	18MM	82042000	6	85
1-88-741	19MM	82042000	6	85
1-88-742	20MM	82042000	6	85
1-88-743	21MM	82042000	4	85
1-88-744	22MM	82042000	4	110
1-88-745	23MM	82042000	4	110
1-88-746	24MM	82042000	4	110
1-88-747	25MM	82042000	4	130
1-88-748	26MM	82042000	4	130
1-88-749	27MM	82042000	4	160
1-88-750	28MM	82042000	4	160
1-88-751	29MM	82042000	4	170
1-88-752	30MM	82042000	2	190
1-88-753	32MM	82042000	2	220
1-86-196	34MM	82042000	2	280
1-86-536	36MM	82042000	2	396





### 1/2" 12 PT STANDARD SOCKET



PART No.	SIZE	HSN CODE	MOQ	MRP
1-86-540	8MM	82042000	6	75
1-86-542	10MM	82042000	6	75
1-86-543	11MM	82042000	6	75
1-86-544	12MM	82042000	6	75
1-86-545	13MM	82042000	6	75
1-86-546	14MM	82042000	6	75
1-86-547	15MM	82042000	6	75
1-88-788	16MM	82042000	6	75
1-88-789	17MM	82042000	6	85
1-88-790	18MM	82042000	6	85
1-88-791	19MM	82042000	6	85
1-88-792	20MM	82042000	4	85
1-88-793	21MM	82042000	4	85
1-88-794	22MM	82042000	4	110
1-88-796	24MM	82042000	4	110
1-88-799	27MM	82042000	4	160
1-88-802	30MM	82042000	2	190
1-88-803	32MM	82042000	2	220
1-86-192	34MM	82042000	2	280

### 1/2" 6 PT DEEP SOCKET



PART No.	SIZE	HSN CODE	MOQ	MRP
STMT73324-8B-12	10MM	82042000	7	170
STMT73325-8B-12	11MM	82042000	7	170
STMT73326-8B-12	12MM	82042000	7	180
STMT73327-8B-12	13MM	82042000	7	180
STMT73328-8B-12	14MM	82042000	7	180
STMT73329-8B-12	15MM	82042000	7	180
STMT73330-8B-12	16MM	82042000	6	190
STMT73331-8B-12	17MM	82042000	6	190
STMT73332-8B-12	18MM	82042000	6	190
STMT73333-8B-12	19MM	82042000	4	220
STMT73334-8B-12	21MM	82042000	6	220
STMT73335-8B-12	22MM	82042000	5	220
STMT73336-8B-12	23MM	82042000	5	220
STMT73337-8B-12	24MM	82042000	5	240
STMT73338-8B-12	27MM	82042000	4	300
STMT73339-8B-12	30MM	82042000	2	380
STMT73340-8B-12	32MM	82042000	2	410

### 1/2" 12 PT DEEP SOCKET



PART No.	SIZE	HSN CODE	MOQ	MRP
1-86-418	10MM	82042000	6	170
1-86-419	11MM	82042000	6	170
1-86-420	12MM	82042000	6	180
1-86-421	13MM	82042000	6	180
1-86-422	14MM	82042000	6	180
1-86-423	15MM	82042000	6	180
1-86-424	16MM	82042000	6	190
1-86-425	17MM	82042000	6	190
1-86-426	18MM	82042000	6	190
1-86-427	19MM	82042000	6	220
1-86-428	20MM	82042000	6	220
1-86-429	21MM	82042000	4	220
1-86-430	22MM	82042000	4	220
1-86-432	24MM	82042000	4	240
1-86-433	25MM	82042000	4	270
1-86-434	26MM	82042000	4	270
1-86-435	27MM	82042000	4	300
1-86-436	28MM	82042000	4	300
1-86-438	30MM	82042000	4	380
1-86-439	32MM	82042000	4	410

### 1/2" HEXAGONAL BIT SOCKET



PART No.	SIZE	HSN CODE	MOQ	MRP
STMT73371-8B-12	4 MM	82042000	6	185
STMT73372-8B-12	5 MM	82042000	6	185
STMT73373-8B-12	6 MM	82042000	6	185
STMT73374-8B-12	7 MM	82042000	6	195
STMT73375-8B-12	8 MM	82042000	6	195
STMT73376-8B-12	9 MM	82042000	6	200
STMT73377-8B-12	10 MM	82042000	6	200
STMT73378-8B-12	12 MM	82042000	6	230
STMT73379-8B-12	14 MM	82042000	6	230
STMT73380-8B-12	17 MM	82042000	3	275
STMT73381-8B-12	19 MM	82042000	2	350

### 1/2" TORX BIT SOCKET



PART No.	SIZE	HSN CODE	MOQ	MRP
STMT73389-8B-12	T20	82042000	6	190
STMT73390-8B-12	T25	82042000	6	190
STMT73391-8B-12	T27	82042000	6	190
STMT73392-8B-12	T30	82042000	6	190
STMT73393-8B-12	T40	82042000	6	190
STMT73394-8B-12	T45	82042000	6	190
STMT73395-8B-12	T50	82042000	6	190
STMT73396-8B-12	T55	82042000	6	190
STMT73397-8B-12	T60	82042000	6	190

### 1/2" SPLINE BIT SOCKET



PART No.	SIZE	HSN CODE	MOQ	MRP
STMT73415-8B-12	M-5	82042000	6	200
STMT73416-8B-12	M-6	82042000	6	200
STMT73417-8B-12	M-8	82042000	6	200
STMT73418-8B-12	M-10	82042000	6	220
STMT73419-8B-12	M-12	82042000	6	220
STMT73420-8B-12	M-14	82042000	6	250
STMT73421-8B-12	M-16	82042000	3	320



1/2" TORX SOCKET



PART No.	SIZE	HSN CODE	MOQ	MRP
STMT73362-88-12	E10	82042000	15	160
STMT73363-88-12	E11	82042000	15	160
STMT73364-88-12	E12	82042000	15	160
STMT73365-88-12	E14	82042000	15	160
STMT73366-88-12	E16	82042000	15	160
STMT73367-88-12	E18	82042000	15	160
STMT73368-88-12	E20	82042000	15	170
STMT73369-88-12	E22	82042000	12	200
STMT73370-88-12	E24	82042000	6	240

3/4" 6 PT SOCKET



PART No.	SIZE	HSN CODE	MOQ	MRP
STMT89319-88-12	19MM	82042000	4	480
STMT89322-88-12	22MM	82042000	4	490
STMT89324-88-12	24MM	82042000	4	500
STMT89325-88-12	25MM	82042000	4	510
STMT89327-88-12	27MM	82042000	4	550
STMT89328-88-12	28MM	82042000	4	570
STMT89330-88-12	30MM	82042000	4	580
STMT89332-88-12	32MM	82042000	4	620
STMT89333-88-12	33MM	82042000	4	630
STMT89334-88-12	34MM	82042000	4	640
STMT89336-88-12	36MM	82042000	4	680
STMT89338-88-12	38MM	82042000	4	720
STMT89341-88-12	41MM	82042000	4	800
STMT89346-88-12	46MM	82042000	4	1,000
STMT89350-88-12	50MM	82042000	4	1,050

3/4" 12 PT SOCKET



PART No.	SIZE	HSN CODE	MOQ	MRP
STMT89619-88-12	19MM	82042000	4	480
STMT89624-88-12	24MM	82042000	4	500
STMT89627-88-12	27MM	82042000	4	550
STMT89628-88-12	28MM	82042000	4	570
STMT89630-88-12	30MM	82042000	4	580
STMT89636-88-12	36MM	82042000	4	680
STMT89638-88-12	38MM	82042000	4	720
STMT89650-88-12	50MM	82042000	4	1,050
STMT89655-88-12	55MM	82042000	4	1,250

3/4" RATCHET WITH HANDLE



PART No.	DESCRIPTION	HSN CODE	MOQ	MRP
STMT91316-88-12	3/4" RATCHET WITH HANDLE	82042000	2	3,247

PEARHEAD RATCHET



PART No.	DESCRIPTION	HSN CODE	MOQ	MRP
STMT95895-88-12	1/4" SD PEAR HEAD RATCHET P9	82042000	8	1,279
STMT95894-88-12	3/8" SD PEAR HEAD RATCHET P9	82042000	10	1,371
STMT95893-88-12	1/2" SD PEAR HEAD RATCHET P9	82042000	5	1,657
1-93-637	3/8" SQ. DR. PEAR HEAD RATCHET NP7	82042000	4	1,397
1-93-638	1/2" SQ. DR. PEAR HEAD RATCHET NP7	82042000	8	1,622

ROUND HEAD RATCHET



PART No.	DESCRIPTION	HSN CODE	MOQ	MRP
STMT86395-88-12	1/4" ROUND HEAD RATCHET	82041120	4	624
1-86-397	RATCHET 1/2 SQ. DR. QUICK RELEASE	82042000	4	865
STMT86396-88-12	3/8" ROUND HEAD RATCHET	82041120	8	630

FLIP DRIVE RATCHET



PART No.	DESCRIPTION	HSN CODE	MOQ	MRP
1-87-720	RATCHET 1/2 SQ. DR. FLIP DRIVE	82041120	4	765

FLEX HANDLE RATCHET



PART No.	DESCRIPTION	SIZE	HSN CODE	MOQ	MRP
1-86-405	FLEX HANDLE 1/2 SQ. DR.	250MM-10	82042000	4	593
STMT89302-88-12	3/4" SWIVEL HANDLE		82042000	2	2,381

EXTENSION BARS



PART No.	DESCRIPTION	SIZE	HSN CODE	MOQ	MRP
STMT91059-88-12	1/4" EXTENSION	50MM	82042000	11	145
STMT91339-88-12		100MM	82042000	33	161
STMT86007-88-12		150MM	82042000	10	212
STMT86206-88-12	3/8" EXTENSION	75MM	82042000	3	173
STMT86207-88-12		125MM	82042000	8	197
STMT86208-88-12		250MM	82042000	21	268
1-86-406	1/2" EXTENSION	63MM	82042000	4	152
STMT88930-88-12		75MM	82042000	5	223
STMT86407-88-12		125MM	82042000	6	273
STMT86408-88-12		250MM	82042000	12	391
STMT89307-88-12	3/4" EXTENSION	200MM	82042000	4	950
STMT89308-88-12		400MM	82042000	2	1,488

FLEX HANDLE RATCHET



PART No.	DESCRIPTION	SIZE	HSN CODE	MOQ	MRP
STMT86001-88-12	1/4" FLEXIBLE EXTENSION	150MM	82042000	10	338

### SPEEDER HANDLE



PART No.	DESCRIPTION	SIZE	HSN CODE	MOQ	MRP
1-86-212	HANDLE SPEEDER 3/8 SQ. DR.	380MM	82042000	6	599
STMT86412-8B-12	HANDLE SPEEDER 1/2 SQ. DR.	420MM	82042000	4	715

### L-HANDLE



PART No.	DESCRIPTION	SIZE	HSN CODE	MOQ	MRP
86-493-12	L-HANDLE 1/2 SQ. DR	250MM-10	82042000	4	467

### SLIDING TEE



PART No.	SIZE	HSN CODE	MOQ	MRP
STMT86010-8B-12	1/4"	82042000	10	291
STMT86202-8B-12	3/8"	82042000	4	499
1-86-440	1/2"	82042000	4	404
STMT89303-8B-12	3/4"	82042000	2	1,390

### COUPLER & ADAPTER



PART No.	DESCRIPTION	HSN CODE	MOQ	MRP
STMT86002-8B-12	COUPLER 1/4" DR F TO 3/8" DR M	82042000	15	137
1-86-214	ADAPTER 3/8" DR F*1/4" DR.M	82042000	6	76
1-86-414	ADAPTER 1/2" DR F*3/8" M	82042000	6	119
1-86-215	ADAPTER 3/8 SQ. DR F*1/2 SQ. DR.M	82042000	6	114
1-88-558	ADAPTER 1/2 SQ. DR. F*3/4 SQ. DR. M	82042000	6	224
STMT88908-8B-12	ADAPTER 3/4" DR F TO 1/2" DR M	82042000	4	337



### MAGNETIC PICK UP SOCKET



PART No.	DESCRIPTION	HSN CODE	MOQ	MRP
STMT73082-8B-12	1/4" MAGNETIC PICK UP SOCKET	82042000	18	246

### BIT HOLDER



PART No.	DESCRIPTION	HSN CODE	MOQ	MRP
STMT86124-8B-12	1/4" BIT HOLDER	82042000	15	132
STMT86250-8B-12	3/8" HOLDER FOR 1/4 BITS	82042000	11	171

### UNIVERSAL JOINT



PART No.	SIZE	HSN CODE	MOQ	MRP
STMT86011-8B-12	1/4"	82042000	8	210
STMT86211-8B-12	3/8"	82042000	8	194
STMT86411-8B-12	1/2"	82042000	10	300
STMT93091-8B-12	3/4"	82042000	4	1,744

### SPARK PLUG SOCKET



PART No.	DESCRIPTION	SIZE	HSN CODE	MOQ	MRP
STMT88941-8B-12	SPARK PLUG SOCKET 3/8" 6 PT	16MM	82042000	2	288
STMT88996-8B-12	SPARK PLUG SOCKET 1/2" 12 PT	21MM	82042000	4	246

### T-HANDLE



PART No.	SIZE	HSN CODE	MOQ	MRP
STMT93302-8	8MM	82042000	10	473
STMT93303-8	9MM	82042000	10	473
STMT93304-8	10MM	82042000	10	473
STMT93305-8	11MM	82042000	10	461
STMT93306-8	12MM	82042000	10	487
STMT93307-8	13MM	82042000	10	487
STMT93308-8	14MM	82042000	10	492
STMT93309-8	17MM	82042000	10	600

### 13 PC 1/2" STD IMPACT SOCKET SET



PART No.	DESCRIPTION	HSN CODE	MOQ	MRP
STMT73916-8	"1/2 STD IMPACT SOCKET SET (13PCS) 10-11-12-13-14-15-16-17-18-19-21-22-24MM"	82042000	1	2,477

### 1/2" IMPACT SOCKET



PART No.	SIZE	HSN CODE	MOQ	MRP
STMT89435-8B	8MM	82042000	10	145
STMT89436-8B	9MM	82042000	10	145
STMT89437-8B	10MM	82042000	10	145
STMT89438-8B	11MM	82042000	10	145
STMT89439-8B	12MM	82042000	10	145
STMT89440-8B	13MM	82042000	10	145
STMT89441-8B	14MM	82042000	10	145
STMT89442-8B	15MM	82042000	10	145
STMT89443-8B	16MM	82042000	10	145
STMT89444-8B	17MM	82042000	10	145
STMT89445-8B	18MM	82042000	10	145
STMT89446-8B	19MM	82042000	10	155
STMT89447-8B	20MM	82042000	10	175
STMT89448-8B	21MM	82042000	10	175
STMT89449-8B	22MM	82042000	10	205
STMT89450-8B	23MM	82042000	10	230
STMT89451-8B	24MM	82042000	10	230
STMT89452-8B	25MM	82042000	10	250
STMT89453-8B	26MM	82042000	10	250
STMT89454-8B	27MM	82042000	10	280
STMT89455-8B	28MM	82042000	10	315
STMT89456-8B	30MM	82042000	10	340
STMT89457-8B	31MM	82042000	10	365
STMT89458-8B	32MM	82042000	10	365

### 1/2" IMPACT DEEP SOCKET



PART No.	SIZE	HSN CODE	MOQ	MRP
STMT91379-8B	12MM	82042000	10	280
STMT87501-8B	14MM	82042000	10	275
STMT87504-8B	17MM	82042000	10	323
STMT87506-8B	19MM	82042000	10	333
STMT87507-8B	21MM	82042000	10	439

### 3/8" IMPACT SOCKET



PART No.	SIZE	HSN CODE	MOQ	MRP
STMT73429-8B	8MM	82042000	10	110
STMT73430-8B	9MM	82042000	10	110
STMT73431-8B	10MM	82042000	10	110
STMT73432-8B	11MM	82042000	10	110
STMT73433-8B	12MM	82042000	10	110
STMT73434-8B	13MM	82042000	10	110
STMT73435-8B	14MM	82042000	10	110
STMT73436-8B	15MM	82042000	10	110
STMT73437-8B	16MM	82042000	10	120
STMT73438-8B	17MM	82042000	10	120
STMT73439-8B	18MM	82042000	10	120
STMT73440-8B	19MM	82042000	10	130
STMT73441-8B	21MM	82042000	10	150
STMT73442-8B	22MM	82042000	10	165
STMT73443-8B	24MM	82042000	10	180

### 3/8" DEEP IMPACT SOCKET



PART No.	SIZE	HSN CODE	MOQ	MRP
STMT73444-8B	8MM	82042000	10	200
STMT73445-8B	9MM	82042000	10	200
STMT73446-8B	10MM	82042000	10	200
STMT73447-8B	11MM	82042000	10	200
STMT73448-8B	12MM	82042000	10	200
STMT73449-8B	13MM	82042000	10	200
STMT73450-8B	14MM	82042000	10	200
STMT73451-8B	15MM	82042000	10	200
STMT73452-8B	16MM	82042000	10	200
STMT73453-8B	17MM	82042000	10	220
STMT73454-8B	18MM	82042000	10	245
STMT73455-8B	19MM	82042000	10	245
STMT73456-8B	21MM	82042000	10	250
STMT73457-8B	22MM	82042000	10	275
STMT73458-8B	24MM	82042000	10	300

### 1/2" & 3/8" IMPACT EXTENSION



PART No.	SIZE	HSN CODE	MOQ	MRP	
STMT73493-8B	1/2" IMPACT EXTENSION	50MM	82042000	10	291
STMT73494-8B		125MM	82042000	10	418
STMT73495-8B		250MM	82042000	10	636
STMT73502-8B	3/8" IMPACT EXTENSION	75MM	82042000	10	175
STMT73503-8B		150MM	82042000	10	240

### IMPACT ACCESSORIES



PART No.	DESCRIPTION	HSN CODE	MOQ	MRP
STMT73497-8B	1/2" IMPACT UNIVERSAL JOINT	82042000	10	773
STMT73504-8B	3/8" IMPACT UNIVERSAL JOINT	82042000	10	490
STMT73506-8B	3/8" IMPACT COUPLER 3/8" F - 1/2" M	82042000	10	215
STMT73507-8B	1/2" IMPACT COUPLER 1/2" F - 3/8" M	82042000	10	230



“ STANLEY'S RANGE OF AIR TOOLS WHOLLY COMPLEMENT THE IMPACT SOCKETS SO THERE IS NO REASON NOT TO USE THE TWO OF THEM TOGETHER. ”

**STANLEY™**  
HAND TOOLS  
**AIRTOOLS**



**1/2" MINI IMPACT WRENCH**

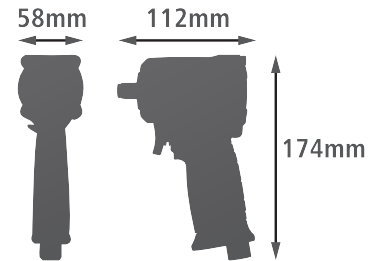
NEW  
1/2" DR. 678 N.m  
1/2" DR. 678 N.m



- One hand rotation switch - forward/reverse for either left or right handed users
- Speed control – One hand operation with 3 positions disc switch
- Compact aluminium for better access in tight areas
- Durable jumbo hammer
- Ergonomic handle
- High working torque
- Durable and light weight
- Ergonomically engineered

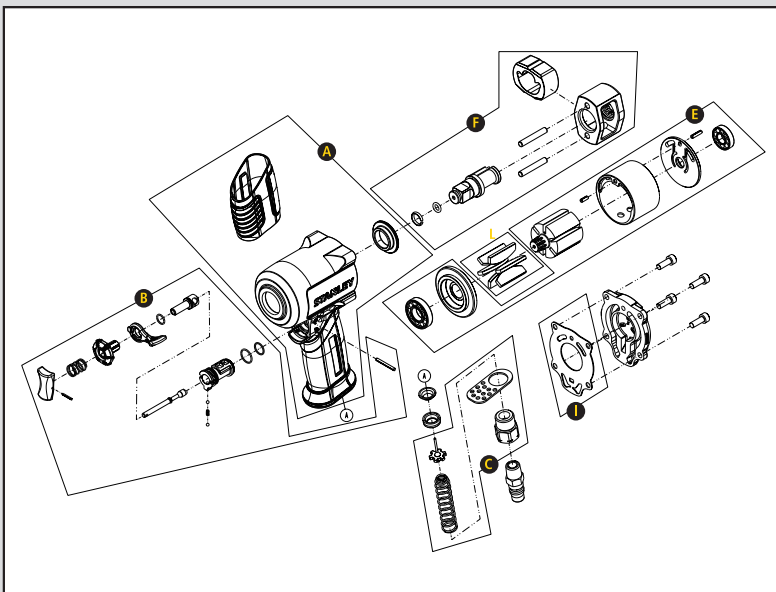
HSN CODE: 82041120  
MOQ: 1

**1/2" DR.**  
**678**  
MAX TORQUE N.m



SKU #	Description	Anvil (inch)	Max Torque (N.m)	Free Speed (RPM)	Average Air Consumption (CFM)	Air Pressure (PSI)	Hose Size (inch)	MRP
STMT74840-800	1/2" Mini Impact Wrench	1/2"	678	10,000	5.3	90	3/8"	14,884

**1/2" IMPACT WRENCH REPAIR KIT**

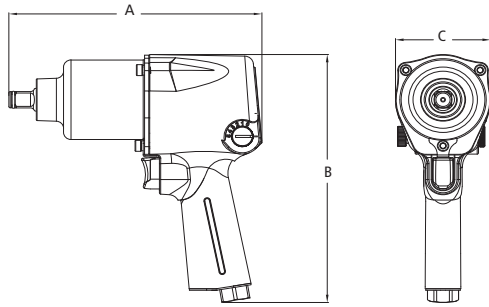


Serial No.	Parts No.	Description
A	12201-032U403- 1	Housing repair kit
B	72A MPT2032003- 1	Trigger set repair kit
C	72AMP T2032002- 1	Air inlet repair kit
E	12202- 0070073- 1	Cylinder repair kit
F	72AMP T2032001- 1	Hammer repair kit
I	12341- 0324704- 1	Gas ket
L	72AMP T3032001-1	Rotor Blade

\*Contact your service engineer for repair kit

**1/2" IMPACT WRENCH**

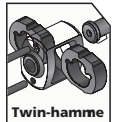
**NEW**  
 全新上市  
 全新上市  
 全新上市



- Patented hammer case improving durability
- 5 speeds forward and reverse
- Balanced weight design and handle exhaust directs air away
- Max. Torque: 610 N-m (450 ft-lb)
- Free Speed: 7500 RPM
- Air Consumption: 3.9 CFM
- hammering mechanism : twin hammer
- Vibration: 5.20 m/s2
- Noise level: 95 dB under no load
- HOUSING: Alum.
- EXHAUST: Handle
- Air Pressure : 90 PSI
- Air hose : 3/8"
- Air Inlet : 1/4"

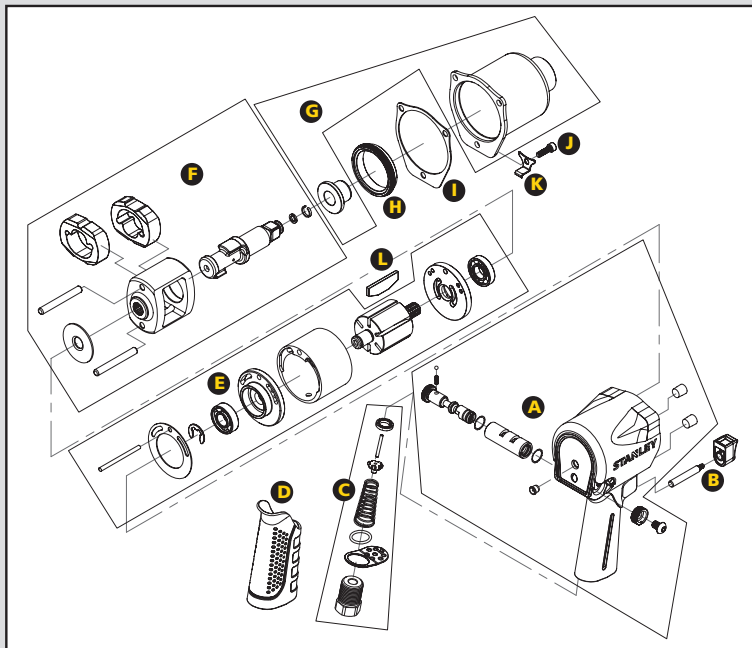
HSN CODE: 82041120  
 MOQ: 1

**1/2"DR.**  
**610**  
 MAX TORQUE N.m



SKU #	Description	A (mm)	B (mm)	C (mm)	Weight (kg)	MRP
STMT99300-8	1/2" Impact Wrench 610 N-m (450 ft-lb)	187	193	70	2.58	11,750

**1/2" IMPACT WRENCH REPAIR KIT**

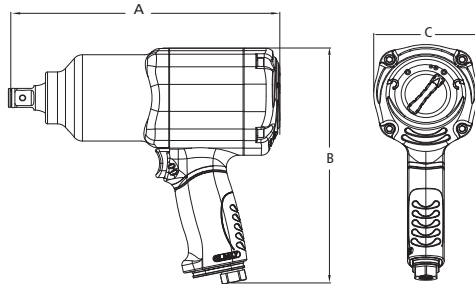


Serial No	Parts No	Description
A	K126001	Housing repair kit
B	K126011	Trigger set repair kit
C	K46008A	Air inlet repair kit
D	126042B	Handle grip
E	K126013	Cylinder repair kit
F	K106037	Hammer repair kit
G	K126039A	Front cover repair kit
H	116035	Hammer case pilot
I	126038	Gasket
J	16034	Screw
K	126040	Fixed plate
L	1260-25-A	Rotor Blade

\*Contact your service engineer for repair kit

**3/4" IMPACT WRENCH**

全新  
推出  
NEW  
全新  
推出  
NEW



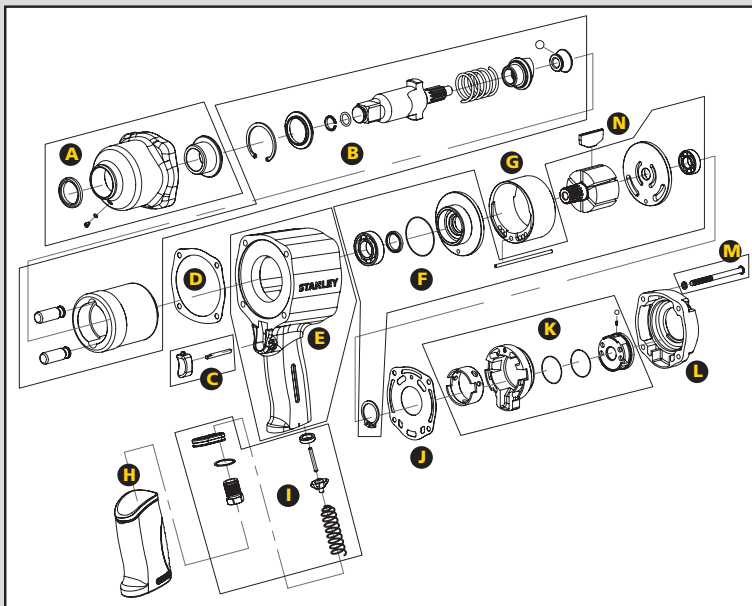
- High performance motor maximizes power output with full power in reverse; adjustable power in forward
- Balanced weight design and handle exhaust directs air away from the user
- Designed for fleet & truck service work
- Max. Torque: 1492 N-m (1.100 ft-lb)
- Free Speed: 3.600 RPM
- Air Consumption: 4.0 CFM
- Rotator: Pin Clutch
- Vibration: 5.50 m/s<sup>2</sup>
- Noise level: 96.2 under no load
- Housing: Alum.
- Exhaust: Handle
- Air Pressure : 90 PSI
- Air hose : 1/2 "
- Air Inlet : 1/4 "

HSN CODE: 82041120  
MOQ: 1



SKU #	Description	A (mm)	B (mm)	C (mm)	Weight (kg)	MRP
STMT97134-8	3/4" Impact Wrench 1492 N-m (1.100 ft-lb)	259	263	99	5.72	22,474

**3/4" IMPACT WRENCH REPAIR KIT**

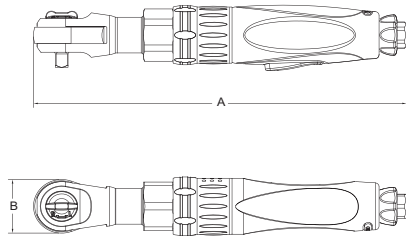


Serial No	Parts No	Description
A	K36144	Hammer Housing repair kit
B	K36122	Hammer Cage repair kit
C	K36104	Trigger repair kit
D	36131	Gasket
E	K36101	Housing repair kit
F	K36119	Rotor repair kit
G	36117	Cylinder
H	36147	Handle Grip
I	K36106	Valve Stem repair kit
J	36123	Gasket
K	K36128	Reverse Switch repair kit
L	36129	Rever Cover
M	36130/16126	Screw / Washer
N	36120	Rotor blade

\*Contact your service engineer for repair kit

# 3/8" AIR RATCHET

**NEW**  
全新上市  
全新上市  
全新上市



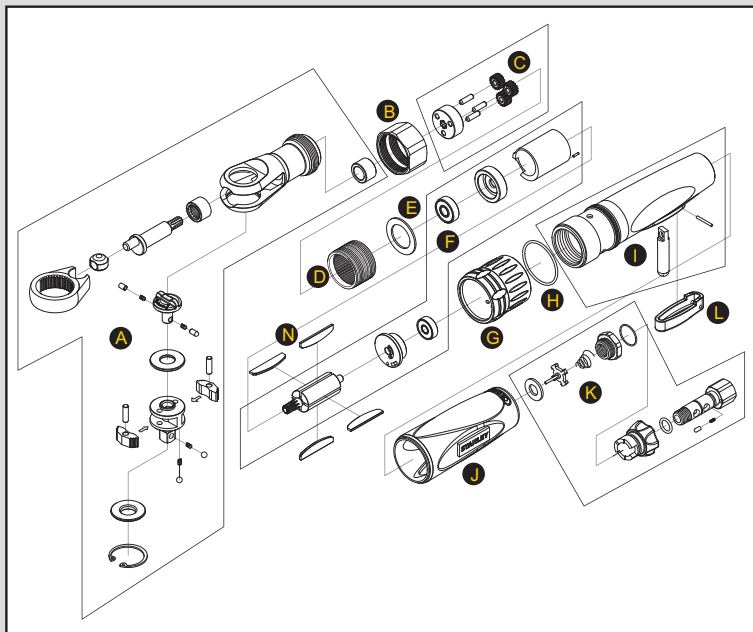
- Double ratchet pawls increase durability and tool life
- Enlarged forward and reverse switch
- Comfort rubber grip
- EXHAUST: 360° adjustable exhaust directs air away from the user
- Max. Torque: 81.4 N-m (60 ft-lb)
- Free Speed: 180 RPM
- Air Consumption: 3.9 CFM
- Rotator: Double Pawl
- Vibration: 3.73 m/s<sup>2</sup>
- Noise level: 88.50 dB under no load
- Air Pressure : 90 PSI
- Air hose : 3/8"
- Air Inlet :1/4"

HSN CODE: 82041120  
MOQ: 1



SKU #	Description	A (mm)	B (mm)	Weight (kg)	MRP
STMT78401-8	3/8" Air Ratchet 81.4 N-m (60 ft-lb)	278	41	1.22	4,972

## 3/8" AIR RATCHET REPAIR KIT



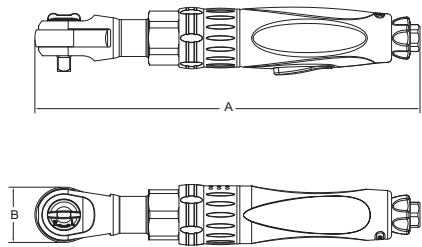
Serial No.	Parts No.	Description
A	K45021	Ratchet Housing repair kit
B	45015	Locking Nut
C	K15014	Gear repair kit
D	15012	Thread Ring Gear
E	45013	Washer
F	K15014	Cylinder repair kit
G	75020	Exhaust Delector
H	45055	O-Ring
I	K75001	Housing repair kit
J	75018	Housing grip
K	K66024	Air Inlet repair kit
L	75003	Trigger
M	SF001	Repair tool for STMT78056-8 & STMT78401-8
N	15016	Rotor blade

\*Contact your service engineer for repair kit



# 1/2" AIR RATCHET

**NEW**  
 全新上市  
 全新設計  
 全新外觀  
 全新功能  
 全新性能



- Double ratchet pawls increase durability and tool life
- Enlarged forward and reverse switch
- Comfort rubber grip
- EXHAUST: 360° adjustable exhaust directs air away from the user
- Max. Torque: 81.4 N-m (60 ft-lb)
- Free Speed: 180 RPM
- Air Consumption: 3.9 CFM
- Rotator: Double Pawl
- Vibration: 3.73 m/s<sup>2</sup>
- Noise level: 88.50 dB under no load
- Air Pressure : 90 PSI
- Air hose: 3/8"
- Air Inlet: 1/4"

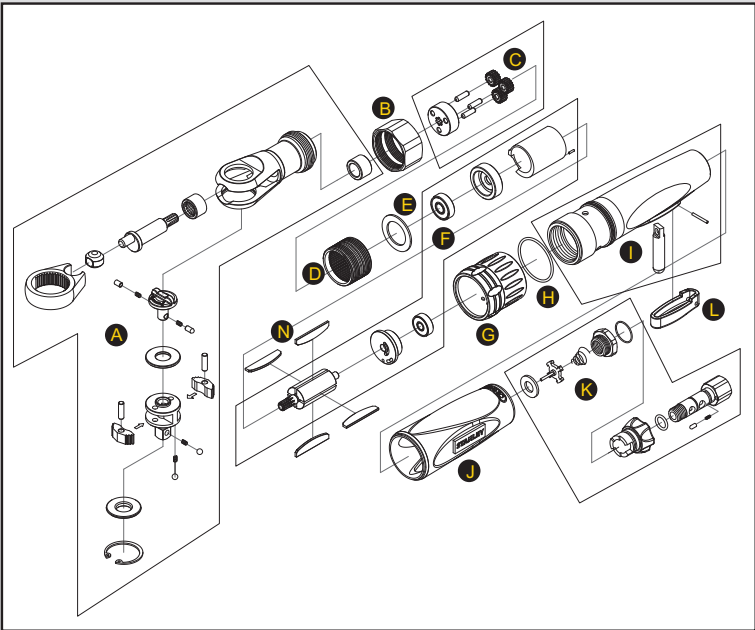


HSN CODE: 82041120  
 MOQ: 1



SKU #	Description	A (mm)	B (mm)	Weight (kg)	MRP
STMT78056-8	1/2" Air Ratchet 81.4 N-m (60 ft-lb)	278	41	1.22	5,315

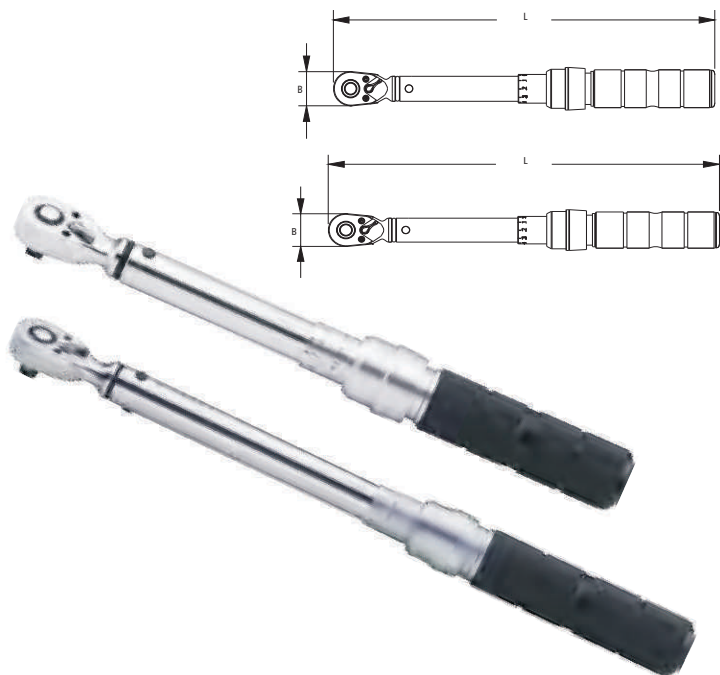
# 1/2" AIR RATCHET REPAIR KIT



Serial No.	Parts No.	Description
A	K45021B	Ratchet Housing repair kit
B	45015	Locking Nut
C	K15014	Gear repair kit
D	15012	Thread Ring Gear
E	45013	Washer
F	K15014	Cylinder repair kit
G	75020	Exhaust De/ector
H	45055	O-Ring
I	K75001	Housing repair kit
J	75018	Housing grip
K	K66024	Air Inlet repair kit
L	75003	Trigger
M	SF001	Repair tool for STMT78056-8 & STMT78401-8
N	15016	Rotor blade

\*Contact your service engineer for repair kit

**1/4" & 3/8" TORQUE WRENCH**



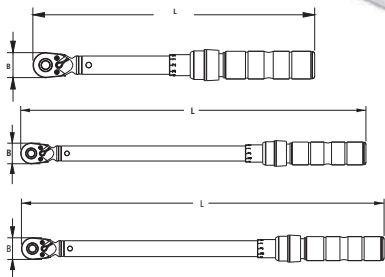
- ISO 6789, ASME B107.14
- Accuracy: +/- 4%
- Visual and audible indication
- Dual Way direction(C.W./C.C.W.) click Type
- Dual scales (N-m & in-lb.)
- Quick release button
- Adjusting ring locking system
- Aluminum Alloy handle with anodic treatment
- Si-Cr-Mo spring
- Cr-Mo pawl
- Cr-Mo square driver
- 48 Gear teeth

HSN CODE: 82041120  
MOQ: 1



SKU #	Description	Drive Size	Torque Range	Torque Range	Increment	B (mm)	L (mm)	Weight (kg)	MRP
STMT73587-8	1/4" Torque Wrench 5-25 N-m	1/4"	5-25 N-m	48.7-225.7 in-lb.	0.1 N-m	22.5	246	0.365	7,991
STMT73588-8	3/8" Torque Wrench 10-50N-m	3/8"	10-50 N-m	9.2-38.7 ft-lb	0.5 N-m	31	409	1.182	8,484

**1/2" TORQUE WRENCH 20-100NM / 40-200NM**



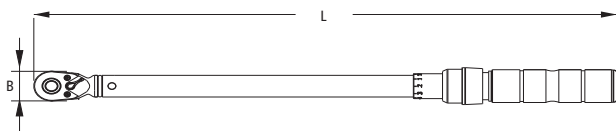
- ISO 6789, ASME B107.14
- Accuracy: +/- 4%
- Visual and audible indication
- Dual Way direction(C.W./C.C.W.) click Type
- Dual scales (N-m & ft-lb.)
- Quick release button
- Adjusting ring locking system
- Aluminum Alloy handle with anodic treatment
- Si-Cr-Mo spring
- Cr-Mo pawl
- Cr-Mo square driver
- 48 Gear teeth

HSN CODE: 82041120  
MOQ: 1



SKU #	Description	Drive Size	Torque Range	Torque Range	Increment	B (mm)	L (mm)	Weight (kg)	MRP
STMT73589-8	1/2" Torque Wrench 20-100N-m	1/2"	20-100 N-m	16.6-75.6 ft-lb	0.5 N-m	31	409	1.19	8,725
STMT73590-8	1/2" Torque Wrench 40-200N-m	1/2"	40-200 N-m	33.2-151.2 ft-lb	1 N-m	41	519	1.6	9,709
STMT73591-8	1/2" Torque Wrench 60-340N-m	1/2"	60-340 N-m	51.6-258.1 ft-lb	2 N-m	41	610	1.785	10,194

**3/4" TORQUE WRENCH 150-750NM**



- ISO 6789, ASME B107.14
- Accuracy: +/- 4%
- Visual and audible indication
- Dual Way direction(C.W./C.C.W.) click Type
- Dual scales (N-m & ft-lb)
- Quick release button
- Adjusting ring locking system
- Aluminum Alloy handle with anodic treatment
- Si-Cr-Mo spring
- Cr-Mo pawl
- Cr-Mo square driver
- 48 Gear teeth

HSN CODE: 82041120  
MOQ: 1



SKU #	Description	Drive Size	Torque Range	Torque Range	Increment	B (mm)	L (mm)	Weight (kg)	MRP
STMT73592-8	3/4" Torque Wrench 150-750N-m	3/4"	150-750 N-m	110-550 ft-lb	2.5 N-m	58	1112	5.87	34,551

**REPAIR KITS**



- 1/4" Square Drive × 1pc, Pawl × 1pc, Switch × 1pc, Steel Ball × 1pc, Screw × 2pcs, Spring × 1pc, Steel Cover × 1pc.
- 3/8" Square Drive × 1pc, Pawl × 1pc, Switch × 1pc, Steel Ball × 1pc, Screw × 3pcs, Spring × 1pc, Steel Cover × 1pc.
- 1/2" Square Drive × 1pc, Pawl × 1pc, Switch × 1pc, Steel Ball × 1pc, Screw × 3pcs, Spring × 1pc, Steel Cover × 1pc.
- 3/4" Square Drive × 1pc, Pawl × 1pc, Switch × 1pc, Steel Ball × 1pc, Screw × 3pcs, Spring × 1pc, Steel Cover × 1pc.



SKU #	Description	Drive Size	Carton Qty
STMT73852-8	1/4" Repair Kit 5-25Nm	1/4"	50
STMT73853-8	3/8" Repair Kit 10-50Nm	3/8"	50
STMT74901-8	1/2" Repair Kit 20-100Nm	1/2"	50
STMT73854-8	1/2" Repair Kit 40-200Nm	1/2"	50
STMT74902-8	1/2" Repair Kit 60-340Nm	1/2"	50
STMT73855-8	3/4" Repair Kit 150-750Nm	3/4"	25

\*Contact your service engineer for repair kit

# STANLEY™ HAND TOOLS PLIERS



### 8" COMBINATION PLIER, SINGLE COLOUR SLEEVE



PART No.	DESCRIPTION	HSN CODE	MOQ	MRP
70-461	8" COMBINATION PLIER, SINGLE COLOUR SLEEVE	82032000	6	297
70-482	8" COMBINATION PLIER, DOUBLE COLOUR SLEEVE	82032000	6	310

### 6" LONG NOSE PLIER, SINGLE COLOUR SLEEVE



PART No.	DESCRIPTION	HSN CODE	MOQ	MRP
70-462	6" LONG NOSE PLIER, SINGLE COLOUR SLEEVE	82032000	6	249
70-483	6" LONG NOSE PLIER DOUBLE COLOUR SLEEVE	82032000	6	293

### PLIER CIRCLIP, STRAIGHT INTERNAL



PART No.	SIZE	HSN CODE	MOQ	MRP
84-362-23	130MM-5	82032000	6	345
84-363-23	180MM-7	82032000	6	455
84-364-23	230MM-9	82032000	6	535

### PLIER CIRCLIP, STRAIGHT EXTERNAL



PART No.	SIZE	HSN CODE	MOQ	MRP
84-332-23	130MM-5	82032000	6	345
84-334-23	180MM-7	82032000	6	455
84-335-23	230MM-9	82032000	6	535

### PLIER CIRCLIP, BENT EXTERNAL



PART No.	SIZE	HSN CODE	MOQ	MRP
84-338-23	130MM-5	82032000	6	345
84-341-23	180MM-7	82032000	6	455
84-348-23	230MM-9	82032000	6	535

### PLIER CIRCLIP, BENT INTERNAL



PART No.	SIZE	HSN CODE	MOQ	MRP
84-446-23	130MM-5	82032000	6	345
84-447-23	180MM-7	82032000	6	455
84-448-23	230MM-9	82032000	6	535

### BASIC LINESMAN PLIERS

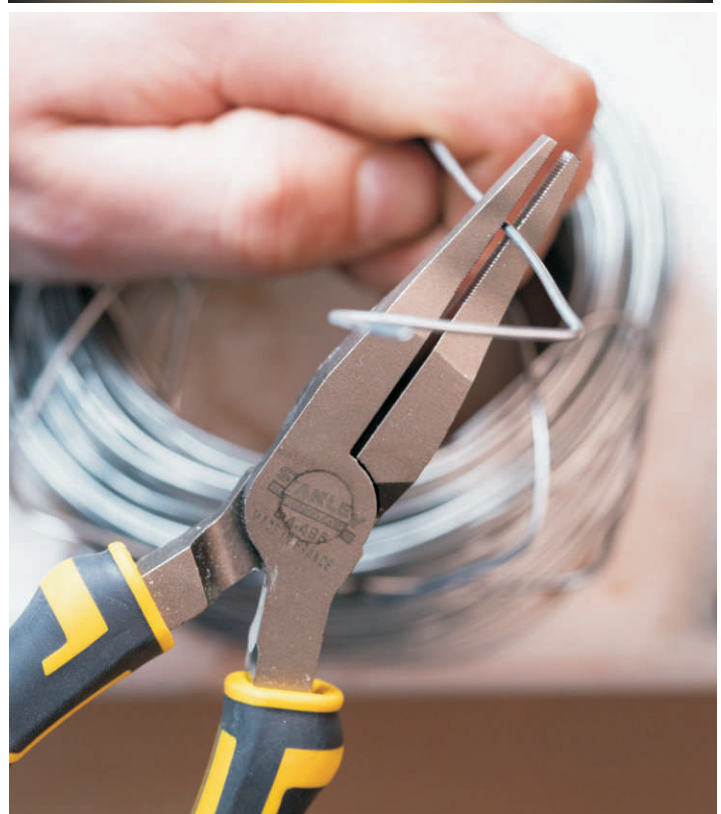


PART No.	SIZE	HSN CODE	MOQ	MRP
STHT84112-8	7" LENGTH	82032000	6	263
STHT84113-8	8" LENGTH	82032000	6	482

### BASIC DIAGONAL CUTTING PLIERS



PART No.	SIZE	HSN CODE	MOQ	MRP
STHT84105-8	6" LENGTH	82032000	6	330
STHT84108-8	7" LENGTH	82032000	6	373



**BASIC LONG NOSE PLIERS**



PART No.	SIZE	HSN CODE	MOQ	MRP
84-101-23	6" LENGTH 152MM	82032000	6	330
STHT84102-8	8" LENGTH 203MM	82032000	6	401

**MINIATURE BASIC PLIERS**



PART No.	DESCRIPTION	HSN CODE	MOQ	MRP
84-096-23	PLIERS MINI NEEDLE NOSE 5"	82032000	6	291
STHT84119-8	MINIATURE BASIC LONG NOSE PLIERS 5 IN	82032000	6	244
STHT84122-8	MINIATURE BASIC FLAT NOSE PLIERS 4 IN	82032000	6	263
STHT84124-8	MINIATURE BASIC DIAGONAL CUTTING PLIERS 4 IN	82032000	6	263
STHT84125-8	MINIATURE BASIC END NIPPER PLIERS 4 IN LENGTH	82032000	6	256
STHT84126-8	MINIATURE BASIC BENT NOSE PLIERS 5 IN LENGTH	82032000	6	263

**PLASTIC NIPPER, PLIER**



PART No.	SIZE	HSN CODE	MOQ	MRP
84-134-1-23	127MM-5	82032000	6	647
84-135-1-23	152MM-6	82032000	6	736

**COMBINATION SNAP RING INT-EXT POST**



PART No.	DESCRIPTION	SIZE	HSN CODE	MOQ	MRP
84-168	COMBINATION SNAP RING INT-EXT POST,	152MM-6	82032000	1	714

**CRIMPING PLIER**



PART No.	DESCRIPTION	SIZE	HSN CODE	MOQ	MRP
84-223-22	CRIMPING PLIER,	230MM-9	82032000	10	310
84-253-22	CRIMPING PLIER SET,	230MM-9	82032000	6	613



**VDE COMBINATION PLIERS**



PART No.	SIZE	HSN CODE	MOQ	MRP
0-84-001	175MM	82032000	4	1,385
0-84-002	200MM	82032000	4	2,000

**VDE DIAGONAL PLIERS**



PART No.	DESCRIPTION	SIZE	HSN CODE	MOQ	MRP
0-84-003	VDE DIAGONAL PLIERS	175MM	82032000	4	2,000

**VDE LONG NOSE PLIER**



PART No.	DESCRIPTION	SIZE	HSN CODE	MOQ	MRP
0-84-006	VDE LONG NOSE PLIER	160MM	82032000	4	1,195

**VDE BENT NOSE PLIERS**



PART No.	DESCRIPTION	SIZE	HSN CODE	MOQ	MRP
0-84-008	VDE BENT NOSE PLIERS	200M	82032000	4	1,365

**VDE WIRE STRIPPER PLIERS**



PART No.	DESCRIPTION	SIZE	HSN CODE	MOQ	MRP
0-84-010	VDE WIRE STRIPPER PLIERS	170MM	82032000	4	1,265

**VDE END CUTTERS**



PART No.	DESCRIPTION	SIZE	HSN CODE	MOQ	MRP
0-84-016	VDE END CUTTERS	165MM	82032000	4	1,355

**VDE WATER PUMP PLIERS**



PART No.	DESCRIPTION	SIZE	HSN CODE	MOQ	MRP
0-84-294	VDE WATERPUMP PLIERS	255MM	82032000	4	1,590

## VDE 3PCS SET



PART No.	DESCRIPTION	HSN CODE	MOQ	MRP
84-011	VDE 3PCS SET (84-001,003,007)	82032000	1	3,800

## WIRE STRIPPER



PART No.	DESCRIPTION	SIZE	HSN CODE	MOQ	MRP
84-475-22	WIRE STRIPPER(CUTTER)-AWG12-22,	150MM-6	82032000	10	901

## BI-MATERIAL HANDLE, CURVED LOCK PLIER



PART No.	DESCRIPTION	SIZE	HSN CODE	MOQ	MRP
84-369-1-23	BI-MAT HANDLE, CURV LOCK PLIER	254MM-10	82032000	6	888

## PIPE WRENCH



PART No.	SIZE	HSN CODE	MOQ	MRP
87-622-23	250MM-10"	82041120	6	550
87-623-23	300MM-12"	82041120	6	730
87-624-23	350MM-14"	82041120	6	1030
87-625-23	450MM-18"	82041120	2	1715
87-626-23	600MM-24"	82041120	1	2350
87-627-23	900MM-36"	82041120	1	4600

## PIPE WRENCH - STILLSON PATTERN



PART No.	SIZE	HSN CODE	MOQ	MRP
71-641	250MM-10"	82041120	6	305
71-642	300MM-12 "	82041120	6	405
71-643	350MM-14"	82041120	4	495
71-644	450MM-18 "	82041120	4	805
71-645	600MM-24 "	82041120	2	1475

## PIPE CUTTER



PART No.	DESCRIPTION	SIZE	HSN CODE	MOQ	MRP
14-442	PIPE CUTTER	42MM	82034010	1	1,112

## TUBING CUTTER H/D



PART No.	DESCRIPTION	SIZE	HSN CODE	MOQ	MRP
93-021-22	TUBING CUTTER H/D	3MM-1/8 TO 28MM-1 1/4	82034010	1	1,344

## PLIER GROOVE JOINT



PART No.	SIZE	HSN CODE	MOQ	MRP
84-110-23	10"	82032000	6	500
84-111	12"	82032000	4	685

## WATER PUMP PLIER



PART No.	SIZE	HSN CODE	MOQ	MRP
71-668	175MM-7	82032000	10	363
71-669	250MM-10"	82032000	10	400
71-670	300MM-12"	82032000	4	666



**STANLEY**  
HAND TOOLS

**CUTTING TOOLS**



**UTILITY KNIFE SELF LOCK**



PART No.	DESCRIPTION	HSN CODE	MOQ	MRP
10-189C	UTILITY KNIFE SELF LOCK	82081000	6	418

**SLIDE LOCK SNAP-OFF KNIFE**



PART No.	SIZE	HSN CODE	MOQ	MRP
STHT10322-800	9mm	82081000	30	55
STHT10323-800	18mm	82081000	20	71

**CLASSIC 99 RETRACTABLE UTILITY KNIFE**



PART No.	DESCRIPTION	HSN CODE	MOQ	MRP
STHT10099-8	CLASSIC 99 RETRACTABLE UTILITY KNIFE	82081000	6	391

**KNIFE-BLADE**



PART No.	DESCRIPTION	HSN CODE	MOQ	MRP
0-11-325	KNIFE-BLADE 25MM, LEN 110MM (10PCS/BOX)	82081000	10	525
11-301H	KNIFE BLADE 18MM, LEN 110MM,10 DISP(100PC)	82081000	1	1,634

**RETRACTABLE UTILITY KNIFE**



PART No.	DESCRIPTION	SIZE	HSN CODE	MOQ	MRP
10-175	RETRACTABLE UTILITY KNIFE	156MM	82081000	6	320

**SAFETY WRAP CUTTER**



PART No.	DESCRIPTION	HSN CODE	MOQ	MRP
STHT10244	7"/179MM SAFETY WRAP CUTTER	82081000	6	244
STHT10245	SAFETY WRAP CUTTER REPLACEMENT BLADE	82081000	6	105

**HEAVY DUTY BLADES**



PART No.	DESCRIPTION	SIZE	HSN CODE	MOQ	MRP
11-921H	HEAVY DUTY BLADES (100PC)	3/4" - 19MM	82081000	1	1,600
11-983A	KNIFE-BLADE LRGHK BLD (100PC)	19MM	82081000	4	1,449

**HACKSAW-JUNIOR**



PART No.	DESCRIPTION	HSN CODE	MOQ	MRP
0-15-218	HACKSAW-JUNIOR 150MM-6 BLADE LEN 254MM-10"	82021010	10	432
15-166	HACKSAW-STLFRM,450MM-17 3/4,BLD-305MM-12"	82021010	6	1,371

**SNAP-OFF KNIFE**



PART No.	DESCRIPTION	HSN CODE	MOQ	MRP
STHT10276-812	18MM SNAP-OFF KNIFE	82081000	20	165

**MINI HACKSAW**



PART No.	DESCRIPTION	HSN CODE	MOQ	MRP
15-265-23	RUBBER GRIP HACKSAW ADJSTFRM, BLD254MM-10"	82021010	6	915
0-20-807	MINI HACKSAW	82021010	6	185

**DYNAGRIP SNAP-OFF KNIFE**



PART No.	DESCRIPTION	HSN CODE	MOQ	MRP
STHT10418-812	18MM	82081000	6	279
STHT10425-812	25MM	82081000	6	511

**GLASS CUTTER**



PART No.	DESCRIPTION	HSN CODE	MOQ	MRP
14-125	GLASS CUTTER, OVERALL LENGTH 130MM 5 1/8"	82079090	24	221

## WIRE STRIPPER



PART No.	DESCRIPTION	SIZE	HSN CODE	MOQ	MRP
84-214-22	WIRE STRIPPER	130MM 5 1/4"	82032000	15	308

## BOLT CUTTER

14-308-23



14-318-23



PART No.	DESCRIPTION	SIZE	HSN CODE	MOQ	MRP
14-308-23	BOLT CUTTER, FORGED HANDLE	203MM-8"	82034090	6	496
14-312-23		305MM-12"	82034090	6	941
14-314-23		355MM-14"	82034090	6	1,013
14-318-23	BOLT CUTTER, TUBULAR HANDLE	457MM-18"	82034090	6	1,310
14-324-23		609MM-24"	82034090	2	1,685
14-330-23		762MM-30"	82034090	1	2,354
14-336-23		914MM-36"	82034090	1	3,441

## MAXSTEEL SNIP



PART No.	DESCRIPTION	HSN CODE	MOQ	MRP
2-14-556	Maxsteel SNIPS Straight Pattern 254MM	82033000	6	897

## AV SNIPS



PART No.	DESCRIPTION	HSN CODE	MOQ	MRP
2-14-562	AV SNIPS LEFT CUT BI-MAT 254MM	82033000	6	981
2-14-563	AV SNIPS STRAIGHT CUT BI-MAT 254MM	82033000	6	981
2-14-564	AV SNIPS RIGHT CUT BI-MAT 254MM	82034090	6	981

## CABLE CUTTER



PART No.	DESCRIPTION	HSN CODE	MOQ	MRP
84-258-23	CABLE CUTTER, LEN 250MM-10, MAX 60SQ. MM	82034090	6	837

## TINSNIPS W/O SPRING



PART No.	DESCRIPTION	HSN CODE	MOQ	MRP
14-163	TINSNIPS W/O SPRING, 200MM-8"	82033000	6	936
14-164	250MM-10	82033000	6	1,075
14-165	300MM-12	82033000	6	1,433
14-166	350MM-14	82033000	6	1,914

## WOOD WORKING PLANES



### SMOOTH PLANE



PART No.	DESCRIPTION	HSN CODE	MOQ	MRP
STHT12163-8	# 3 SMOOTH PLANE	82053000	1	1,425
STHT12164-8	# 4 SMOOTH PLANE	82053000	1	1,425
STHT12165-8	# 5 SMOOTH PLANE	82053000	1	1,725

\* Available Sept 2019

### CORRUGATED PLANE



PART No.	DESCRIPTION	HSN CODE	MOQ	MRP
STHT12173-8	# 3 CORRUGATED PLANE	82053000	1	1,525
STHT12174-8	# 4 CORRUGATED PLANE	82053000	1	1,525
STHT12175-8	# 5 CORRUGATED PLANE	82053000	1	1,850

\* Available Sept 2019





**STANLEY**  
HAND TOOLS

**OPTICAL LEVELS**



**OPTICAL LEVEL AL24**

NEW  
AL24G  
Magnification: 24X  
Focal Range: 30cm  
IP54



- 24X Magnification
- For foundation form work, leveling, grading and drainage.
- Magnetically dampened, wire hung compensator with in-transit lock for optimum transit lock for accuracy & range
- Large effective aperture with 30cm minimum focal range
- Top mounted optical peep-sight for ease of ranging.
- Right angle prism for easy bubble viewing.
- Large easy to use focusing knob.
- Fine adjustment knobs on left and right sides with friction-braked rotation for continuous easy horizontal movement
- 1:100 stadia for estimating distance
- Sealed, dust & water protected for Sealed, dust & water protected for working in all conditions (IP54)."



PART No.	DESCRIPTION	HSN CODE	MOQ	MRP
1-77-182	OPTICAL LEVEL AL24G W/O SITE PACK EC	82059030	1	15,900

**OPTICAL LEVEL AL32**

NEW  
AL32XL  
Magnification: 32X  
Focal Range: 30cm  
IP54



- 32X Magnification
- Wire hung magnetically dampened compensator for optimum transit lock for accuracy & range"
- Compensator lock protects instrument during transport or storage; the lock can be used as a handy compensator checking tool.
- Large effective aperture with 30cm minimum focal range
- Top mounted optical peep-sight for quick reference.
- Large easy to use precise focusing knob.
- Easy-to-read horizontal circle.
- Penta prism for easy bubble viewing.
- Sealed, dust-protected leveling screws.
- 1:100 stadia for distance estimation.



PART No.	DESCRIPTION	HSN CODE	MOQ	MRP
1-77-238	AL32XL AUTOMATIC LEVEL (DEGREES)	82059030	1	17,900

**TRIPODS & MEASURING STAFF**

1-77-162



STHT77625-1



1-77-163



PART No.	DESCRIPTION	HSN CODE	MOQ	MRP
1-77-162	06-805M GD-II	84679900		3,500
STHT77625-1	BT152 TRIPOD	84679900		4,100
1-77-163	AL TRIPOD 97-162 CM	84679900		4,700

**STANLEY**  
HAND TOOLS  
**MEASURING &  
LAYOUT TOOLS**



**STANLEY MEASURING TAPES**



PART No.	DESCRIPTION	SIZE	HSN CODE	MOQ	MRP
STHT36125-812	STANLEY SHORT TAPE RULES	3M/10' X 13MM	90178090	10	89
STHT36127-812		5M/16' X 19MM	90178090	10	135

**STANLEY TOUGHCASE TAPES**



PART No.	DESCRIPTION	SIZE	HSN CODE	MOQ	MRP
STHT36000-812	STANLEY TOUGH CASE	3M X 13MM	90178090	6	235
STHT36067-812		5M X 19MM	90178090	6	347

**MW40M MEASURING WHEEL**



PART No.	DESCRIPTION	SIZE	HSN CODE	MOQ	MRP
1-77-174	MW40M MEASURING WHEEL	318MM-12	90178090	1	3,450

**TORPEDO LEVELS**



PART No.	DESCRIPTION	HSN CODE	MOQ	MRP
43-6091	9" FATMAX XTREME TORPEDO LEVEL	90178090	3	1,941
STHT42465-812	STANLEY 9" DIE CAST TORPEDO LEVEL	90178090	6	560
STHT42264-812	9" PLASTIC MAGNETIC	90178090	6	299

**TORPEDO LEVELS**



PART No.	DESCRIPTION	SIZE	HSN CODE	MOQ	MRP
STHT43118-812	STANLEY CLASSIC BOX LEVEL	30CM	90178090	10	780
STHT43103-812		60CM	90178090	10	1,080
STHT43105-812		100CM	90178090	10	1,550
STHT43106-812		120CM	90178090	10	1,875

**LEVEL I-BEAM**



PART No.	SIZE	HSN CODE	MOQ	MRP
STHT42072-8	300MM-12 WITH 3 VIALS	90178090	10	320
STHT42074-8	600MM-24 WITH 3 VIALS	90178090	5	550
STHT42075-8	900MM-36 WITH 3 VIALS	90178090	5	710
STHT42076-8	1200MM-48 WITH 3 VIALS	90178090	5	1,030

**CHALK LINE SET**



PART No.	DESCRIPTION	HSN CODE	MOQ	MRP
47-443	30M OPP CHALK LINE SET	90178090	2	550

**WORK HOLDING**

**MAX STEEL G-CLAMP**



PART No.	SIZE	HSN CODE	MOQ	MRP
0-83-031	25MM/1" "G" CLAMP	82057000	10	175
0-83-032	50MM/2" "G" CLAMP	82057000	6	320
0-83-033	75MM/3" "G" CLAMP	82057000	4	430
0-83-034	100MM/4" "G" CLAMP	82057000	6	600
0-83-035	150MM/6" "G" CLAMP	82057000	4	990



### STANLEY HAND TOOLS

## STRIKING TOOLS



#### CLAW HAMMER STEEL SHAFT



PART No.	DESCRIPTION	SIZE	HSN CODE	MOQ	MRP
51-152	CLAW HAMMER STEEL SHAFT	220GMS-8 Oz	82052000	6	280
51-158		560GMS-20 Oz	82052000	6	480

#### WOOD/FIBRE GLASS NAIL HAMMER



PART No.	DESCRIPTION	SIZE	HSN CODE	MOQ	MRP
51-159	WOOD HANDLE NAIL HAMMER	450GMS-16 Oz	82052000	6	400
51-186	FIBREGLASS NAIL HAMMER	450GMS-16 Oz	82052000	6	430
51-187		560GMS-20 Oz	82052000	6	510

#### CAMP AXE STEEL SHAFT



PART No.	DESCRIPTION	SIZE	HSN CODE	MOQ	MRP
54-105	CAMP AXE STEEL SHAFT	560GMS-20 Oz	82055990	6	570

#### BALL PEIN HAMMER



PART No.	WEIGHT	HSN CODE	MOQ	MRP
54-106	110GMS-4 Oz	82052000	6	230
54-107	220GMS-8 Oz	82052000	6	280
54-111	340GMS-12 Oz	82052000	6	330
54-114	450 GMS-16Oz	82052000	6	425
54-115	680GMS-24 Oz	82052000	4	550
54-118	900GMS-32 Oz	82052000	4	650

#### SOFT FACE HAMMER W/WOOD HANDLE



PART No.	SIZE	HSN CODE	MOQ	MRP
57-054	22MM	82052000	6	940
57-055	28MM	82052000	6	1,075
57-056-23	35MM	82052000	6	1,450
57-057	45MM	82052000	6	2,480

#### HAMMER COMPO CAST STD SOFTFACE



PART No.	WEIGHT	HSN CODE	MOQ	MRP
57-531	510GM-18 Oz	82052000	4	2,807
57-532	595GM-21 Oz	82052000	4	3,000

#### RUBBER Mallet HAMMER



PART No.	WEIGHT	HSN CODE	MOQ	MRP
STHT57527-8	450GM-16 Oz	82052000	6	308
STHT57528-8	680GM-24 Oz	82052000	6	370

#### SLEDGE HAMMER HICKORY HANDLE



PART No.	WEIGHT	HSN CODE	MOQ	MRP
95IB56400E	1.36 KGS-3 Oz	82052000	4	750
95IB56401E	1.81 KGS-4 Oz	82052000	4	1,245
95IB56608E	3.62 KGS-8 Oz	82052000	4	2,100
95IB56612E	5.44 KGS-12 Oz	82052000	2	2,800

#### COLD CHISEL/CENTER PUNCH



PART No.	DESCRIPTION	SIZE	HSN CODE	MOQ	MRP
STHT16290-8	COLD CHISEL	7/8"-22MM	82053000	3	531
16-228	CENTER PUNCH	8X115MM	82053000	3	175

#### PUNCH & CHISEL KIT



PART No.	DESCRIPTION	HSN CODE	MOQ	MRP
16-226	6 PC PUNCH KIT	82073000	2	920
16-299	12 PC PUNCH & CHISEL KIT	82073000	3	1,900

#### WOOD CHISEL SET



PART No.	DESCRIPTION	HSN CODE	MOQ	MRP
16-089	WOOD CHISEL SET, 3 PCS	82053000	5	665
STHT16120-8	WOOD CHISEL 1/4 SET 6-PIECE	82053000	12	1,155

### STANLEY HAND TOOLS

## SPECIALITY TOOLS & SETS



### 3 JAW GEAR PULLER



PART No.	SIZE	HSN CODE	MOQ	MRP
70746-S	75MM	82055990	1	1,900
70747-S	100MM	82055990	1	2,800
70748-S	150MM	82055990	1	3,976
70875-S	200MM	82055990	1	4,189
70876-S	250MM	82055990	1	8,054
70877-S	300MM	82055990	1	12,000

### FEELER GAUGE



PART No.	DESCRIPTION	SIZE	HSN CODE	MOQ	MRP
70115-S	FEELER GAUGE 25 BLADES	0.04 TO 1.00MM	90173029	10	550

### OIL FILTER WRENCH STRAP TYPE



PART No.	DESCRIPTION	SIZE	HSN CODE	MOQ	MRP
997694-S	OIL FILTER WRENCH STRAP TYPE	50-108MM	82041120	1	709

### EXTRACTORS SET



PART No.	DESCRIPTION	SIZE	HSN CODE	MOQ	MRP
94-171	5PC. EXTRACTORS SET	3,6,8,11&14MM	82055990	12	460

### CROSS WRENCH



PART No.	DESCRIPTION	SIZE	HSN CODE	MOQ	MRP
STMT94030-8	CROSS WRENCH	17, 19, 21, 23MM	82041120	2	1,137

### MULTI-TOOL - 12 IN 1

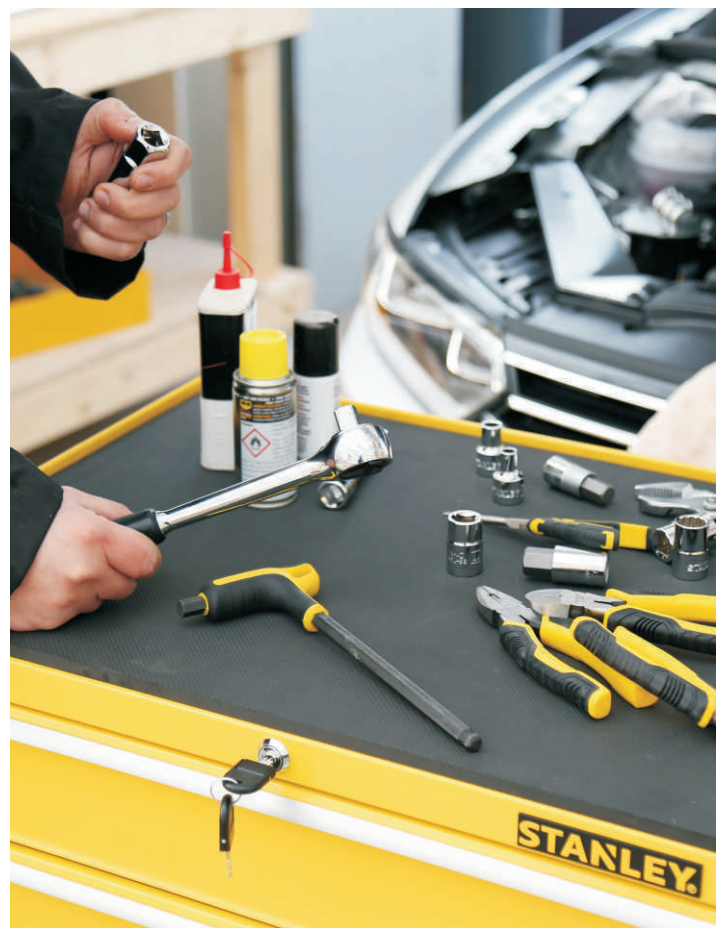


PART No.	DESCRIPTION	HSN CODE	MOQ	MRP
1-84-519	MULTITool - 12 IN 1 WITH A POUCH	82055990	12	1,100

### BOTTLE JACK



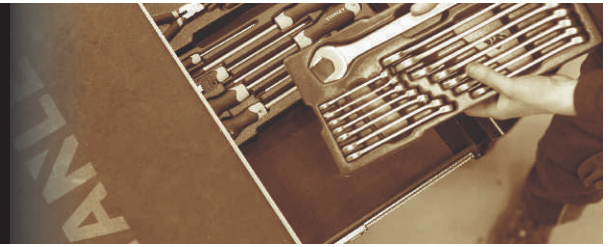
PART No.	WEIGHT	HSN CODE	MOQ	MRP
ST90801CE	8000KG-8 TON	84254200	4	3,500
ST92001CE	20000KG-20 TON	84254200	2	5,800
ST-93001CE	30000KG-30 TON	84254200	1	14,500
ST-95001CE	50000KG-50 TON	84254200	1	21,000



# STANLEY

## HAND TOOLS

### TOOLS STORAGE



#### 27" ROLLER CABINET



PART No.	DESCRIPTION	HSN CODE	MOQ	MRP
STST74306-8	27" ROLLER CABINET - 7 DRAWER	73269099	1	39,762

#### 19" METAL TOOL BOX



PART No.	DESCRIPTION	HSN CODE	MOQ	MRP
STST73100-8	19" METAL TOOL BOX - 1 DRAWER	73269099	1	3,749

#### 7 DRAWER ROLLER CABINET



PART No.	DESCRIPTION	HSN CODE	MOQ	MRP
93-547-23ID	7 DRAWER ROLLER CABINET (674X459X857MM)	73269099	1	50,507

#### 16" ESSENTIAL TB METAL LATCH



PART No.	DESCRIPTION	HSN CODE	MOQ	MRP
STST1-75518	16" ESSENTIAL TB METAL LATCH	73269099	1	914

#### 7 DRAWER ROLLER CABINET



PART No.	DESCRIPTION	HSN CODE	MOQ	MRP
STMT99069-8	4 DRAWERS ROLLER CABINET	73269099	1	35,890

#### PLASTIC TOOL BOX



PART No.	SIZE	HSN CODE	MOQ	MRP
1-92-905	410MM-16	39231090	1	2,011
1-92-906	485MM-19	39231090	1	2,598
1-92-908	560MM-22	39231090	1	3,855

#### 5 TRAY METAL TOOL BOX



PART No.	DESCRIPTION	HSN CODE	MOQ	MRP
1-94-738	5 TRAY METAL TOOL BOX	73269099	1	3,209

#### SMALL NYLON TOOL BAG - WATER PROOF



PART No.	SIZE	HSN CODE	MOQ	MRP
93-222	252MM-10	42022290	1	575

### MEDIUM NYLON TOOL BAG - WATER PROOF



PART No.	SIZE	HSN CODE	MOQ	MRP
93-223	305MM-12	42022290	1	1,774

### LARGE NYLON TOOL BAG - WATER PROOF



PART No.	SIZE	HSN CODE	MOQ	MRP
93-224	460MM-18	42022290	1	2,064

### BIG NYLON TOOL BAG - WATER PROOF



PART No.	SIZE	HSN CODE	MOQ	MRP
93-225	660MM-26	42022290	1	2,925

### 12" OPEN MOUTH BAG



PART No.	DESCRIPTION	HSN CODE	MOQ	MRP
STST512114	12" OPEN MOUTH BAG	42022290	1	980

### 16" OPEN MOUTH BAG



PART No.	DESCRIPTION	HSN CODE	MOQ	MRP
STST516126	16" OPEN MOUTH BAG	42022290	1	1,974

### BACKPACK ON WHEELS



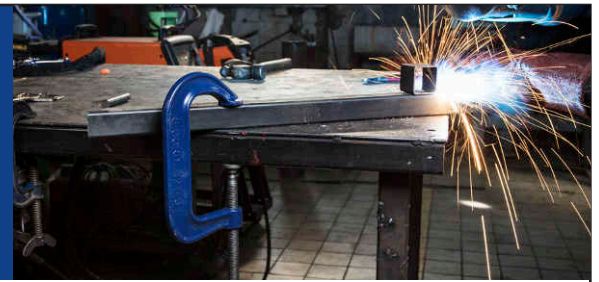
PART No.	DESCRIPTION	HSN CODE	MOQ	MRP
FMST514196	BACKPACK ON WHEELS	42022290	1	6,975

### TOOL APRON



PART No.	DESCRIPTION	HSN CODE	MOQ	MRP
STST511304	TOOL APRON	42022290	1	1,624





## C-CLAMPS

### C-CLAMPS GENERAL PURPOSE

- Larger swivel pad reduces marring on work surface and increases stability
- Larger handle for greater clamping pressure with less effort and reduced hand fatigue

Item No.	Description	HSN Code	MOQ	MRP
1901231	1 1/2" C CLAMP	82057000	5	146
1901232	2 1/2" C CLAMP	82057000	5	249
1901233	3" C CLAMP	82057000	5	276
1901234	4" C-CLAMP	82057000	5	405
1901235	6" C CLAMP	82057000	5	665
1901236	8" C CLAMP	82057000	5	850
1901238	3" DEEP REACH C CLAMP	82057000	5	446
2025101	C-CLAMP 1-1/2" X 1-1/2"	82057000	5	220
2025102	C-CLAMP 2-1/2" X 1-3/8"	82057000	5	355
2025103	C-CLAMP 2-1/2" X 2-1/2"	82057000	5	420

\* Available August 28th

**New**



**New**

1901238



**New**



## C-CLAMPS 100 SERIES

Item No.	Description	HSN Code	MOQ	MRP
225101ZR	C-CLMP 1" - 100 SERIES	82057000	5	173
225102ZR	C-CLMP 2" - 100 SERIES	82057000	5	256
225103ZR	C-CLMP 3" - 100 SERIES	82057000	5	509
225104	C-CLMP 4" - 100 SERIES	82057000	5	768
225105	C-CLMP 5" - 100 SERIES	82057000	5	520
225106	C-CLMP 6" - 100 SERIES	82057000	5	1,229
225108	C-CLMP 8" - 100 SERIES	82057000	5	1,758
225123	C-CLAMP 2" X 3-1/2" DEEP THROAT - 100 SE	82057000	5	334
225134	C-CLMP 3" X 4-1/2" DEEP THROAT - 100 SE	82057000	5	654

\* Available August 28th

## G-CLAMPS

### GENERAL PURPOSE G-CLAMP

Heat treated cast iron frames for high durability

Fine thread provides faster adjustments and prevents from wrapping

HSN Code: 82057000

Item No.	Capacity	Throat Depth (mm)	MOQ	MRP
1868211	2"/50mm	29	5	280
1868212	3"/75mm	52	5	491
1868213	4"/100mm	61	5	699
1868215	6"/150mm	76	5	1,044
1868216	8"/200mm	87	5	1,553



## RECORD G-CLAMPS

Ideal for metal and woodworking applications, the IRWIN Record 120 series is the most popular and widely used of G-Clamps.

HSN Code: 82057000

Item No.	Capacity	Throat Depth (mm)	Frame Load (kg)	MOQ	MRP
T1203	3"/75mm	55	455	4	526
T1204	4"/100mm	60	545	4	694
T1206	6"/150mm	75	635	4	997
T1208	8"/200mm	85	775	1	1,546
T12010	10"/250mm	105	1000	4	2,339
T12012	12"/300mm	115	1135	4	2,825
T1224	4" / 100mm	115	500	4	1,088

T1224



# F-Clamp

## F-CLAMPS

Ergonomically designed three-component handle allows the end-user a higher torque transfer to the workpiece. A patented floating lock minimises the risk of the lower jaw sliding down the bar. The industrial design allows the clamp to be freestanding.

**Record.**



### 1. TPE PADS

Provide friction to work surface  
Reduce marking of work piece.

### 2. 3-COMPONENT HANDLE

For higher torque transfer than wood, plus added comfort.

### 3. IMPROVED DESIGN

New improved Rib location to improve strength with less weight.

### 4. I-BEAM DESIGN

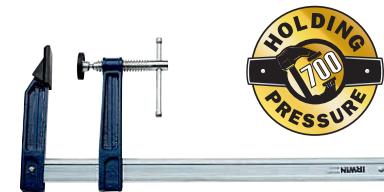
Provides higher mechanical strength and less torsion. Zinc plated for rust prevention.



## HEAVY DUTY F-CLAMPS

HSN Code: 82057000

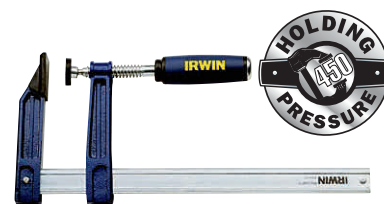
Item No.	Clamping Capacity	Clamping Depth	MOQ	MRP
10503574	16"/400mm	4-5/8" (117.5 mm)	3	1,955
10503575	24"/600mm	4-5/8" (117.5 mm)	3	2,230
10503576	32"/800mm	4-5/8" (117.5 mm)	3	2,415
10503577	40"/1000mm	4-5/8" (117.5 mm)	3	2,779
10503578	50"/1250mm	4-5/8" (117.5 mm)	3	3,124
10503579	60"/1500mm	4-5/8" (117.5 mm)	3	3,472



## MEDIUM DUTY F-CLAMPS

HSN Code: 82057000

Item No.	Clamping Capacity	Clamping Depth	MOQ	MRP
10503569	12"/300mm	3" (76 mm)	4	1,550
10503570	16"/400mm	3" (76 mm)	4	1,731
10503571	24"/600mm	3" (76 mm)	4	2,028
10503572	32"/800mm	3" (76 mm)	4	2,179
10503573	41"/1000mm	3" (76 mm)	4	2,367



## LIGHT DUTY F-CLAMPS

HSN Code: 82057000

Item No.	Clamping Capacity	Clamping Depth	MOQ	MRP
10503564	8"/200mm	2-1/2" (64mm)	4	894
10503565	12"/300mm	2-1/2" (64mm)	4	1,019
10503566	16"/400mm	2-1/2" (64mm)	4	1,057
10503567	24"/600mm	2-1/2" (64mm)	4	1,140
10503568	32"/800mm	2-1/2" (64mm)	4	1,287





## HEAVY DUTY & MEDIUM DUTY BAR CLAMPS

The IRWIN QUICK GRIP XP600 (Extreme Pressure) is the most powerful one-handed bar clamp available with 250kg. of sustained clamping pressure/holding force. It's ideal for heavy-duty applications such as installation, demolition, and rough glue-up. Dual-locking swivel jaws with removable, non-marring full-face pads provide even distribution of clamping force on the workpiece. The pads can be easily removed to activate the swivel jaws to maintain full contact and combat flexing at extreme pressure, or for conforming to irregular shapes. An adjustable foot provides added support so the clamp can sit upright on a table or work surface, making it perfect for gluing panels or cabinetry. Plus, the unique pistol grip design and Quick-Release™ trigger provide simple, one-handed operation. The IRWIN QUICK-GRIP XP600 One-Handed Bar Clamp delivers maximum power, versatility, and stability.



HSN Code: 82057000

Item No.	Sizes	Spreading Capacity (mm)	Throat Depth	MOQ	MRP
1964711	6"/150mm	235-378mm	3-5/8" (92 mm)	2	1,982
1964712	12"/300mm	235-530mm	3-5/8" (92 mm)	2	2,127
1964713	18"/450mm	235-683mm	3-5/8" (92 mm)	2	2,260
1964714	24"/600mm	235-835mm	3-5/8" (92 mm)	2	2,421
1964715	36"/900mm	235-1140mm	3-5/8" (92 mm)	2	2,705
1964716	50"/1250mm	235-1496mm	3-5/8" (92 mm)	2	3,076

The IRWIN QUICK-GRIP® Heavy-Duty One Handed Bar Clamp evenly distributes up to **272kg (600 lbs.)** of sustained clamping pressure



**136 kg**  
SUSTAINED CLAMPING FORCE

## MEDIUM DUTY BAR CLAMP

Patented locking swivel jaw suitable for clamping to uneven work surfaces  
 New Quick change button  
 Removable resin pads protect work surface  
 I-Beam Bar supports added pressure with less bend and flex  
 Suitable for medium duty applications

HSN Code: 82057000

Item No.	Sizes	Throat Depth	MOQ	MRP
1964717	6"/150mm	3-3/16" (81 mm)	5	1,208
1964718	12"/300mm	3-3/16" (81 mm)	5	1,260
1964719	18"/450mm	3-3/16" (81 mm)	5	1,335
1964720	24"/600mm	3-3/16" (81 mm)	5	1,403

# Bar Clamps



## MINI BAR CLAMPS

Strong, light and fast  
One-handed operation - a simple hand squeeze applies pressure, trigger releases pressure  
Soft, pliable pads protect work surfaces

HSN Code: 82057000

Item No.	Sizes	Throat Depth	MOQ	MRP
1964742	6"/150mm	2-1/16" (62mm)	5	515

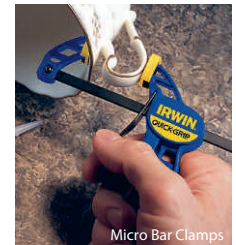


## MICRO BAR CLAMPS

Soft, durable pads protect delicate work surfaces  
Easily converts to a spreader  
Made from strong, lightweight resin material  
Perfect for hobby and craft use

HSN Code: 82057000

Item No.	Sizes	Throat Depth	MOQ	MRP
1964746	4"/100mm	2-1/16" (62mm)	10	324

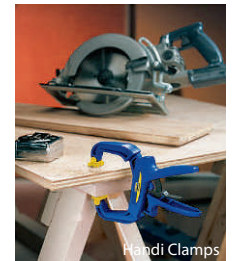


## HANDI CLAMPS

Quick Release trigger allows for fast, easy positioning and release  
Jaws designed to reach around odd shapes  
Non-marking swivel pads  
Made from strong, lightweight resin material  
Non-slip handles

HSN Code: 82057000

Item No.	Sizes	MOQ	MRP
T59100ECD	1-1/2" (38mm)	20	230
T59200ECD	2" (50mm)	12	415
T59400ECD	4" (100mm)	10	510



## ONE-HANDED BAR CLAMP ACCESSORIES New

The new IRWIN® QUICK-GRIP® One-Handed Bar Clamps are designed to be compatible with the new line of One-Handed Bar Clamp Accessories. The chart below outlines which accessories fit which of the newly designed clamps and which accessories can also be used with the previous generation of IRWIN QUICK-GRIP One-Handed Bar Clamps.

# DO MORE WITH QUICK-GRIP™

### EDGE CLAMP



HSN Code: 82057000

Item No.	Description	Application	MOQ	MRP
1988919	Edge Clamp	Converts One-Handed Bar Clamp into an edge clamp for clamping of trim & edging	5	555

### COUPLER



HSN Code: 82057000

Item No.	Description	Application	MOQ	MRP
1988920	Medium-Duty Clamp Coupler	Connects the bars of two shorter One-Handed Bar Clamps to create one longer clamp	5	445
1988931	Heavy-Duty Clamp Coupler		5	468

1988931



HSN Code: 82057000

Item No.	Description	Application	MOQ	MRP
1988932	Hold Down Jig	Converts One-Handed Bar Clamp into a table clamp	5	522

1988932



# Bar Clamps & Vice



1988932

## WIDE PADS

HSN Code: 82057000

Item No.	Description	Application	MOQ	MRP
1988933	Wide Pads	Double the width of standard pads to distribute clamping force onto a wider surface area	5	421



Wider Clamping Pressure



1988935

## CORNER CLAMP

HSN Code: 82057000

Item No.	Description	Application	MOQ	MRP
1988935	Corner Clamp Pads	Converts One-Handed Bar Clamp into a corner clamp for clamping of 90° angles	5	614



Corner Clamping



1988934

## DECK TOOL

HSN Code: 82057000

Item No.	Description	Application	MOQ	MRP
1988934	Deck Tool Kit	Converts One-Handed Bar Clamp into a deck clamp for easy, accurate spacing, aligning & holding during deck building	5	445



Deck Building



1988936

## CLAMP STAND

HSN Code: 82057000

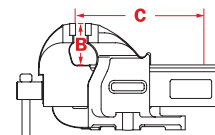
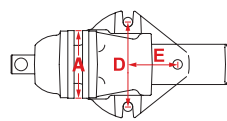
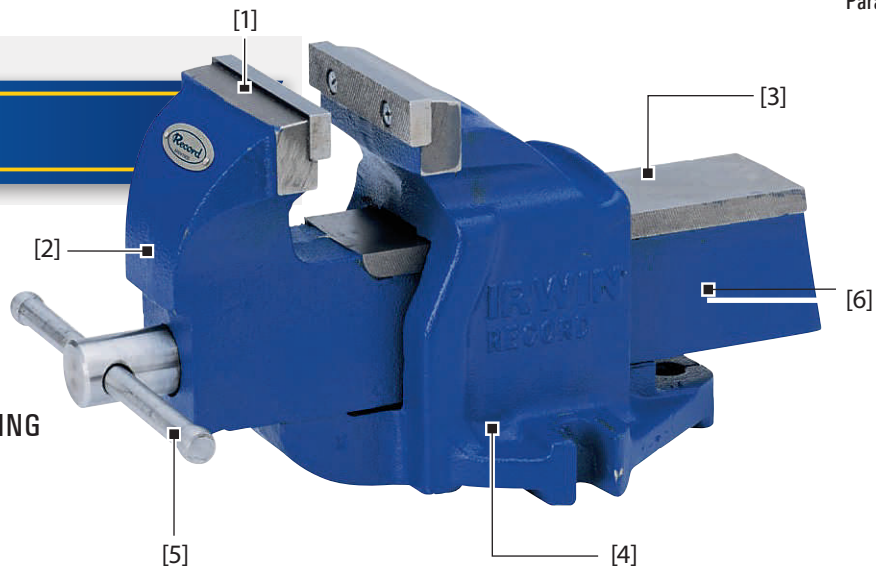
Item No.	Description	Application	MOQ	MRP
1988936	Clamp Stand	Converts One-Handed Bar Clamp for level clamping; ideal for parallel clamping applications such as frames, caseworks & drawers	5	564



Parallel Clamping

## MECHANICS VICES

- REPLACEABLE HARDENED STEEL JAWS (55HRC)**
- CAST FROM CLOSE GRAINED GREY IRON**  
Guaranteeing strength and long life.
- FULLY MACHINED ON ALL LOAD-BEARING SURFACES**  
For smooth and trouble free operation.
- INTERNAL IRON NUT**  
Can be replaced when worn.
- FUSED STEEL HANDLE**  
Will bend before the vice is overstressed.
- FAST ACTION ROLLED TWIN START ACME THREAD**  
For strength and wear resistance.



HSN Code: 82051000

Item No.	Description	Jaw Width A(mm)	Jaw Depth B(mm)	Jaw Opening C(mm)	Base Width D(mm)	Base length E(mm)	Net Weight (kg)	MOQ	MRP
3	Mechanics Vice 4"	102	70	120	129	75	15	1	6,299
5	Mechanics Vice 5"	127	83	165	140	91	24	1	11,095
6	Mechanics Vice 6"	152	89	205	165	118	32	1	13,837

# Fast Release Locking Pliers

## IRWIN VISE-GRIP 10 CURVE FAST RELEASE



### 1. UNIQUE CURVED JAW

Great for securely gripping and torquing multiple surface shapes. Perfect for any application that requires maximum torque.

### 2. SELF-ENERGISING LOWER JAW

Jaw mechanism provides 3X more gripping power\*  
Pivot allows jaw to align on workpiece for maximum grip without slipping or stripping.

### 3. BUILT STRONG TO LAST LONG

2x Longer life\* High grade alloy steel is heat treated for maximum toughness and durability.

### 4. PROTOUCH™ GRIPS

Provides comfort, control and less hand fatigue.

### 5. HEX KEY ADJUSTING SCREW

Tightens to draw material closer together for tighter grip. Loosens to provide controlled release.

**ProTouch™**  
GRIPS

**3X** MORE GRIPPING POWER\*

**2X** LONGER LIFE\*



## FAST RELEASE™ CURVED JAW LOCKING PLIERS

HSN Code: 82032000

Item No.	Size	Jaw Thickness (mm)	Jaw Capacity (mm)	MOQ	MRP
4935581	5"/125mm	6.4	29	5	876
T13T	7"/175mm	8	38	5	1,120
T11T	10"/250mm	9.5	48	5	1,354

\*5"/125mm Pliers do not include ProTouch™ soft grip



## FAST RELEASE STRAIGHT JAW LOCKING PLIERS

Straight jaws provide maximum contact on flat, square or hex work pieces

HSN Code: 82032000

Item No.	Size	Jaw Thickness (mm)	Jaw Capacity (mm)	MOQ	MRP
T03T	7"/175mm	4.1	38	5	1,212



## FAST RELEASE LONG NOSE LOCKING PLIERS WITH WIRE CUTTER

Long Straight nose provides easy access in narrow, hard-to-reach places

HSN Code: 82032000

Item No.	Size	Jaw Thickness (mm)	Jaw Capacity (mm)	Cutting Capacity (mm)	MOQ	MRP
T14T	6"/150mm	3.2	51	1.2	5	1,008
T15T	9"/225mm	3.2	70	2.3	5	1,348

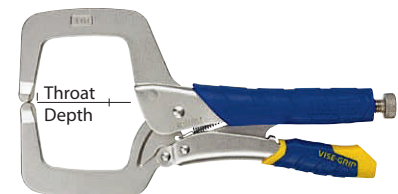


## FAST RELEASE LONG NOSE LOCKING PLIERS WITH WIRE CUTTER

Wide opening jaws provide greater versatility for clamping a variety of shapes

HSN Code: 82057000

Item No.	Size	Jaw Capacity (mm)	Throat Depth (mm)	MOQ	MRP
17T	6"/150mm	54	35	5	906
19T	11"/275mm	102	63	5	1,575



# Locking Pliers



## CURVED JAW LOCKING PLIERS

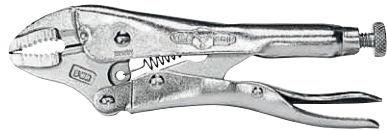
HSN Code: 82032000

Item No.	Size	Jaw Thickness (mm)	Jaw Capacity (mm)	MOQ	MRP
10508019	5"/125mm	6.4	29	5	767
10508018	7"/175mm	8	38	5	915
10508017	10"/250mm	9.5	48	5	1,067

## CURVED JAW LOCKING PLIERS WITH WIRE CUTTER

Wire cutter will handle up to 6.5mm bolt

HSN Code: 82032000

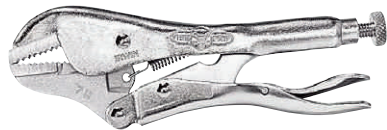


Item No.	Size	Jaw Thickness (mm)	Jaw Capacity (mm)	Cutting Capacity (mm)	MOQ	MRP
T0702EL4	7"/175mm	8	38	2.3	5	991
T0502EL4	10"/250mm	9.5	48	6.5	5	1,106

## STRAIGHT JAW LOCKING PLIERS

Straight jaws provide maximum contact on flat, square or hex work  
Can also be used as a portable vice

HSN Code: 82032000

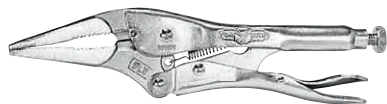


Item No.	Size	Jaw Thickness (mm)	Jaw Capacity (mm)	MOQ	MRP
T0302EL4	7"/175mm	4.1	38	5	1,011
T0102EL4	10"/250mm	15.9	48	5	1,153

## LONG NOSE LOCKING PLIERS

Long straight nose provides easy access to narrow, hard-to-reach places  
Ideal for precision work and hobbies

HSN Code: 82032000



Item No.	Size	Jaw Thickness (mm)	Jaw Capacity (mm)	Cutting Capacity (mm)	MOQ	MRP
T1602EL4	4"/100mm	3.2	41	1.2	5	687
T1402EL4	6"/150mm	3.2	51	2.8	5	894
T1502EL4	9"/225mm	4.8	70	6.5	5	1,144

## LOCKING C-CLAMPS WITH REGULAR TIPS

HSN Code: 82032000

Wide opening jaws provide greater versatility can clamp wide variety of shapes



Item No.	Size	Jaw Capacity (mm)	Throat Depth (mm)	MOQ	MRP
T17EL4	6"/150mm	54	35	5	761
T19EL4	11"/275mm	102	63	5	1,273
T18R	18"/455mm	203	241	1	2,191
T24R	24"/605mm	254	393	5	2,475

## LOCKING WRENCHES WITH WIRE CUTTER

Heavy duty jaws lock onto three sides of a hex fastener and won't slip or mark  
Designed to replace up to different wrench sizes

HSN Code: 82032000



Item No.	Size	Jaw Capacity (mm)	Cutting Capacity (mm)	MOQ	MRP
T7LW	7"/175mm	12-19	2.31	5	938
T10LW	10"/250mm	16-28	6.5	5	1,016

T27EL4

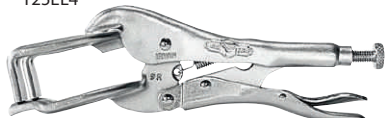


## LOCKING CHAIN CLAMP/WELDING CLAMP

Holds and locks around any shape or size  
Adjusts quickly for ratchet action in either direction  
Holds work in proper alignment - even when material is not identical in thickness  
Deep-throat U-Shaped jaws for visibility and working space

HSN Code: 82032000

T25EL4



Item No.	Size	Jaw Capacity (mm)	MOQ	MRP
T27EL4	9"/225mm	455 (Chain)	5	1,248
T25EL4	9"/225mm	44	1	1,033

# Water Pump Pliers

## GROOVELOCK WATER PUMP PLIERS WITH PROTOUCH™ GRIP

GrooveLock Pliers are designed with twice the number of groove positions of traditional groove joint pliers to deliver optimal hand and jaw positioning providing a superior grip. The specially engineered, all-purpose jaw grips round, hex, square and flat surfaces for incredible versatility.

**GrooveLock**  
Pliers

**2X** FASTER\*  
\*vs traditional Groove Joint pliers

### IRWIN® VISE-GRIP® GROOVELOCK PLIERS



#### 1. ALL-PURPOSE JAW

Grips onto flat, round, hex & square work pieces

#### 2. PRESS-N-SLIDE BUTTON

Adjusts jaws 2X faster than traditional groove joint pliers

#### 3. MULTI-GROOVE RATCHETING SYSTEM

Twice the groove positions of traditional groove joint pliers, allowing for precise positioning

#### 4. ANTI-PINCH NON-SLIP PROTOUCH™ GRIPS

Provide comfort, control and less hand fatigue

**ProTouch**  
GRIPS



V-Jaw

## GROOVELOCK WATER PUMP PLIERS

HSN Code: 82032000

Item No.	Description	Jaw Capacity (mm)	MOQ	MRP
T9097850	GrooveLock 10"/250mm V-Jaw Pliers	80	5	1,640
T9097849	GrooveLock 8"/200mm V-Jaw Pliers	65	1	1,212 *
T9097851	GrooveLock 12"/300mm V-Jaw Pliers	95	1	1,883 *



## GROOVE JOINT PLIERS

IRWIN VISE-GRIP Groove Joint pliers feature right angle teeth which grip in all directions for maximum bite. They all have moulded ProTouch™ grips for added comfort and less hand fatigue.

HSN Code: 82032000

Item No.	Jaw Type	Size	Jaw Capacity (mm)	MOQ	MRP
10505498	General Jaw	8"/200mm	38	1	789
2078510	General Jaw	10"/250mm	51	1	875
2078512	General Jaw	12"/300mm	57	1	1,037



\* Request are made to order

# Cutting Pliers

## IRWIN® VISE-GRIP CUTTING PLIERS

The new IRWIN VISE-GRIP Cutting Pliers are **made in Germany** and backed by IRWIN's Lifetime Guarantee. These new pliers are constructed of high-quality steel and specially coated for superior rust-resistance and longer tool life. The induction-hardened cutting edges are durable enough to cut ACSR, nails, screws, and even piano wire without damaging the cutting edge. Industry-leading, three-zone comfort grips are contoured for optimal cushion and control, allowing the user to make more cuts comfortably.



### IRWIN VISE-GRIP CUTTING PLIERS

1. **POWERSLOT TECHNOLOGY**  
Provides 2X more power and half the cutting effort\*
2. **INDUCTION-HARDENED CUTTING EDGES**  
Nails, screws and even piano wire
3. **THREE-ZONE COMFORT GRIPS**  
Provides optimal cushion and control
4. **SPECIFIC COATED**  
Superior rust-resistance and longer tool life
5. **PERFORMANCE LANYARD SYSTEM**  
Integrated handle hooks equipped for IRWIN Performance Lanyard system for safer elevated working conditions and easier retrieval when stored



\*PowerSlot is available in 7" and 8" diagonal cutting pliers and 8" end cutting pliers



1902411



1902412 1902413



### HIGH/MAX LEVERAGE DIAGONAL CUTTING PLIERS

HSN Code: 82032000

Item No.	Joint Design	Size	Jaw Length (mm)	Jaw Width (mm)	Jaw Thickness (mm)	Cutting Capacity	MOQ	MRP
1902411	Fixed	6"/150 mm	22	22	10	2mm Wire	5	4,792
1902412	PowerSlot	7"/175 mm	22	25	12	3mm Wire	5	5,208
1902413	PowerSlot	8"/200 mm	22	28	12.5	3mm Wire	5	4,710

### HIGH LEVERAGE LINEMAN'S PLIERS

HSN Code: 82032000

Item No.	Joint Design	Size	Jaw Length (mm)	Jaw Width (mm)	Jaw Thickness (mm)	Cutting Capacity (mm)	MOQ	MRP
1902414	Fixed	8.5"/215 mm	36	30	16	3mm Wire	5	5,083
1902415	Fixed	9.25"/235 mm	38	33	16	3mm Wire	5	5,738
1902416	Fixed	9.25"/235 mm	38	33	16	3mm Wire	5	6,580

## IRWIN VISE-GRIP ERGOMULTI LONG NOSE PLIERS

**New**

### 1. 62° ERGONOMIC ANGLED HEAD

Reduced wrist strain

### 2. INDUCTION-HARDENED CUTTING EDGES

Nails, screws and even piano wire

### 3. THREE-ZONE COMFORT GRIPS

Provides optimal cushion and control

### 4. SPECIFIC COATED

Superior rust-resistance and longer tool life

### 5. PERFORMANCE LANYARD SYSTEM

Integrated handle hooks equipped for IRWIN Performance Lanyard system for safer elevated working conditions and easier retrieval when stored



HSN Code: 82032000

Item No.	Joint Design	Size	Jaw Length (mm)	Jaw Width (mm)	Jaw Thickness (mm)	Cutting Capacity	MOQ	MRP
1902419	Fixed	8"/200 mm	50	28	11	2mm Wire	5	6,861
1902420	Fixed Bent Nose	6"/150 mm	47	15	8.7	2mm Wire	5	4,660

## LONG NOSE PLIERS

HSN Code: 82032000

Item No.	Joint Design	Size	Jaw Length (mm)	Jaw Width (mm)	Jaw Thickness (mm)	Cutting Capacity	MOQ	MRP
1902417	Fixed	6"/150 mm	50	15	8.6	2mm Wire	5	4,231
1902418	Fixed	8"/200 mm	68.7	17	10	2mm Wire	5	4,849



## END CUTTING PLIERS

HSN Code: 82032000

Item No.	Size	Jaw Length (mm)	Jaw Width (mm)	Jaw Thickness (mm)	MOQ	MRP
10505517	8"/200mm	12.7	42	28.5	5	1,360



## MAX LEVERAGE END CUTTING PLIERS

HSN Code: 82032000

Item No.	Joint Design	Size	Jaw Length (mm)	Jaw Width (mm)	Jaw Thickness (mm)	Cutting Capacity	MOQ	MRP
1902421	PowerSlot	8"/200 mm	28	37.5	28	3mm Wire	5	6,522



## INTEGRATED PERFORMANCE LANYARD SYSTEM

HSN Code: 82057000

Item No.	Description	MOQ	MRP
1902422	Integrated Performance Lanyard System with Clip	5	617



## WIRE STRIPPERS

Self-adjusting stripper strips wire from 10-24 AWG

Adjustable stopper controls the length of the core strip

Swivel knob micro-adjusts for gauges smaller than 20 AWG

Wire crimper crimps 10-22 AWG insulated, 10-22 AWG non-insulated and 7-9mm ignition terminals

Wire cutter extends versatility

ProTouch™ grips provide maximum comfort and reduced hand fatigue

HSN Code: 82033000

Item No.	Size	Jaw Capacity (mm)	Jaw Width (mm)	Jaw Thickness (mm)	Wire Cutter	MOQ	MRP
2078300	8"/200 mm	50	27.5	10-24 AWG	YES	5	1,818



**New**



# Pipe Wrenches



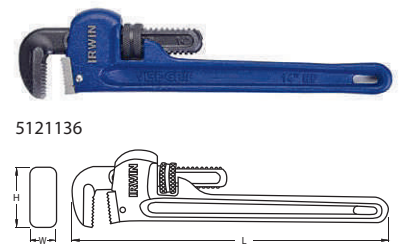
- 1. HARDENED CHROME VANADIUM DROP-FORGED JAWS**  
Tempered and hardened chrome vanadium drop-forged jaws securely hold workpieces
- 2. HOUSING AND HANDLE CORROSION RESISTANT FINISH**  
Heavy-duty SG iron housing and handle provide durability
- 4. ADJUSTMENT NUT**  
Smooth adjustment nut enables easier operation

**New**

## PIPE WRENCHES

HSN Code: 82041210

Item No.	Size	Jaw Capacity (mm)	Length (mm)	Height (mm)	Width (mm)	Weight (kg)	MOQ	MRP
5121136	8"/200 mm	25	180	47	25	0.40	5	645
5121137	10"/250 mm	38	243	63	28	0.82	5	823
5121138	12"/300 mm	50	285	70	30	1.22	5	1,177
5121139	14"/350 mm	50	330	76	35	1.81	5	1,355
5121140	18"/450 mm	63	414	90	40	2.72	5	1,839
5121141	24"/600 mm	76	555	103	45	4.43	4	3,110
5121142	36"/900 mm	127	756	128	55	9.92	1	6,666
5121143	48"/1220 mm	152	1004	168	63	15.26	1	11,031

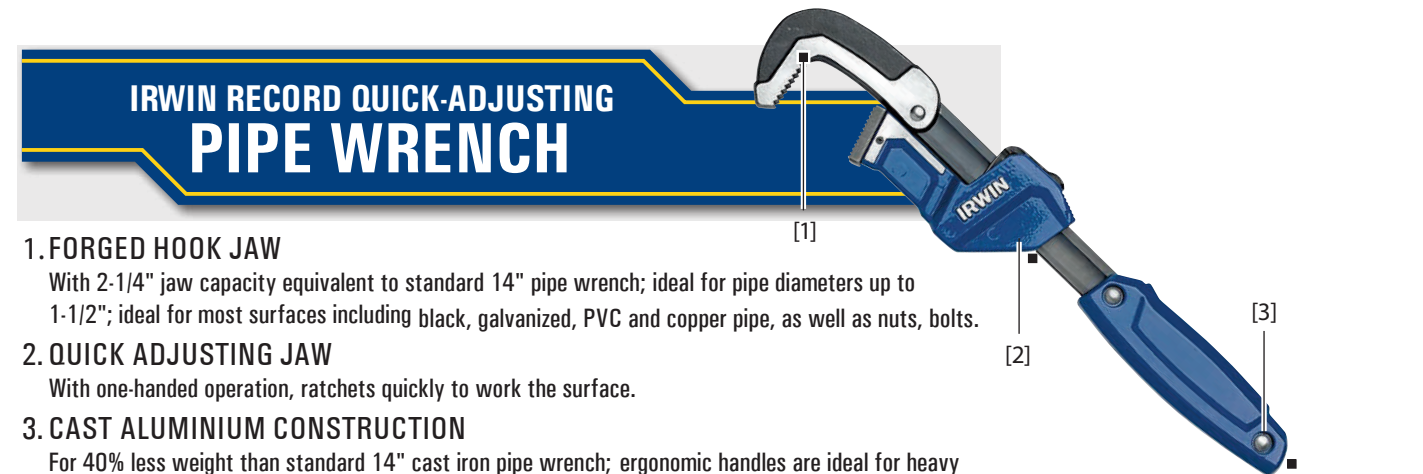


## LEADER PIPE WRENCHES

One-piece ductile iron casting assures heavy-duty use. Drop-forged jaws with to resist wear, distortion or breakage. Hardened and tempered teeth provide excellent bite.

HSN Code: 82041210

Item No.	Size	Operating Capacity (Imperial)	Jaw Capacity (Metric)	MOQ	MRP
T3508	8"/200mm	1"	34mm	4	710
T35010	10"/250mm	1-1/2"	49mm	4	950
T35014	14"/350mm	2"	60mm	4	1,731
T35018	18"/450mm	2-1/2"	76mm	4	2,413
T35024	24"/600mm	3"	90mm	2	4,309
T35036	36"/900mm	5"	140mm	1	8,446
T35048	48"/1220mm	6"	165mm	1	14,282



- 1. FORGED HOOK JAW**  
With 2-1/4" jaw capacity equivalent to standard 14" pipe wrench; ideal for pipe diameters up to 1-1/2"; ideal for most surfaces including black, galvanized, PVC and copper pipe, as well as nuts, bolts.
- 2. QUICK ADJUSTING JAW**  
With one-handed operation, ratchets quickly to work the surface.
- 3. CAST ALUMINIUM CONSTRUCTION**  
For 40% less weight than standard 14" cast iron pipe wrench; ergonomic handles are ideal for heavy torque and maximum comfort.

HSN Code: 82041210

**3X FASTER\***  
Quick-adjusting lower jaw

Item No.	Size	Operating Capacity (mm)	Pipe Capacity (mm)	MOQ	MRP
10503642	12"/300mm	3 - 58	38	1	2,945

## IRWIN® RIVETERS

IRWIN Hand Riveters are engineered to meet the needs of professional and heavy duty users. Each model offers unique features and advantages for construction and industrial applications.



### IRWIN HAND RIVETERS R100

1. DURABLE STEEL BODY
2. VINYL GRIP  
prevents slippage
3. SPRING-LOADED HANDLE  
automatically ejects rivet stem
4. FOUR INTERCHANGE NOSE PIECES  
for aluminum rivets and wrenches are stored in handle for convenience

SIZE: 2.4mm [3/32"], 3.2mm [1/8"], 4.0mm [5/32"], 4.8mm [3/16"]



### R100 HAND RIVETERS

HSN Code: 84639010

Item No.	Length mm	Width mm	Height mm	Weight kg	MOQ	MRP
1886980	330	115	33	0.56	5	565



### R250 PRO HAND RIVETERS

Aluminium alloy body with special coating ensures durability under harsh working conditions  
Four interchangeable nose pieces for aluminum/steel rivets and wrenches are stored in handle for convenience  
Size: 2.4mm (3/32"), 3.2mm (1/8"), 4.0mm (5/32"), 4.8mm (3/16")

HSN Code: 84639010

Item No.	Length mm	Width mm	Height mm	Weight kg	MOQ	MRP
1887141	375	150	35	0.63	5	1,130



### R360 HAND RIVETERS

HSN Code: 84639010

360° Swivel Head Hand Riveter  
Steel/Aluminium Rivet Sizes: 2.4mm(3/32"), 3.2mm(1/8"), 4.0mm(5/32"), 4.8mm(3/16")

Item No.	Length mm	Width mm	Height mm	Weight kg	MOQ	MRP
1887142	375	155	37	0.75	5	1,302



### R500 PANTOGRAPH HAND RIVETERS

HSN Code: 84639010

**New**

Pantograph/Scissor Action Industrial Riveter  
Steel/Aluminium Rivet Sizes: 2.4mm(3/32"), 3.2mm(1/8"), 4.0mm(5/32"), 4.8mm(3/16"), 6.4mm(1/4")

Item No.	Length mm	Width mm	Height mm	Weight kg	MOQ	MRP
1887144	310	195	45	1.76	5	2,230

# Snips & Hammer

## GILBOW® SNIPS AND SHEARS

IRWIN® Gilbow snips and shears have a cutting capability much greater than the strength of the user. The original tin snips were first designed in 1924 and have dominated the sheet metal cutting industry to such an extent that today, snips and shears are referred to as “Gilbows” – a true sign of enduring dependability and trust.



## GENERAL PURPOSE SNIPS

Unique non-slip joint set and tested for a perfect cut Drop-forged carbon tool steel handles and blades  
Double, hollow ground blades Safety stop prevents trapped fingers

HSN Code: 82033000

Item No.	Cutting Pattern	Size	Length (mm)	Cutting Capacity (mm)	MOQ	MRP
TG2458	Straight	8"	200	1.2mm Cold Rolled Steel/0.46mm Stainless Steel	6	669
TG24510	Straight	10"	250	1.2mm Cold Rolled Steel/0.46mm Stainless Steel	6	824
TG24512	Straight	12"	300	1.2mm Cold Rolled Steel/0.46mm Stainless Steel	6	964

New



Serrated lower blade for firmer action, smoother cut, and no double marked edges  
ProTouch™ moulded soft-grips superior comfort and control, resulting in less hand fatigue/stress  
Increased length of cut for faster work  
Improved balanced weight distribution for greater comfort  
Drop-resistant latch for easy one-handed use, saving time & increasing safety  
250mm long with a 3.34cm length of cut  
Cut capacity of 1.19mmsheet metal and 0.84mm stainless steel

## IRWIN® AVIATION SNIPS

IRWIN Aviation and Offset Snips have precision formed blades for a longer cutting life ergonomically designed over-moulded soft-grips for a perfect balance of comfort and performance in the hand, and a long-life torsion spring for a smooth and consistent cut.



### AVIATION SNIPS HSN Code: 82033000



10504309N



10504310N



10504311N

Item No.	Cutting Pattern	Size	Length (mm)	Length of Cut (mm)	Cutting Capacity Metal Sheet (mm)	Cutting Capacity Stainless (mm)	MOQ	MRP
10504309N	Left Straight Cut	10"	250	33.40	1.19	0.7	5	945
10504310N	Right Straight Cut	10"	250	33.40	1.19	0.7	5	945
10504311N	Straight Cut	10"	250	33.40	1.19	0.7	5	945 *



## WOOD HANDLE BALL PEIN HAMMERS

New

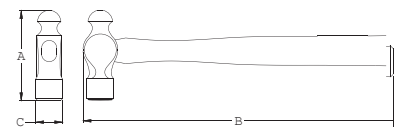


## BALL PEIN HAMMERS

HSN Code: 82033000

Item No.	Material of Handle	Head Weight oz	Head Weight g	A mm	B mm	C mm	Weight kg	MOQ	MRP
T1863514	Fiberglass	16	454	100	327	30	0.78	6	1,052

\* Request are made to order

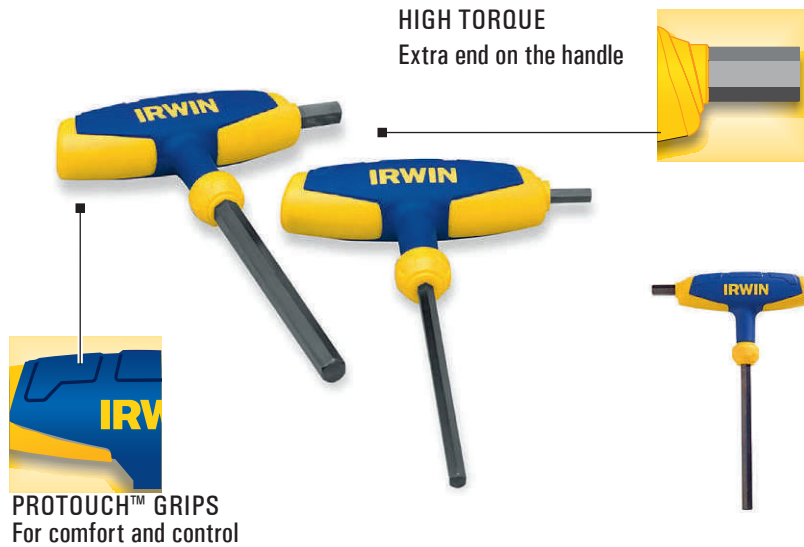


# Hex Keys & Levels

## 'T' HANDLE HEX KEYS

Manufactured from high-strength and durable chrome vanadium steel. Ergonomic design to ease gripping and handling, improving the torque performance. Routed tip finish for better gripping and holding of screws. Special surface treatment to prevent oxidation and corrosion.

Chrome Vanadium Steel CrV3  
High-resistant heat treatment  
Oxide finishing  
Slot machined  
TPR handle high-resistant



Item No.	End Type	Sizes	MOQ	MRP
T9097009	HEX	2.0, 2.5, 3.0, 4.0, 5.0, 6.0, 8.0, 10.0mm	3	1,400
T9097008	HEX	3/32", 1/8", 9/64", 5/32", 3/16", 1/4", 5/16", 3/8"	3	1,400

HSN Code: 82055190

9097008

Hex Key Set (IMPERIAL) – 8pc

9097009

Hex Key Set (MM) – 8pc

## IRWIN LEVELS

### B3 SERIES MAGNETIC BOX LEVELS

Accuracy: 0.058°(1.0mm/m)

High-strength aluminum construction and box profile for durability

Magnified center block vial for easy and accurate reading

3 vials with plumb, level and 45° readings (16"/20"/24")

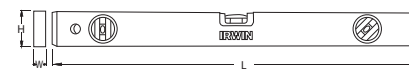
Shock absorbing end caps protect the level from damage

HSN Code: 90318000

Item No.	Size	Length (mm)	Width (mm)	Height (mm)	Weight (kg)	MOQ	MRP
1884587	12"/305 mm	305	20	50	0.18	6	554
1884601	16"/406 mm	406	20	50	0.26	6	724
1884602	20"/508 mm	508	20	50	0.29	6	785
1884603	24"/609 mm	609	20	50	0.35	6	792



1884590



### MAGNETIC TORPEDO LEVELS

Accuracy: 1884617, 1884618: 0.058°(1.0mm/m)

Die-Cast aluminum body

Plumb Site® dual-sided viewing

V-Groove edge with rare earth magnet inserts

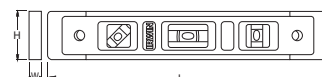
Integrated slope button 1.5° or 1/4" per foot drainage

HSN Code: 90318000

Item No.	Size	Length (mm)	Width (mm)	Height (mm)	Weight (kg)	MOQ	MRP
1884617	9"/225mm, with aluminium edge	229	16	40	0.08	6	254
1884618	9"/225mm, Plastic	229	16	39	0.06	6	196



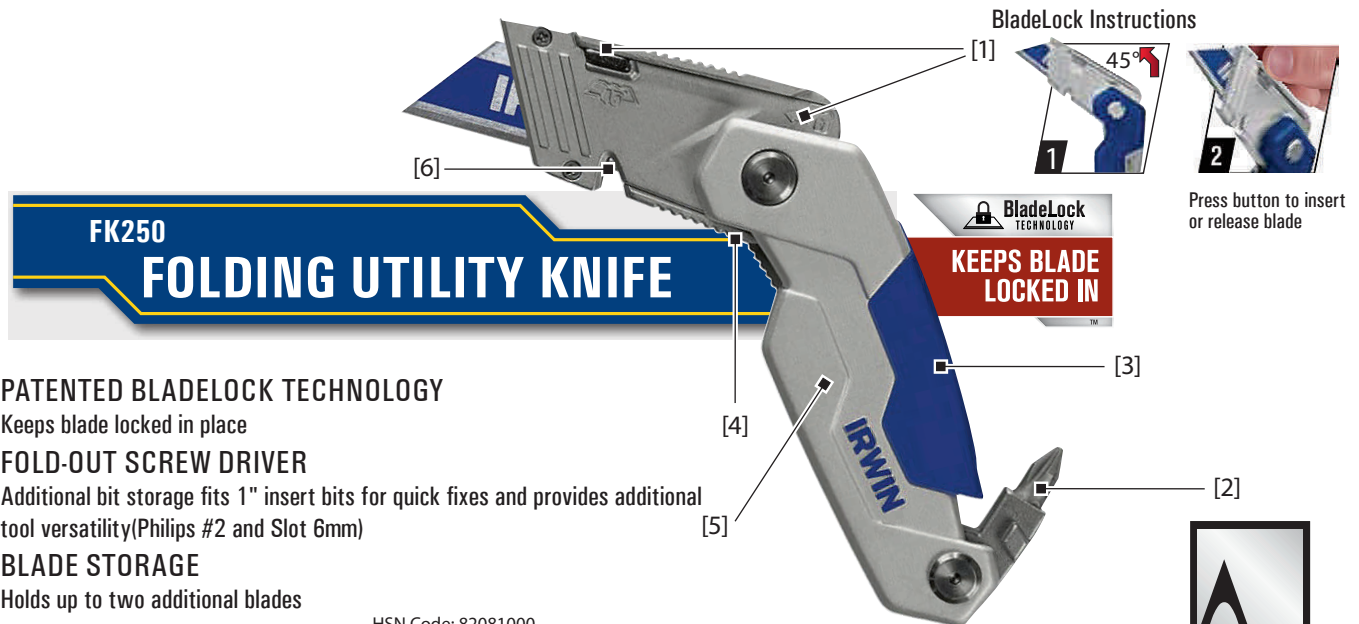
1884617



# Folding Utility Knife

## IRWIN® FK SERIES FOLDING UTILITY KNIFE

The next generation of IRWIN Folding Utility Knives with patented BladeLock Technology are engineered to keep the utility blade securely locked in the knife handle. The proprietary design addresses the most frequently cited user frustration – when blades accidentally pull out of the handle during use. BladeLock Technology further improves safety by providing the user with the ability to change blades only when the release button is engaged and the blade holder is in the 45° open position. No other folding knife offers this level of blade security and user safety.



### 1. PATENTED BLADELOCK TECHNOLOGY

Keeps blade locked in place

### 2. FOLD-OUT SCREW DRIVER

Additional bit storage fits 1" insert bits for quick fixes and provides additional tool versatility (Philips #2 and Slot 6mm)

### 3. BLADE STORAGE

Holds up to two additional blades

### 4. LINER LOCK

Quick one-handed operation

### 5. ALL METAL BODY DESIGN

Added durability

### 6. WIRE STRIPPER

HSN Code: 82081000

Description	Item No.	MOQ	MRP
FK100 Folding Utility Knife (with 1 blade)	1858318	5	1,021
FK150 Folding Utility Knife (with 3 blades)	1858319	5	1,235
FK250 Folding Utility Knife (with 3 blades)	9097739	5	1,544

Platinum winner of the prestigious 2013 A'Design Awards in the category of Prosumer Products, Tools and Machinery Design



### IRWIN FK100 FOLDING UTILITY KNIFE

- Patented BladeLock Technology keeps blade locked in place
- Liner lock for quick one-handed operation
- All metal body design for added durability
- Wire stripper for built-in convenience



### IRWIN FK150 FOLDING UTILITY KNIFE

- Patented BladeLock Technology keeps blade locked in place
- Blade storage that holds up to two additional blades
- Liner lock for quick one-handed operation
- Wire stripper for built-in convenience



# Utility Knives & Blades

## STANDARD FIXED UTILITY KNIFE



- Strong die cast aluminium body with 19° angled nose for greater comfort and to reduce strain
- Magnetised blade plate prevents blade from falling out when casing is open
- Screw is threaded into aluminium body preventing screw from falling out when casing is opened
- Internal blade storage for up to 5 blades

## SELF-RETRACTING SAFETY UTILITY KNIFE



- Blade automatically retracts when it loses contact with cut material
- Strong die cast aluminium body with 19° angled nose for more comfortable cutting and to reduce strain
- Magnetised blade holder prevents blade from falling out when casing is open
- Captive bail screw for easy tool-free blade changes
- Internal blade storage for up to 5 blades

## STANDARD RETRACTABLE UTILITY KNIFE



- Strong die cast aluminium body with 19° angled nose for greater comfort and to reduce strain
- Magnetised blade plate prevents blade from falling out when casing is open
- Screw is threaded into aluminium body preventing screw from falling out when casing is opened
- Internal blade storage for up to 5 blades

HSN Code: 82081000

Description	Type	Item No.	MOQ	MRP
Utility Knife	Retractable	10504238	5	640
	Fixed	10504239	5	539
	Self-Retracting	10505822	5	685



## BI-METAL UTILITY BLADES

- 1. SHATTERPROOF**  
The spring steel backing combined with dual hardening of the blade makes our blade more durable, and shatterproof.
- 2. LAST 3 TIMES LONGER\***  
More cuts for your money.
- 3. SPRING STEEL**  
Allows the blade to bend without accidentally breaking.
- 4. HIGH-SPEED STEEL**  
Delivers a hardened cutting edge that stay sharp 3x longer than traditional carbon blades\*.
- 5. FITS MOST KNIVES**  
The two-notch blade design fits most utility knives.



HSN Code: 82089090

Description	Blade QTY	Item No.	MOQ	MRP
Bi-Metal Utility Blades	5pc	10504240	5	209
Bi-Metal Safety Utility Blade	5pc	10505823	5	209
Carbon Utility Blades	10pc	10504246	5	1,225
Carbon Utility Blades	100pc with Dispenser	10504247	1	225
Bi-Metal Snap-off Blades	5pc 18mm	10507102	10	388
Carbon Snap-off Blades	5pc 18mm	10504561	5	128

[1]+[2]+[3]+[4]



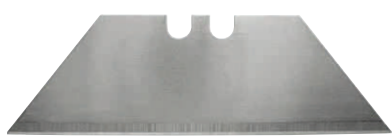
Snaps Cleanly Every Time



Hi-Flex Blade



Shatterproof spring steel body allows blade to bend and flex  
Snub nose reduces risk of accidental puncture wounds



Carbon blade for general purpose cutting  
Carbon steel cutting edge



## IRWIN® BI-METAL SNAP-OFF BLADES

Bi-Metal is formed by welding high-speed steel edge and spring steel, having the benefit of both types: Safety & Longer Life. The blades are safer since they will not break under normal working conditions.

# Wood Cutting Tools

## UTILITY HANDSAWS

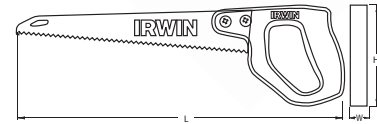
**NEW**

Thick-body blade (1mm) provides stability and control  
 Tri-Ground Teeth provide faster and efficient cuts on both the push & pull stroke  
 Rounded hardwood handle with contour provides comfort and secure grip

Tooth Count : 10TP

HSN Code: 82021020

Item No.	Size	Length (mm)	Hight (mm)	Width (mm)	Weight (kg)	MOQ	MRP
2014200	11-1/2"/292 mm	410	130	20	0.23	4	733



## PRUNING SAWS

Razor sharp hard point teeth  
 High quality blade construction

Fastened with two screws for maximum life  
 Curved blade cuts on the pull stroke only

HSN Code: 82021020

Item No.	Size	MOQ	MRP
TNA2072330000	13"/330mm	6	728



## PROTOUCH™ PLASTERBOARD SAW

Ergonomic ProTouch™ handle for safety, durability and comfort  
 Hardened and tempered 1.5mm blade

Sharpened tip for easy punching through plaster  
 8T/9P triple ground teeth for aggressive cuts on push and pull stroke

HSN Code: 82021020

Item No.	Size	Tooth Count	MOQ	MRP
10505705	6-1/2" (165 mm) Protouch	8T/9P	4	822
T106150	6" (150 mm) Standard	7PT	20	254



## M444 CHISELS

### M444 CHISELS

- BEST IN CATEGORY STEEL QUALITY**  
For superior sharpness and edge retention
- BLADE HARDENED AND TEMPERED**  
For long chisel life
- CONTOURED HANDLE**  
For added comfort
- STRONG HANDLE**  
For use with hand or mallet



HSN Code: 82053000

Item No.	Description	MOQ	MRP
TM44414	M444 Chisel - 1/4" / 6mm	6	394
TM44412	M444 Chisel - 1/2" / 13mm	6	371
TM44434	M444 Chisel - 3/4" / 19mm	6	348
TM4441	M444 Chisel - 1" / 25mm	6	319





# HAND TOOLS



## KITS

### HAND TOOL KIT 108 PC



PART No.	DESCRIPTION	HSN CODE	MOQ	MRP
BMT108C	B+D HAND TOOL KIT 108 PC	84679900	3	2,664

- 1 Pc- Stubby Adjustable Wrench Carbon Steel,
- 1 Pc- 160mm Long Nose Pliers Carbon Steel,
- 1 Pc- 160mm Combination Pliers Carbon Steel,
- 1 Pc- 9-LED Flashlight,
- 1 Pc- 18mm Snap-Off Utility Knife,
- 1 Pc- 3m Measuring Tape, MID,
- 1 Pc- 8oz Claw Hammer,
- 1 Pc- 140mm Tester, VDE,
- 1 Pc- Insulated Tape, 0.13x18mmx10m,
- 6 Pc- 1/4inch Dr. Socket, CrV, Chrome Plated, 5-6-7-8-9-10mm,
- 1 Pc- 1/4inch Dr. Bit Adapter,
- 3 Pc- Masonry Drill,
- 1 Pc- 150mm Mini Hacksaw,
- 8 Pc- Hex Key: 1.5-2-2.5-3-4-5-5-6mm,
- 10 Pc- 25mm Bits, CrV, Sand Blasted,
- 1 Pc- Stubby Ratchet Screwdriver,
- 1 Pc- Precision Bit Holder,
- 12 Pc- 4x28mm Precision Screwdriver, CrV,
- 56 Pc- Screw 3x30, 4x35 and 5x50. S Plug 5x30, 6x30, 8x35

### HAND TOOL KIT 126 PC



PART No.	DESCRIPTION	HSN CODE	MOQ	MRP
BMT126C	B+D HAND TOOL KIT 126 PC	84679900	3	3,553

- 1 pc 10inch Hand Saw with Carbon Steel Blade,
- 10 pcs Bit Set Bits size: slotted: 1/8 3/16 1/4 PH: Ph1 Ph2 Torx: T15 T20Hex: 1/8 5/32 Adapter,
- 1 pc 9LED Torch light,
- 4 pcs Precision Screwdriver Size: PH1,PH0, slotted 1.6mm, 2.0mm,
- 1 pc 5m Tape,
- 1 pc 3m Measurer Tape,
- 1 pc 8 Adjustable Wrench,
- 8 pcs Hex key :1.5-2-2.5-3-4-5-5.5-6mm,
- 1 pc 8oz Claw Hammer,
- 1 pc 6inch long Nose Pliers,
- 1 pc 6inch combination pliers,
- 1 pc Bit Handle with A3 steel,
- 2pcs Screwdriver PH2x100mm, SL6x100mm,
- 1 pc 140mm Tester,
- 1 pc 18mm Knife,
- 9 pcs 1/4 dr Socket 5,6,7,8,9,10,11,12,13mm with Carbon Steel,
- 82 pcs Hardware"

### HAND TOOL KIT 154 PC



PART No.	DESCRIPTION	HSN CODE	MOQ	MRP
BMT154C	B+D HAND TOOL KIT 154 PC	84679900	3	2,842

- 1 pc 250mm Water pump Pliers with carbon steel,
- 1 pc 225mm Torpedo Level,
- 1 box Hardware Assortment,
- 1 pc 25mm Bits with CRV,
- 1 pc Bit Driver, Two Tone Handle,
- 1 set Screwdriver (SL5x75, SL6x100mm+D7 PH1x75, PH2x100mm with 6150CRV blade),
- 1 set Hex Key (1.5-10mm),
- 1 pc 5m x 19mm Measuring Tape,
- 1 pc 1/4" Dr. Ratchet,
- 1 pc 1/4" Dr. Socket(5-13mm with carbon steel),
- 1 pc 160mm Diagonal Pliers with carbon steel,
- 1 pc 160mm Combination Pliers with carbon steel,
- 1 pc 12oz Claw Hammer with carbon steel,
- 1 pc 18mm Snap-off Utility Knife,
- 1 pc 18mm Snap-off Utility Blades,
- 1 pc 150mm Steel Ruler

### PRECISION PEN DRIVER



PART No.	DESCRIPTION	HSN CODE	MOQ	MRP
A7197-XJ	PRECISION PEN DRIVER	84679900	1	550





### ADJUSTABLE WRENCH



PART No.	SIZE	HSN CODE	MOQ	MRP
BDHT81590	150MM	82041220	6	299
BDHT81591	200MM	82041220	6	409
BDHT81592	250MM	82041220	6	578

### FASTENING TOOLS

#### PHILIPS SCREWDRIVER



PART No.	SIZE	HSN CODE	MOQ	MRP
BDHT62296	PH1 X 100MM	82054000	12	79
BDHT62297	PH2 X 150MM	82054000	12	99

#### SCREWDRIVER STANDARD



PART No.	SIZE	HSN CODE	MOQ	MRP
BDHT62298	5 X 100MM	82054000	12	79
BDHT62299	6.5 X 150MM	82054000	12	99

### MULTIBIT RATCHETING SD WITH 10 BITS



PART No.	DESCRIPTION	HSN CODE	MOQ	MRP
BDHT68127	MULTIBIT RATCHETING SD WITH 10 BITS " SLOTTED 3,5, 6PHILIPS #0,#1, #2POZIDRIVE PZ1, PZ2, PZ3 "	82054000	12	308

### 8PCS HEX KEY SET



PART No.	DESCRIPTION	HSN CODE	MOQ	MRP
BDHT81593	8PCS HEX KEY SET	82041120	6	158

### HALF-OPEN CAULKING GUN



PART No.	DESCRIPTION	SIZE	HSN CODE	MOQ	MRP
BDHT81570	HALF-OPEN CAULKING GUN	330 MM	84672900	N/A	305

### PLIERS

#### DIAGONAL CUTTING PLIERS



PART No.	SIZE	HSN CODE	MOQ	MRP
BDHT81584	160MM	82032000	6	310
BDHT81585	180MM	82032000	6	375

#### LONG NOSE PLIERS



PART No.	SIZE	HSN CODE	MOQ	MRP
BDHT81586	160MM	82032000	6	308

#### COMBINATION PLIERS



PART No.	SIZE	HSN CODE	MOQ	MRP
BDHT81587	160MM	82032000	6	361
BDHT81588	180MM	82032000	6	420

#### WATERPUMP PLIERS



PART No.	SIZE	HSN CODE	MOQ	MRP
BDHT81589	250MM	82032000	6	573

### CUTTERS

#### AUTOMOBILE MAINTENANCE KIT



PART No.	DESCRIPTION	SIZE	HSN CODE	MOQ	MRP
BDHT10394	AUTOLOCK SNAP-OFF KNIFE	18MM	82081000	36	271

#### RETRACTABLE UTILITY KNIFE



PART No.	DESCRIPTION	SIZE	HSN CODE	MOQ	MRP
BDHT10395	RETRACTABLE UTILITY KNIFE	L: 84 CM	82081000	6	513

### AUTOLOCK CARTRIDGE S/O KNIFE



PART No.	DESCRIPTION	SIZE	HSN CODE	MOQ	MRP
BDHT10396	AUTOLOCK CARTRIDGE S/O KNIFE	18MM	82081000	6	423

### SAFETY UTILITY KNIFE



PART No.	DESCRIPTION	SIZE	HSN CODE	MOQ	MRP
BDHT10397	SAFETY UTILITY KNIFE	L: 60 CM	82081000	6	302

### METAL HACKSAW



PART No.	DESCRIPTION	SIZE	HSN CODE	MOQ	MRP
BDHT20344	METAL HACKSAW	300MM	82029990	6	725

### BI-MAT HANDLE MINI HACKSAW



PART No.	DESCRIPTION	SIZE	HSN CODE	MOQ	MRP
BDHT20345	BI-MATERIAL HANDLE	250MM	82029990	12	347

### MITRE BOX WITH SAW



PART No.	DESCRIPTION	SIZE	HSN CODE	MOQ	MRP
BDHT20346	MITRE BOX WITH SAW	455MM	73182990	6	877

### UNIVERSAL SCISSORS



PART No.	DESCRIPTION	SIZE	HSN CODE	MOQ	MRP
BDHT81569	UNIVERSAL SCISSORS	-	82130000	24	234

## MEASURING TOOLS

### BOX BEAM LEVEL



PART No.	DESCRIPTION	SIZE	HSN CODE	MOQ	MRP
BDHT43188	BOX BEAM LEVEL	40CM	90178090	40	364
BDHT43189	BOX BEAM LEVEL	60CM	90178090	40	446
BDHT43190	BOX BEAM LEVEL	100CM	90178090	40	609

### FILES



PART No.	DESCRIPTION	SIZE	HSN CODE	MOQ	MRP
BDHT22144	2ND CUT FLAT FILE	200MM	82031000	12	257
BDHT22145	2ND CUT ROUND FILE	200MM	82031000	12	229
BDHT22146	2ND CUT HALF ROUND FILE	200MM	82031000	12	276
BDHT22147	2ND CUT TRIANGLE FILE	200MM	82031000	12	257

### FILE SET



PART No.	DESCRIPTION	SIZE	HSN CODE	MOQ	MRP
BDHT22148	6 PCS NEEDLE FILE SET	174MM	82031000	10	370

## STRIKING TOOL

### FIBERGLASS HANDLE DIN HAMMER



PART No.	DESCRIPTION	WT	HSN CODE	MOQ	MRP
BDHT51394	FIBERGLASS HANDLE DIN HAMMER	300 gm	82052000	6	477
BDHT51395	FIBERGLASS HANDLE DIN HAMMER	500 gm	82052000	6	590

### FIBERGLASS HANDLE DIN HAMMER



PART No.	DESCRIPTION	WT	HSN CODE	MOQ	MRP
BDHT51396	FIBERGLASS HANDLE CLAW HAMMER	450 GM-16 Oz	82052000	6	477
BDHT51397	FIBERGLASS HANDLE CLAW HAMMER	560 GM-20 Oz	82052000	4	590

### WOOD CHISEL



PART No.	DESCRIPTION	SIZE	HSN CODE	MOQ	MRP
BDHT16695	WOOD CHISEL	12MM	82053000	12	229
BDHT16696	WOOD CHISEL	18MM	82053000	12	243
BDHT16697	WOOD CHISEL	25MM	82053000	12	254

**DEWALT**

# LASER TOOLS

DISTANCE / AREA / VOLUME  
MEASUREMENTS



## DW03101-XJ 100M LASER DISTANCE METER (330 FT)



Accuracy	+/- 1.5 mm @ 10m
IP rating	65
Laser Class	2
Power Source	2 x AAA Batteries
Calculations	Distance, Area, Volume, Pythagoras
Weight (with batteries)	0.13 kg
Tool Connect Compatible	Yes
Memory	Upto 20 Measurements
Max Retail Price	₹15,450/-

**DW0165**  
**50M LASER DISTANCE MEASURER (165 FT)**

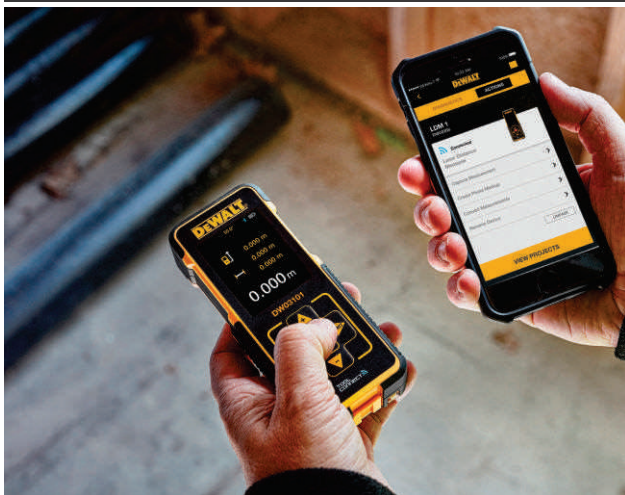


Accuracy	+/- 1.5 mm @ 10m
IP Rating	54
Working Range	0.1-50 m
Laser Class	2
Power Source	2 x AAA Batteries
Screen & Control	Colour Screen & Touch pad control
Calculations	Distance, Area, Volume
Weight (with batteries)	0.15 kg
Max. Retail Price	₹7,800/-

**DW033-XJ**  
**30M LASER DISTANCE METER**



Accuracy	+/- 3 mm @ 10m
Working Range	0.15-30m
Laser Class	2
Power Source	2 x AAA
Calculations	Distance (with continuous measurement)
Dimensions (HxLxW) mm	116 x 45 x 12
Weight (with batteries)	0.12 Kg
Max. Retail Price	₹4,180/-



**QUICKLY CAPTURE  
 MEASUREMENTS  
 WITH THE CLICK OF  
 A BUTTON**

AVT100A

EVT600A

EVT3000A

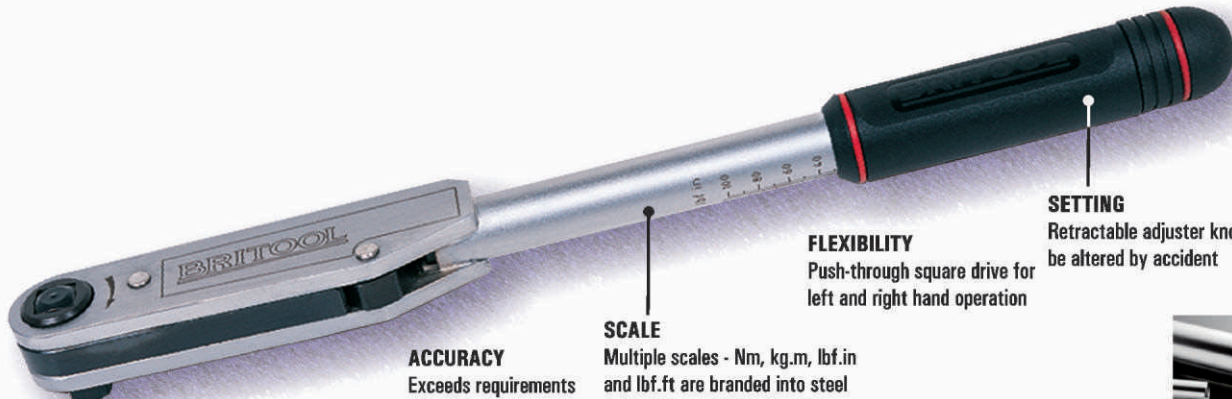
HVT5000

GVT8400



## BRITTOOL

3/8", 1/2", 3/4"  
1" Square Drive  
Torque Wrenches



**ACCESSIBILITY**  
Compact design ideal for restricted access

**DURABILITY**  
Proven to be one of the most robust products in the market, the first choice for arduous conditions

**ACCURACY**  
Exceeds requirements of ISO 6789

**SCALE**  
Multiple scales - Nm, kg.m, lbf.in and lbf.ft are branded into steel tube, giving reliability for the life of the product

**FLEXIBILITY**  
Push-through square drive for left and right hand operation

**SETTING**  
Retractable adjuster knob cannot be altered by accident

**SERVICE**  
Fully repairable with dedicated service kits





### TORQUE WRENCHES - 3/8" CLASSIC



PART No.	DESCRIPTION	TORQUE RANGE	LENGTH	MOQ	MRP
AVT100A	3/8" Sq. Dr. Torque Wrench	2.5-11nm	318mm	1	12,011
AVT300A	3/8" Sq. Dr. Torque Wrench	5-33nm	422mm	1	12,200

### TORQUE WRENCHES - 1/2" CLASSIC



PART No.	DESCRIPTION	TORQUE RANGE	LENGTH	MOQ	MRP
EVT600A	1/2" Sq. Dr. Torque Wrench	12-68nm	476mm	1	12,774
EVT1200A	1/2" Sq. Dr. Torque Wrench	25-135nm	546mm	1	13,565
EVT2000A	1/2" Sq. Dr. Torque Wrench	50-225nm	597mm	1	14,151
EVT3000A	1/2" Sq. Dr. Torque Wrench	70-330nm	825mm	1	16,080

### TORQUE WRENCHES - 3/4" & 1" CLASSIC



PART No.	DESCRIPTION	TORQUE RANGE	LENGTH	MOQ	MRP
HVT5000	3/4" Sq. Dr. Torque Wrench	140-560nm	1130mm	1	39,108
HVT7200	3/4" Sq. Dr. Torque Wrench	200-810nm	1181mm	1	39,969
GVT8400	1" Sq. Dr. Torque Wrench	480-940nm	1397mm	1	65,314

Convert 10 ft.lb to N.m, 10ft.lb x 1.35 = 13.5 N.m

## Torque Measurement Conversion Chart

TO CONVERT FROM	TO CONVERT TO								
	mN.m	cN.m	N.m	daN.m	cm.kg	m.kg	in.oz	in.lb	ft.lb
	millinewton metre	centinewton metre	newton metre	decanewton metre	centimetre kg	metre kg	inch-ounce	inch-pound	foot-pound
1mN.m	1	0.1	0.001	0.0001	0.0102	0.000102	0.1418	0.00886	0.000738
1cN.m	10	1	0.01	0.001	0.102	0.00102	1.418	0.0886	0.00738
1N.m	1000	100	1	0.1	10.2	0.102	141.8	8.863	0.738
1daN.m	10000	1000	10	1	10.2	1.02	1418	88.63	7.38
1cm.kg	98	9.8	0.098	0.0098	1	0.01	13.9	0.869	0.0724
1m.kg	9810	981	9.81	0.98	100	1	1390	86.90	7.24
1in.oz	7.05	0.705	0.00705	0.0007	0.072	0.0072	1	0.063	0.0052
1in.lb	112.8	11.28	0.1128	0.01128	1.152	1.0115	16	1	0.083
1ft.lb	1350	135	1.35	0.135	13.8	0.138	192	12	1



# QUALITY INNOVATION & EXCELLENCE



FACOM TOOLS, a brand that conveys 'Quality', 'Innovation' and 'Excellence' comes with a history of hundred years in many fields, from aeronautics to hand tools, from electrical engineering to dynamometry.

**FACOM is the undisputed reference in terms of tooling in sectors:**

- Automotive Repair
- Aeronautics
- Electricity, Electronics
- Industrial Maintenance

#### **WEB CATALOGUES**

<https://www.fac18.eu/uk-en/> • <https://catalogue.facom.com/en-fr>

[www.facom.com](http://www.facom.com)

#### **CONTACT FACOM EXPERTS FOR**

Technical information, product & spares search, technical document requests.  
T: (33) 01 6454 4514



# AN EXPERT IN AUTOMOTIVE TOOLS



EXPERT by Facom provides an affordable solution to all industrial and automotive professionals.

#### **ACCURATE AND SAFE**

EXPERT tools are designed, developed and produced by FACOM's R&D teams to meet the professionals requirements and industrial and automotive standards.

#### **STRONG AND HIGH QUALITY**

EXPERT by FACOM, an extensive range of tools designed to withstand professional use.

[www.expert-by-facom.com](http://www.expert-by-facom.com)

#### **INTERNATIONAL STANDARDS**

All EXPERT by FACOM Tools comply with Currently enforced ISO and DIN standards.





# BUILT FOR THE TOUGH



## **BUILT FOR INDUSTRY**

No Tool built at Proto without thinking of the user in the field. Work is hard and tough, not everyone can do it and not every tool can last. You need Tools as committed to the job as you are.

## **BUILT FOR QUALITY**

Darkest depths of mines or the corrosive salt air off-shore, PROTO Tools do it with toughness and in ways making the job faster, efficient and doable.

## **BUILT BEYOND STRENGTH**

Getting a job right day-in and day-out demands strength. Proto tools are tested heat forged and nickel-plated, and the sheer tool strength ensures it does not snap, bend or bust when in duty.

## **BUILT FOR SAFETY**

PROTO Tools are crafted to exacting standards, including many safety features. Make the right choice. Every time. Safety first. No Excuses.

<http://www.protoindustrial.com>

Our new Proto Catalog App, Digital Catalogue is now available on  
Google Play      App Store



**STANLEY™**

**DEWALT®**

**BLACK+DECKER™**

**FACOM®**

**PROTO®**

**IRWIN®**

**EXPERT**

**BRITool**  
EXPERT

[www.stanleytoolsindia.com](http://www.stanleytoolsindia.com)

**STANLEY BLACK & DECKER PVT LTD**

#28, Akemps, 3<sup>rd</sup> Main, 1<sup>st</sup> Cross, Ashwini Layout, Intermediate Ring Road , Koramangala,  
Bangalore 560 047 INDIA

T: +91 80 6791 9900 • F: +91 80 6660 8828  
E: [sbd-customercommunications@sbdinc.com](mailto:sbd-customercommunications@sbdinc.com)

Service Helpline No: 1860 425 1111  
📞 Whatsapp: 96060 55835