

# UNIQUE

XTRA TUFF VICES



UNIQUE  
SINCE 1971



Price List No. 71

W.E.F. 1st July, 2022



AN ISO 9001 : 2015 CERTIFIED COMPANY

UNIQUE PROCESS MAKES THE **UNIQUE** VICES PRECISION AND STURDY

HSN CODE: 84669390



● U 3510

Code No. U3510

## UNIQUE HYDRAULIC PRESSURE VISE DUCTILE IRON (UNBREAKABLE BODY)

### SPECIFICATIONS

SIZE IN INCHES		Opening	
		300MM	200MM
	4	6	6
A	Width of jaws in mm	150	150
B	Opening of jaws in mm	300	200
C	Depth of jaws in mm	58	58
D	Length overall in mm	620	510
E	Height overall U 3510	145	145
F	Width Overall U 3510	230	230
G	Tenon slot Size in mm	20	20
	Height overall U 3510 S	185	185
	Width Overall U 3510 S	300	300
	Weight (Approx) in kgs U 3510	53	48
	Weight (Approx) in kgs U 3510 S	65	60
	<b>Price Each U 3510</b>	<b>33990/-</b>	<b>40403/- 37840/-</b>
	<b>Price Each U 3510 S</b>	<b>38478/-</b>	<b>44891/- 42328/-</b>

HSN CODE: 84669390



● U 5510

Code No. U5510

## UNIQUE PRECISION TILT LOCK HYDRAULIC VICE DUCTILE IRON (UNBREAKABLE BODY)

### SPECIFICATIONS

SIZE IN INCHES		Opening	
		200MM	300MM
	6	6	
A	Width of jaws in mm	160	160
B	Opening of jaws in mm	200	300
C	Depth of jaws in mm	58	58
D	Length overall in mm	520	710
E	Height overall U 5510	165	165
F	Width Overall U 5510	160	160
G	Tenon slot Size in mm	20	20
	Weight (Approx) in kgs U 5510	50	60
	<b>Price Each U 5510</b>	<b>58465/-</b>	<b>67584/-</b>



● U 3131

NEW  
ARRIVAL

Code No. U3131

## UNIQUE PRECISION SELF CENTERING 5 AXIS VISE

Compatible for :

4th & 5th Axis CNC Machining Centres

### SPECIFICATIONS

SIZE IN INCHES	4	6	
A	Width of jaws in mm	100	150
B	Opening of jaws in mm	150	175
	<b>Price Each</b>	<b>51680/-</b>	<b>58970/-</b>

Alloy Steel Body

Case Hardened HRC 60 ± 2

Accuracy in squareness 0.001/100 mm

HSN CODE: 84669390



● U 3333



Code No. U3333

**UNIQUE MODULAR PRECISION MACHINE VISE SPECIFICATIONS** **HARDENESS : 60 ±2 HRC**

	SIZE IN INCHES	4	6	8
A	Width of jaws in mm	100	150	200
B	Opening of jaws in mm	130	225	300
C	Depth of jaws in mm	30	50	60
D	Length overall in mm	325	420	555
E	Height overall in mm	71	98	118
F	Width Overall	102	150	203
	Tenon slot Size in mm	16	16	16
	Weight (Approx) in kgs	9	28	48
	<b>Price Each</b>	<b>34730/-</b>	<b>46300/-</b>	<b>60600/-</b>



● U 3333 PJ

**NEW ARRIVAL**

Code No. U3333 PJ

**UNIQUE MODULAR PRECISION MACHINE VISE (WITH PARALLEL TOP JAWS) SPECIFICATIONS** **HARDENESS : 60 ±2 HRC**

	SIZE IN INCHES	4	6	8
A	Width of jaws in mm	100	150	200
B	Opening of jaws in mm	160	250	305
C	Depth of jaws in mm	30	50	60
D	Length overall in mm	325	420	555
E	Height overall in mm	71	98	118
F	Width Overall	102	150	203
	Tenon slot Size in mm	16	16	16
	Weight (Approx) in kgs	9	28	48
	<b>Price Each</b>	<b>32500/-</b>	<b>40700/-</b>	<b>54600/-</b>

HSN CODE: 84669390



● U 3434



Code No. U3434

**UNIQUE TWO PIECE MODULAR PRECISION MACHINE VISE**

Ideal for Machining Centre to hold the Long Work Pieces.

**HARDENESS : 60 ±2 HRC**

	SIZE IN INCHES	6
	Width of jaws in mm	150
	Opening of jaws in mm	Assorted
	<b>Price Each</b>	<b>52070/-</b>

HSN CODE: 84669390



● U 3535

Code No. U3535

**UNIQUE PRECISION QUICK SETTING MACHINE VICE SPECIFICATIONS**

**HARDNESS : 60 ±2 HRC**

	Jaw Width	150 mm
A	Width of jaws in mm	150
B	Opening of jaws in mm	255
C	Depth of jaws in mm	48
D	Length overall in mm	485
E	Height overall U 3535	105
F	Width Overall U 3535	150
G	Tenon slot Size in mm	20
	Weight (Approx) in kgs U 3535	27
	<b>Price Each U 3535</b>	<b>45630/-</b>

HSN CODE: 84669390



● U 355

Code No. U355

**UNIQUE PRECISION DUAL STATION VICE DUCTILE IRON (UNBREAKABLE BODY) SPECIFICATIONS**

	Size in Inches	6
A	Width of jaws in mm	152
B	Opening of jaws each side in mm	0-125
B1	Maximum Opening in mm	0-310
C	Depth of jaws in mm	45
D	Length overall in mm	520
E	Height overall U 3535	127
F	Width Overall U 3535	150
G	Tenon slot Size in mm	20
	Weight (Approx) in kgs U 355	50 Kg.
	<b>Price Each U 355</b>	<b>55099/-</b>

HSN CODE: 84669390



● U 3210 S

● U 3210

Code No. U3210

**UNIQUE HEAVY DUTY PRECISION MACHINE VICE DUCTILE IRON (UNBREAKABLE BODY) SPECIFICATIONS**

**150MM**

	SIZE IN INCHES	6
A	Width of jaws in mm	165
B	Opening of jaws in mm	150
C	Depth of jaws in mm	56
D	Length overall in mm	550
E	Height overall U 3210	135
F	Width Overall U 3210	230
G	Tenon slot Size in mm	20
	Width of Slot for Clamping	14
	Height overall U 3210 S	175
	Width Overall U 3210 S	270
	Weight (Approx) in kgs U 3210	43
	Weight (Approx) in kgs U 3210 S	54
	<b>Price Each U 3210</b>	<b>35101/-</b>
	<b>Price Each U 3210 S (Swivel Base)</b>	<b>41393/-</b>

HSN CODE: 84669390



Code No. U350 P

**UNIQUE PRECISION COMPACT TILT LOCK DOWN MACHINE VICE**

**DUCTILE IRON UNBREAKABLE BODY**

(KURT TYPE) (FIXED BASE)

**SPECIFICATIONS**

**Opening 200MM**

	SIZE IN INCHES	6
A	Width of jaws in mm	150
B	Opening of jaws in mm	200
	<b>Price Each U 350 P</b>	<b>25245/-</b>

# UNIQUE XTRA TUFF

DESCRIPTION	SIZE IN INCHES	PRICE EACH	STD. PKG. IN PCS.	DESCRIPTION	SIZE IN INCHES	PRICE EACH	STD. PKG. IN PCS.
-------------	----------------	------------	-------------------	-------------	----------------	------------	-------------------

CODE NO. U 350 SCV  
**UNIQUE TILT LOCK DOWN  
 SELF CENTERING VICE**  
 DUCTILE IRON (FIXED BASE)  
 UNBREAKABLE BODY  
 OPENING 200mm



HSN CODE: 84669390

6	27390/-	1
---	---------	---

CODE NO. U 310  
**UNIQUE MILLING  
 MACHINE VICE (FIXED BASE)**



HSN CODE: 84669390

4	12529/-	1
5	14985/-	1
6	16984/-	1
8	31548/-	1
10	63987/-	1
12	75471/-	1

CODE NO. U 350  
**UNIQUE TILT LOCK DOWN  
 MACHINE VICE**

DUCTILE IRON  
 UNBREAKABLE BODY



HSN CODE: 84669390

4x6" (Opening)	15037/-	1
5x5" (Opening)	17545/-	1
6x6" (Opening)	21725/-	1
6x8" (Opening)	26972/-	1
8x8" (Opening)	38110/-	1
8x10" (Opening)	38610/-	1
8x12" (Opening)	44910/-	1

CODE NO. U 310 S  
**UNIQUE MILLING  
 MACHINE VICE**



HSN CODE: 84669390

4	14465/-	1
5	17149/-	1
6	19844/-	1
8	35387/-	1
10	72886/-	1
12	91872/-	1

CODE NO. U 350 S  
**UNIQUE TILT LOCK DOWN  
 MACHINE VICE (KURT TYPE)**  
 (SWIVEL BASE)

DUCTILE IRON  
 UNBREAKABLE BODY



HSN CODE: 84669390

4x6" (Opening)	17589/-	1
5x5" (Opening)	21736/-	1
6x6" (Opening)	25982/-	1
6x8" (Opening)	33451/-	1
8x8" (Opening)	46310/-	1
8x10" (Opening)	46810/-	1
8x12" (Opening)	53110/-	1

CODE NO. U 310 (DUCTILE IRON)  
**UNIQUE MILLING  
 MACHINE VICE (FIXED BASE)**  
 DUCTILE IRON  
 UNBREAKABLE BODY



HSN CODE: 84669390

UNBREAKABLE DUCTILE IRON BODY

2	7139/-	2
3	8877/-	2
4	14806/-	1
5	17281/-	1
6	20977/-	1
8	36553/-	1

Code No. U357  
**UNIQUE PRECISION REAR  
 JAW TILT LOCK (KURT TYPE)  
 MACHINE VICE (FIXED BASE)**  
 DUCTILE IRON  
 UNBREAKABLE BODY



HSN CODE: 84669390

6x6" (Opening)	23925/-	1
6x8" (Opening)	29172/-	1

CODE NO. U 310 S (DUCTILE IRON)  
**UNIQUE MILLING  
 MACHINE VICE (SWIVEL BASE)**  
 DUCTILE IRON  
 UNBREAKABLE BODY



HSN CODE: 84669390

UNBREAKABLE DUCTILE IRON BODY

2	8613/-	2
3	9911/-	2
4	17281/-	1
5	20999/-	1
6	24695/-	1
8	42680/-	1

CODE NO. U 331  
**UNIQUE MILLING VICE  
 (TWO PIECE ADJUSTABLE)**



HSN CODE: 84669390

6	14500/-	2
8	20344/-	1

CODE NO. U 329  
**PRECISION MACHINE VICE  
 (SWIVEL BASE)**  
 DUCTILE IRON  
 UNBREAKABLE BODY



HSN CODE: 84669390

4	10890/-	1
6	15026/-	1

# UNIQUE XTRA TUFF

DESCRIPTION	SIZE IN INCHES	PRICE EACH	STD. PKG. IN PCS.	DESCRIPTION	SIZE IN INCHES	PRICE EACH	STD. PKG. IN PCS.
-------------	----------------	------------	-------------------	-------------	----------------	------------	-------------------

CODE NO. U 348 N  
PRECISION MILLING  
MACHINE VICE J&S TYPE  
(ENGLAND) (FIXED BASE)



HSN CODE: 84669390

4	14630/-	1
6	20372/-	1
8	35233/-	1

CODE NO. U 348 NS  
PRECISION MILLING  
MACHINE VICE J&S TYPE  
(ENGLAND) (SWIVEL BASE)



HSN CODE: 84669390

4	17424/-	1
6	23760/-	1
8	39281/-	1

CODE NO. U 309  
UNIQUE SUPER MILLING  
MACHINE VICE (FIXED BASE)



HSN CODE: 84669390

4	13673/-	1
5	16093/-	1
6	17501/-	1
8	33660/-	1

CODE NO. U 309 S  
UNIQUE SUPER MILLING  
MACHINE VICE (SWIVEL BASE)



HSN CODE: 84669390

4	15268/-	1
5	18315/-	1
6	20031/-	1
8	35574/-	1

CODE NO. U 311  
UNIQUE SHAPER VICE  
(FIXED BASE)



HSN CODE: 84669390

6	12804/-	1
8	23507/-	1
10	37136/-	1
12	55308/-	1
16	86086/-	1

CODE NO. U 311 S  
UNIQUE SHAPER VICE  
(SWIVEL BASE)



HSN CODE: 84669390

6	15312/-	1
8	28490/-	1
10	45276/-	1
12	66990/-	1
16	96074/-	1

CODE NO. U 312  
UNIQUE TILTING &  
SWIVELLING VICE  
(SWIVEL BASE)



HSN CODE: 84669390

4	17600/-	1
5	21648/-	1
6	25058/-	1
8	45507/-	1

CODE NO. U 312 (DUCTILE IRON)  
UNIQUE TILTING &  
SWIVELLING VICE (SWIVEL BASE)



HSN CODE: 84669390

UNBREAKABLE DUCTILE IRON BODY

2	10219/-	2
3	12892/-	2
4	18095/-	1
5	27401/-	1
6	30613/-	1
8	52184/-	1

CODE NO. U 313  
UNIQUE UNIVERSAL MACHINE VICE  
DUCTILE IRON  
UNBREAKABLE BODY



HSN CODE: 84669390

2	19492/-	1
3	22275/-	1
4	24662/-	1
6	36003/-	1

CODE NO. U 330  
3 WAY UNIVERSAL  
TILT & SWIVEL (ANGLE VICE)



HSN CODE: 84669390

2	12012/-	1
3	18964/-	1
4	28424/-	1
6	48796/-	1

UNIQUE PROCESS MAKES THE UNIQUE VICES PRECISION AND STURDY

# UNIQUE XTRA TUFF

DESCRIPTION	SIZE IN INCHES	PRICE EACH	STD. PKG. IN PCS.	DESCRIPTION	SIZE IN INCHES	PRICE EACH	STD. PKG. IN PCS.
-------------	----------------	------------	-------------------	-------------	----------------	------------	-------------------

CODE NO. U 301  
UNIQUE MECHANIC'S  
BENCH VICE TWIN GUIDE



HSN CODE: 82057000

00x2-1/4	1720/-	6
0x2-1/2	2032/-	6
1x3	2494/-	6
2x3-1/2	3343/-	4
3x4	4660/-	4
4x4-1/2	5345/-	4
5x5	7020/-	3
6x6	8615/-	2
8x8	14390/-	1
10x10	25070/-	1
12x12	27391/-	1

CODE NO. U 301 S  
UNIQUE MECHANIC'S  
BENCH VICE TWIN GUIDE  
(SWIVEL BASE)



HSN CODE: 82057000

0x2-1/2	2465/-	6
1x3	3099/-	4
2x3-1/2	3973/-	4
3x4	5610/-	3
4x4-1/2	6355/-	3
5x5	8326/-	2
6x6	10275/-	2
8x8	17380/-	1
10x10	31380/-	1
12x12	34515/-	1

CODE NO. U 300  
UNIQUE TOOL MAKER'S  
VICE WITH BRONZE NUT (FIXED BASE)



HSN CODE: 82057000

3	3515/-	6
3-1/2	5203/-	4
4	7106/-	4
5	9492/-	2
6	11739/-	2
8	19296/-	1

CODE NO. U 300 S  
UNIQUE TOOL MAKER'S  
VICE WITH BRONZE NUT  
(SWIVEL BASE)



HSN CODE: 82057000

3-1/2	6558/-	4
4	9224/-	4
5	11707/-	2
6	14986/-	2
8	22801/-	1

CODE NO. U 1300  
UNIQUE MULTIPURPOSE VICE  
(UNBREAKABLE S.G. IRON BODY)



HSN CODE: 82057000

4	6039/-	
5	7249/-	
6	9191/-	

CODE NO. U 308  
UNIQUE SUPER  
HEAVY DUTY BENCH VICE  
(DOUBLE RIB)  
(FIXED BASE)



HSN CODE: 82057000

1x3	2935/-	6
2x3-1/2	4117/-	4
3x4	5547/-	4
4x4-1/2	6708/-	3
5x5	8944/-	2
6x6	10696/-	2
8x8	17039/-	1

CODE NO. U 308 S  
UNIQUE SUPER  
HEAVY DUTY BENCH VICE  
(DOUBLE RIB)  
(SWIVEL BASE)



HSN CODE: 82057000

1x3	4633/-	4
2x3-1/2	5192/-	4
3x4	7289/-	4
4x4-1/2	8224/-	3
5x5	10567/-	2
6x6	13040/-	2
8x8	21124/-	1

CODE NO. U 327  
UNIQUE QUICK ACTION  
VICE (DOUBLE RIB)



HSN CODE: 82057000

4	9185/-	3
4x1/2	10373/-	2
5	12430/-	2
6	14817/-	2

CODE NO. U 338 N  
UNIQUE ALL STEEL  
BENCH VICE (FIXED BASE)



HSN CODE: 82057000

3	1710/-	12
4	2210/-	8
5	3400/-	5
6	4265/-	4
8	6272/-	3

CODE NO. U 338 NS  
UNIQUE ALL STEEL  
BENCH VICE (SWIVEL BASE)



HSN CODE: 82057000

3	1975/-	8
4	2600/-	6
5	4090/-	4
6	5350/-	3
8	7770/-	2

Code No. U 370  
UNIQUE  
LEG VICE



HSN CODE: 82057000

4	8225/-	
6	12090/-	

# UNIQUE XTRA TUFF

DESCRIPTION	SIZE IN INCHES	PRICE EACH	STD. PKG. IN PCS.	DESCRIPTION	SIZE IN INCHES	PRICE EACH	STD. PKG. IN PCS.
-------------	----------------	------------	-------------------	-------------	----------------	------------	-------------------

CODE NO. U 301 R STEEL  
UNIQUE ENGINEER'S  
BENCH VICE (FIXED BASE)  
DUCTILE IRON (UNBREAKABLE BODY)



HSN CODE: 82057000		
3	2110/-	4
3-1/2	3010/-	2
4	3430/-	2
4½	4180/-	2
5	5030/-	2
6	6620/-	1
8	10560/-	1
10	15370/-	1
12	18500/-	1
16	25380/-	1

CODE NO. U 301 RS STEEL  
UNIQUE ENGINEER'S  
BENCH VICE (SWIVEL BASE)  
DUCTILE IRON (UNBREAKABLE BODY)



HSN CODE: 82057000		
3	2700/-	4
3-1/2	3750/-	2
4	4280/-	2
4½	5230/-	2
5	7590/-	2
6	8060/-	1
8	12140/-	1

U 1301  
UNIQUE MACHINIST'S  
BENCH VICE  
As Per IS 2586-1986



HSN CODE: 82057000		
Bronze Nut		
4	8175/-	3
5	10580/-	2
6	13350/-	2

CODE NO. U 316  
UNIQUE PRECISION  
TOOL ROOM'S  
BENCH VICE (EXTRA HEAVY DUTY)



HSN CODE: 82057000		
Forged Nut		
4	6890/-	3
5	8935/-	2
6	11450/-	2

CODE NO. U 316 SG  
UNIQUE PRECISION  
TOOL ROOM'S  
BENCH VICE  
DUCTILE IRON  
UNBREAKABLE BODY



HSN CODE: 82057000		
4	9890/-	3
5	11914/-	2
6	17526/-	1

HSN CODE: 82057000

4	6831/-	3
5	10557/-	2
6	15525/-	1

Code No. U 365  
UNIQUE CAST IRON ANVIL



HSN CODE: 82057000

Size in Kg.	Price
10	2275/-
15	3415/-
25	5690/-
30	6825/-
35	7965/-
50	11375/-
75	17065/-
100	22750/-
150	34125/-

Code No. U 365 Steel CAST IRON ANVIL WITH STEEL PLATE	
25	6828/-
50	13650/-
75	20478/-
100	27300/-
150	40950/-

HSN CODE: 82057000

CODE NO. U 303  
UNIQUE PIPE VICE  
(OPEN TYPE)



1/8-11/4	1999/-	4
1/4-2	2990/-	4
1/4-3	4820/-	4
1/4-4	5880/-	3
2-6	12775/-	1
2-8	25265/-	1
2-10	60800/-	1

HSN CODE: 82057000

CODE NO. U 303 N  
UNIQUE PIPE VICE  
OPEN TYPE  
DUCTILE IRON  
(UNBREAKABLE BODY)



2	3290/-	4
3	4750/-	4
4	5890/-	3

CODE NO. U 304  
UNIQUE SELF LOCKING VICE



HSN CODE: 82057000

11/2	1600/-	12
2	2080/-	10
2 1/2	3050/-	8
3 1/2	4595/-	6
4 1/2	6635/-	4
6	12550/-	2

CODE NO. U 304 PT  
UNIQUE PIPE VICE  
PILLAR TYPE  
(CHANGEABLE JAWS)



HSN CODE: 82057000

11/2	1330/-	12
2	1525/-	12
3	2585/-	8
4	3440/-	8
6	7130/-	2

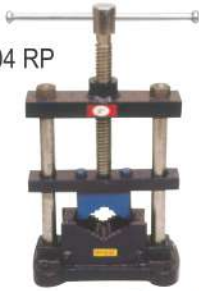


# UNIQUE XTRA TUFF

DESCRIPTION	SIZE IN INCHES	PRICE EACH	STD. PKG. IN PCS.	DESCRIPTION	SIZE IN INCHES	PRICE EACH	STD. PKG. IN PCS.
-------------	----------------	------------	-------------------	-------------	----------------	------------	-------------------

CODE NO. U 304 RP

**UNIQUE PIPE VICE ROUND PILLAR**



HSN CODE: 82057000

1 1/2	2101/-	10
2	2387/-	8
3	4268/-	4
4	7601/-	2

Code No. U 373

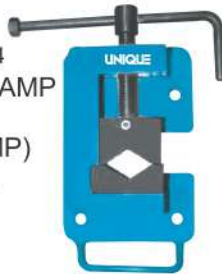
**UNIQUE FABRICATED STEEL PIPE VICE (OPEN TYPE)**



2	4370/-	4
3	6210/-	4
4	9030/-	3

Code No. U 374

**UNIQUE CLAMP VICE FOR (HAND PUMP) M.S. STEEL BODY**



HSN CODE: 82057000

2	6500/-	4
3	7300/-	4

CODE NO. U 342  
**UNIQUE CHAIN PIPE VICE**



HSN CODE: 82057000

2	990/-	10
3	1450/-	10
4	2190/-	10
6	3680/-	6
8	5060/-	4

CODE NO. U 421

**UNIQUE PRECISION SCREW LESS VICE TOOL STEEL BODY**



HSN CODE: 82057000

2	7700/-	2
3	9900/-	2
4	18040/-	2
6	48400/-	2

CODE NO. U 422

**UNIQUE PRECISION GRINDING VICE TOOL STEEL BODY**



HSN CODE: 82057000

2-3/8	10350/-	2
3	15090/-	2
4	20575/-	2
6	59900/-	2

Code No. U 424

**UNIQUE PRECISION SINE VICE-PIN TYPE TOOL STEEL BODY**



HSN CODE: 82057000

3	31625/-	2
4	41975/-	2

Code No. U 425

**UNIQUE PRECISION SINE VICE-LEAD SCREW TYPE TOOL STEEL BODY**



HSN CODE: 82057000

3	36650/-	2
4	44000/-	2

CODE NO. U 324

**UNIQUE PRECISION DRILL VICE**



HSN CODE: 82057000

2.1/2	3167/-	6
3	3531/-	6
4	4965/-	4
5	8507/-	3
6	12819/-	2

CODE NO. U 305

**UNIQUE DRILL VICE (COMMERCIAL)**

**DUCTILE IRON (UNBREAKABLE BODY)**



HSN CODE: 82057000

**UNBREAKABLE SG IRON BODY**

3	1925/-	12
4	2695/-	8
5	3775/-	6
6	4565/-	6

CODE NO. U 3306

**UNIQUE DRILL MACHINE VICE**

**DUCTILE IRON (UNBREAKABLE BODY)**



HSN CODE: 82057000

3	2660/-	6
4	3474/-	4
6	5780/-	2

# UNIQUE XTRA TUFF

DESCRIPTION	SIZE IN INCHES	PRICE EACH	STD. PKG. IN PCS.	DESCRIPTION	SIZE IN INCHES	PRICE EACH	STD. PKG. IN PCS.
-------------	----------------	------------	-------------------	-------------	----------------	------------	-------------------

CODE NO. U 306  
UNIQUE DRILL VICE (HEAVY DUTY)



HSN CODE: 82057000

3	2959/-	6
4	3872/-	4
5	5401/-	3
6	7271/-	2
8	11913/-	1
12	32164/-	1

CODE NO. U 306 (SG IRON)  
UNIQUE DRILL VICE (HEAVY DUTY)  
DUCTILE IRON  
(UNBREAKABLE BODY)



HSN CODE: 82057000  
UNBREAKABLE SG IRON BODY

3	3050/-	6
4	4008/-	4
5	5565/-	3
6	7544/-	2
8	12332/-	1
12	33547/-	1

CODE NO. U 317  
UNIQUE DRILL PRESS VICE



HSN CODE: 82057000

3	2950/-	6
4	4225/-	4
6	7595/-	2

CODE NO. U 307 P  
UNIQUE PRECISION  
UNIGRIP VICE



HSN CODE: 82057000

3	3345/-	6
4	4730/-	4
5	7120/-	2

Code No. U3307 P  
UNIQUE 3 WAY PRECISION  
DRILL VICE  
(WITH THREE MOUNTING OPTIONS)



HSN CODE: 82057000

3	4050/-	6
4	5690/-	4

CODE NO. U 3307  
UNIQUE ARMATURE  
BEARING PULLER VICE  
HEAVY DUTY



HSN CODE: 82057000

4	5385/-	4
---	--------	---

CODE NO. U 315  
UNIQUE SUPER DRILL  
MACHINE VICE



HSN CODE: 82057000

4	8280/-	1
6	15170/-	1
8	26669/-	1

CODE NO. U 307  
UNIQUE UNIGRIP VICE



HSN CODE: 82057000

CAST IRON FRAME

3-1/4	3350/-	6
4	4320/-	4
6	7270/-	2

CODE NO. U 328  
UNIQUE DRILL VICE  
(GERMAN TYPE)



HSN CODE: 82057000

3	3940/-	6
4	5485/-	4
5	9420/-	3

CODE NO. U347  
UNIQUE DRILL PRESS  
VICE PRECISION



HSN CODE: 82057000

3	2970/-	6
4	4060/-	4
5	6199/-	3

# UNIQUE XTRA TUFF

DESCRIPTION	SIZE IN INCHES	PRICE EACH	STD. PKG. IN PCS.	DESCRIPTION	SIZE IN INCHES	PRICE EACH	STD. PKG. IN PCS.
<b>CODE NO. U 349 N</b> <b>PRECISION TILTING AND SWIVELING VICE J&amp;S TYPE (ENGLAND)</b> 	4 6	19987/- 28567/-	1 1	<b>CODE NO. U 319</b> <b>UNIQUE VERTICLE SLIDING TABLE</b> 	7 x 10	20999/-	1
<b>CODE NO. U 343</b> <b>UNIQUE SELF CENTERING SHAFT VICE (FITTED WITH BALL BEARINGS) DUCTILE IRON (UNBREAKABLE BODY)</b> 	80mm 150mm	29965/- 49535/-		<b>CODE NO. U 318 N</b> <b>UNIQUE SINGLE SLIDING TABLE</b> 	6x6 8x8	7183/- 8415/-	4 3
<b>CODE NO. U 314</b> <b>UNIQUE SELF CENTERING VICE (FIXED BASE)</b> 	2 3 4	4830/- 6153/- 7682/-	4 4 3	<b>CODE NO. U 320</b> <b>UNIQUE COMPOUND SLIDING TABLE (WITH CALIBRATED WHEELS &amp; SWIVEL BASE)</b> 	12x6 12x8	21483/- 25003/-	1 1
<b>CODE NO. U 314 S</b> <b>UNIQUE SELF CENTERING VICE (SWIVELBASE)</b> 	3 4 6	6808/- 9660/- 12961/-	2 1 1	<b>CODE NO. U 321</b> <b>UNIQUE COMPOUND SLIDING TABLE (WITH CALIBRATED WHEELS &amp; SWIVEL BASE)</b> 	12x12 12x20 16x16	27896/- 52206/- 64350/-	1 1 1
<b>CODE NO. U 1314 S</b> <b>UNIQUE PRECISION SELF CENTRING VICE</b> 	4 6	14640/- 24300/-	1 1	<b>CODE NO. U 321 C</b> <b>UNIQUE COMPOUND SLIDING TABLE (WITH CALIBRATED WHEELS &amp; SWIVEL BASE)</b> 	12x12 12x20 16x16	27896/- 52316/- 64350/-	1 1 1

UNIQUE PROCESS MAKES THE **UNIQUE** VICES PRECISION AND STURDY

# UNIQUE XTRA TUFF

DESCRIPTION	SIZE IN INCHES	PRICE EACH	STD. PKG. IN PCS.	DESCRIPTION	SIZE IN INCHES	PRICE EACH	STD. PKG. IN PCS.																														
<b>CODE NO. U 322</b> <b>UNIQUE COMPOUND SLIDING TABLE</b> (WITH CALIBRATED WHEELS & SWIVEL BASE)	4x4 6x6 8x8 10x10	10604/- 12122/- 14366/- 16500/-	2 1 1 1	<b>CODE NO. U 1332</b> <b>UNIQUE PRECISION UNIVERSAL TILTING TABLE</b>	4x5 6x8 8x10	15587/- 27060/- 35508/-	2 2 1																														
<b>CODE NO. U 322 J</b> <b>UNIQUE COMPOUND SLIDING TABLE</b> (WITH CALIBRATED WHEELS & SWIVEL BASE) WITH JAWS	8x8	15092/-	1	<b>CODE NO. U 323</b> <b>UNIQUE UNIVERSAL COMPOUND VICE</b> <b>DUCTILE IRON (UNBREAKABLE BODY)</b>	<b>HSN CODE: 84669390</b>  SPECIFICATIONS																																
<b>CODE NO. U 325 N</b> <b>UNIQUE SINGLE SLIDING TABLE</b> (WITH CALIBRATED WHEELS)	6x6 8x8	7381/- 8492/-	4 3	<b>CODE NO. U 376</b> <b>UNIQUE SELF CENTERING CORNER VICE</b>	<table border="1"> <tr><td>Size in inches</td><td>5</td></tr> <tr><td>Width of jaws in mm</td><td>125</td></tr> <tr><td>Depth of Jaws in mm</td><td>55</td></tr> <tr><td>Opening of jaws in mm</td><td>135</td></tr> <tr><td>Overall Length in mm</td><td>440</td></tr> <tr><td>Overall Height in mm</td><td>170</td></tr> <tr><td>Overall Width in mm</td><td>420</td></tr> <tr><td>Travel Bothways in mm</td><td>175x150</td></tr> <tr><td>Weight Approx in Kgs.</td><td>19</td></tr> <tr><td><b>Price Each U 323</b></td><td><b>17330/-</b></td></tr> </table>			Size in inches	5	Width of jaws in mm	125	Depth of Jaws in mm	55	Opening of jaws in mm	135	Overall Length in mm	440	Overall Height in mm	170	Overall Width in mm	420	Travel Bothways in mm	175x150	Weight Approx in Kgs.	19	<b>Price Each U 323</b>	<b>17330/-</b>										
Size in inches	5																																				
Width of jaws in mm	125																																				
Depth of Jaws in mm	55																																				
Opening of jaws in mm	135																																				
Overall Length in mm	440																																				
Overall Height in mm	170																																				
Overall Width in mm	420																																				
Travel Bothways in mm	175x150																																				
Weight Approx in Kgs.	19																																				
<b>Price Each U 323</b>	<b>17330/-</b>																																				
<b>CODE NO. U 332</b> <b>UNIQUE TILTING TABLE</b>	5x7 7x10 10x15	12617/- 17292/- 33539/-	1 1 1	<b>CODE NO. U 376</b> <b>UNIQUE SELF CENTERING CORNER VICE</b>	<b>HSN CODE: 84669390</b>  SPECIFICATIONS																																
<b>CODE NO. U 333</b> <b>UNIQUE SWIVEL ANGLE TABLE</b>	5x6 6x8 8x10 10x12 12x15	9581/- 11869/- 18689/- 27550/- 45340/-	2 2 1 1 1	<b>CODE NO. U1335</b> <b>UNIQUE INDEXING MILLING FIXTURES</b> <b>HORIZONTAL &amp; VERTICAL</b>	<table border="1"> <tr><td>Size in inches</td><td>4</td></tr> <tr><td>Width of jaws in mm</td><td>100</td></tr> <tr><td>Opening of jaws in mm</td><td>100</td></tr> <tr><td><b>Price Each U 376</b></td><td><b>5335/-</b></td></tr> </table>			Size in inches	4	Width of jaws in mm	100	Opening of jaws in mm	100	<b>Price Each U 376</b>	<b>5335/-</b>																						
Size in inches	4																																				
Width of jaws in mm	100																																				
Opening of jaws in mm	100																																				
<b>Price Each U 376</b>	<b>5335/-</b>																																				
				<b>CODE NO. U1333</b> <b>UNIQUE TILTING INDEXING DEVICE</b>	<b>HSN CODE: 84669390</b>  <table border="1"> <thead> <tr> <th>DESCRIPTION</th> <th>PRICE</th> </tr> </thead> <tbody> <tr><td>IMF 80/100/125 WITH CHUCK &amp; WITH TAIL STOCK</td><td>57376/-</td></tr> <tr><td>IMF 80/100/125 WITH CHUCK &amp; WITHOUT TAIL STOCK</td><td>43197/-</td></tr> <tr><td>IMF 160 WITH CHUCK &amp; WITH TAIL STOCK</td><td>76263/-</td></tr> <tr><td>IMF 160 WITH CHUCK &amp; WITHOUT TAIL STOCK</td><td>57365/-</td></tr> <tr><td>IMF 200 WITH CHUCK &amp; WITH TAIL STOCK</td><td>83017/-</td></tr> <tr><td>IMF 200 WITH CHUCK &amp; WITHOUT TAIL STOCK</td><td>63437/-</td></tr> </tbody> </table>			DESCRIPTION	PRICE	IMF 80/100/125 WITH CHUCK & WITH TAIL STOCK	57376/-	IMF 80/100/125 WITH CHUCK & WITHOUT TAIL STOCK	43197/-	IMF 160 WITH CHUCK & WITH TAIL STOCK	76263/-	IMF 160 WITH CHUCK & WITHOUT TAIL STOCK	57365/-	IMF 200 WITH CHUCK & WITH TAIL STOCK	83017/-	IMF 200 WITH CHUCK & WITHOUT TAIL STOCK	63437/-																
DESCRIPTION	PRICE																																				
IMF 80/100/125 WITH CHUCK & WITH TAIL STOCK	57376/-																																				
IMF 80/100/125 WITH CHUCK & WITHOUT TAIL STOCK	43197/-																																				
IMF 160 WITH CHUCK & WITH TAIL STOCK	76263/-																																				
IMF 160 WITH CHUCK & WITHOUT TAIL STOCK	57365/-																																				
IMF 200 WITH CHUCK & WITH TAIL STOCK	83017/-																																				
IMF 200 WITH CHUCK & WITHOUT TAIL STOCK	63437/-																																				
					<b>HSN CODE: 84669390</b>  <table border="1"> <thead> <tr> <th>SIZE IN INCHES</th> <th>4</th> <th>8</th> </tr> </thead> <tbody> <tr><td>Diameter Chuck (in mm)</td><td>100</td><td>200</td></tr> <tr><td>Length (in mm)</td><td>250</td><td>300</td></tr> <tr><td>Width (in mm)</td><td>220</td><td>280</td></tr> <tr><td>Height (in mm)</td><td>190</td><td>170</td></tr> <tr><td>Swivel</td><td>360°</td><td>360°</td></tr> <tr><td>Tilting</td><td>90°</td><td>90°</td></tr> <tr><td>Slots Distance (in mm)</td><td>170</td><td>275</td></tr> <tr><td>Weight (Approx) in Kgs.</td><td>16</td><td>62</td></tr> <tr><td><b>Price Each U1333</b></td><td><b>51546/-</b></td><td><b>99242/-</b></td></tr> </tbody> </table>			SIZE IN INCHES	4	8	Diameter Chuck (in mm)	100	200	Length (in mm)	250	300	Width (in mm)	220	280	Height (in mm)	190	170	Swivel	360°	360°	Tilting	90°	90°	Slots Distance (in mm)	170	275	Weight (Approx) in Kgs.	16	62	<b>Price Each U1333</b>	<b>51546/-</b>	<b>99242/-</b>
SIZE IN INCHES	4	8																																			
Diameter Chuck (in mm)	100	200																																			
Length (in mm)	250	300																																			
Width (in mm)	220	280																																			
Height (in mm)	190	170																																			
Swivel	360°	360°																																			
Tilting	90°	90°																																			
Slots Distance (in mm)	170	275																																			
Weight (Approx) in Kgs.	16	62																																			
<b>Price Each U1333</b>	<b>51546/-</b>	<b>99242/-</b>																																			

# UNIQUE XTRA TUFF

DESCRIPTION	SIZE IN INCHES	PRICE EACH	STD. PKG. IN PCS.	DESCRIPTION	SIZE IN INCHES	PRICE EACH	STD. PKG. IN PCS.
-------------	----------------	------------	-------------------	-------------	----------------	------------	-------------------

CODE NO. U 334  
**UNIQUE ROTARY MILLING TABLE HORIZONTAL**  
 (WITHOUT INDEXING DEVICE)



**HSN CODE: 84669390**

6	14058/-	1
8	17402/-	1
10	22352/-	1
12	36410/-	1
15	58069/-	1
18	99737/-	1
20	112178/-	1

CODE NO. U 353  
**UNIQUE PRECISION ROTARY MILLING TABLE HORIZONTAL & VERTICAL**



**NEW ARRIVAL**

**HSN CODE: 84669390**

6	23925/-	1
8	29920/-	1

(Fitted with Taper Roller Bearings)

CODE NO. U 336  
**UNIQUE ROTARY MILLING TABLE HORIZONTAL**  
 (WITH INDEXING DEVICE)



**HSN CODE: 84669390**

6	20878/-	1
8	24552/-	1
10	29513/-	1
12	45562/-	1
15	66429/-	1
18	110308/-	1
20	122947/-	1

CODE NO. U 354  
**UNIQUE PRECISION TILTING ROTARY MILLING TABLE**



**NEW ARRIVAL**

**HSN CODE: 84669390**

6	29370/-	1
---	---------	---

CODE NO. U 335  
**UNIQUE ROTARY MILLING TABLE HORIZONTAL & VERTICAL SYSTEM**  
 (WITHOUT INDEXING DEVICE)



**HSN CODE: 84669390**

4	9361/-	1
6	16181/-	1
8	20229/-	1
10	26015/-	1
12	42097/-	1
15	61897/-	1
18	112222/-	1
20	120186/-	1
24	137027/-	1

CODE NO. U 351  
**DIVIDING HEAD COMPLETE WITH GEAR SET**



**HSN CODE: 84669390**

4-1/2	46376/-	1
5-1/2	59422/-	1
6-1/2	68464/-	1
7-1/2	85591/-	1

CODE NO. U 352  
**UNIQUE UNIVERSAL DIVIDING HEAD**  
 (Fitted with 200 mm Tru Chuck)



**NEW ARRIVAL**

**HSN CODE: 84669390**

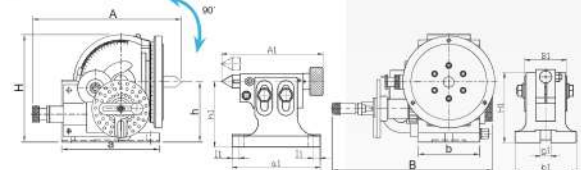
8	128920/-	1
---	----------	---

CODE NO. U 337  
**UNIQUE ROTARY MILLING TABLE HORIZONTAL & VERTICAL**  
 (WITH INDEXING DEVICE)



**HSN CODE: 84669390**

4	12738/-	1
6	23001/-	1
8	27412/-	1
10	33176/-	1
12	51249/-	1
15	71808/-	1
18	122804/-	1
20	130977/-	1
24	147818/-	1



Unit:mm

CODE NO.	A	B	H	I	a	b	g	h	Taper of center	SPINDLE THROUGH HOLE
U 352	359	340	235	20	212	135	16	134	MT-4	25

# UNIQUE XTRA TUFF

DESCRIPTION	SIZE IN INCHES	PRICE EACH	STD. PKG. IN PCS.	DESCRIPTION	SIZE IN INCHES	PRICE EACH	STD. PKG. IN PCS.
-------------	----------------	------------	-------------------	-------------	----------------	------------	-------------------

CODE NO. U 326 S  
**UNIQUE WOOD WORKER'S VICE**  
(RECORD TYPE)(NEW MODEL)



**HSN CODE: 82057000**

6	2068/-	8
7	2365/-	8
8	2783/-	8
9	3311/-	6
10	4169/-	4
12	5566/-	3

CODE NO. U 339  
**UNIQUE WOOD WORKING VICE**



**HSN CODE: 82057000**

6	3399/-	6
7	4378/-	6
8	5885/-	6
9	7601/-	6

CODE NO. U 339 QR  
**UNIQUE WOOD WORKING VICE**  
(QUICK RELEASE)



**HSN CODE: 82057000**

6	4213/-	6
7	5214/-	6
8	7150/-	6
9	9471/-	6

CODE NO. U 302  
**UNIQUE BABY VICE**



**HSN CODE: 82057000**

1	341/-	12
1-1/2	385/-	12
2	462/-	12
2-1/2	506/-	12
3	594/-	12
4	781/-	12

CODE NO. U 302 N/NS  
**UNIQUE BABY VICE**



**HSN CODE: 82057000**

	Fixed Base	Swivel Base
1-1/4	451/-	627/-
1-5/8	484/-	682/-
2	594/-	748/-
2-3/8	880/-	1188/-
3	1199/-	1474/-

CODE NO. U 307 D  
**UNIQUE BABY VICE**  
(WITH CLAMP)  
(DELUX HEAVY DUTY)



**HSN CODE: 82057000**

	FIXED BASE	SWIVEL BASE
1	495/-	649/-
1½	528/-	682/-
2	583/-	759/-
2½	792/-	1023/-
3	902/-	1155/-

CODE NO. U 340  
**UNIQUE HAND VICE**

(STEEL)



**HSN CODE: 82057000**

4	220/-	12
5	308/-	12
6	341/-	12
8	682/-	12

CODE NO. U 341  
**UNIQUE DRAW VICE**  
(STEEL)



**HSN CODE: 82057000**

6	1551/-	6
8	1749/-	6
10	2882/-	6
12	3443/-	6

CODE NO. U 405  
**UNIQUE SAFETY CHUCK KEY**  
(SUITABLE FOR ANY MAKE)




**HSN CODE: 82057000**

1/4	86/-	10
3/8	97/-	10
1/2, 5/8	129/-	10
3/4	194/-	10
1	505/-	10

# UNIQUE XTRA TUFF

DESCRIPTION	SIZE IN INCHES	PRICE EACH	STD. PKG. IN PCS.	DESCRIPTION	SIZE IN INCHES	PRICE EACH	STD. PKG. IN PCS.
-------------	----------------	------------	-------------------	-------------	----------------	------------	-------------------

HSN CODE: 82057000

DESCRIPTION	SIZE IN INCHES	PRICE EACH 3 LEGS	PRICE EACH 2LEGS	STD. PKG. IN PCS.
CODE NO. U 406 DF <b>UNIQUE BEARING PULLER DROP FORGED</b>				
	3	407/-	396/-	12
	4	528/-	506/-	12
	6	792/-	781/-	20
	8	1078/-	1056/-	20
	10	1441/-	1419/-	10
	12	1716/-	1694/-	10

Code No. U 406 S.P.  
**UNIQUE STUD PULLER  
(GERMAN TYPE)**



HSN CODE: 82057000

1/2	396/-
3/4	704/-

Code No. U 4406 D/F  
Heavy Duty

**UNIQUE BEARING PULLER 3 Leg  
(HEAVY BUSH & SPINDLE)**

	3	495/-	10
	4	627/-	10
	6	957/-	10
	8	1287/-	10
	10	1738/-	6
	12	2068/-	6

HSN CODE: 82057000

CODE NO. U 408 DF  
**UNIQUE G. CLAMP  
(DROP FORGED)**



HSN CODE: 82057000

2	341/-	10
3	451/-	10
4	671/-	10
6	990/-	10
8	1463/-	10
10	2838/-	6
12	3399/-	6

CODE NO. U 406  
**UNIQUE BEARING PULLER  
FORGED STEEL UNIVERSAL**

	3	286/-	275/-	12
	4	374/-	352/-	12
	6	594/-	572/-	12
	8	781/-	726/-	12
	10	1012/-	979/-	6
	12	1188/-	1166/-	6
	14	2244/-	2068/-	4
	16	2541/-	2354/-	4
	18	2904/-	2695/-	2
	20	3421/-	3157/-	2
	24	4609/-	4411/-	2

HSN CODE: 82057000

CODE NO. U 408  
**UNIQUE G. CLAMP BAHCO TYPE  
(FINE THREAD)**



HSN CODE: 82057000

2	198/-	10
3	330/-	10
4	429/-	10
6	616/-	10
8	847/-	10
10	1100/-	6
12	1331/-	6
14	4246/-	4
16	4895/-	4
18	5489/-	4
20	6600/-	4
24	7909/-	4

CODE NO. U 406 GP  
**UNIQUE GEAR PULLER**

	2 1/4	396/-	10
	4	484/-	10
	6	913/-	10

HSN CODE: 82057000

CODE NO. U 408 HD  
**UNIQUE HEAVY DUTY  
G CLAMP  
TAPARIA TYPE**



HSN CODE: 82057000

2	330/-	10
3	440/-	10
4	594/-	10
6	770/-	10
8	946/-	10
10	1650/-	6
12	1991/-	6

Code No. U 372

HSN CODE: 82057000

## UNIQUE HSS ADJUSTABLE HAND REAMER



FOUR BLADES			
SYMBOLS	RANGE IN MM	RANGE IN INCHES	Price
HV	6.35-7.15	1/4-9/32	1265/-
HW	7.15-7.95	9/32-5/16	1265/-
HZ	7.95-8.7	5/16-11/32	1265/-
HY	8.7-9.5	11/32-3/8	1265/-

SIX BLADES			
SYMBOLS	RANGE IN MM	RANGE IN INCHES	Price
H1	9.5-10.25	3/8-13/32	1369/-
H2	10.25-11	13/32-7/16	1426/-
H3	11-12	7/16-15/32	1426/-
H4	12-13.5	15/32-17/32	1472/-
H5	13.5-15	17/32-19/32	1507/-
H6	15-16.75	19/32-21/32	1518/-
H7	16.75-18.25	21/32-23/32	1576/-
H8	18.25-19.75	23/32-25/32	1656/-
H9	19.75-21.5	25/32-27/32	1840/-
H10	21.5-24	27/32-15/16	2358/-
H11	24-27	15/16-1.1/16	2887/-
H12	27-30	1.1/16-1.3/16	3174/-
H13	30-34	1.3/16-1.11/32	3588/-
H14	34-38	1.11/32-1.1/2	3830/-
H15	38-46	1.1/2-1.13/16	6245/-
H16	46-56	1.13/16-2.7/32	10753/-
H17	56-70	2.7/32-2.3/4	14525/-
H18	70-85	2.3/4-11/32	19067/-
H19	85-100	3.11/32-4	28371/-
H4-H14-COMplete SET IN WOODEN BOX -----			26393/-
H4-H11-COMplete SET IN WOODEN BOX -----			15514/-



HSN CODE: 82057000

Code No. U 360

## UNIQUE T-BAR CRAMPS 1-1/2" X 1-1/2" TEE

SIZE IN FEET	Price
2	1860/-
2-1/2	1960/-
3	2046/-
3-1/2	2178/-
4	2244/-
4-1/2	2464/-
5	2541/-
6	2673/-
7	3498/-
8	4048/-

CODE NO. U 12

## UNIQUE PRECISION STEEL PARALLELS



HSN CODE: 82057000

Length	Width	Height	Price Each
150	20	10	3160/-
150	35	15	3427/-
200	45	20	5400/-
250	55	25	8200/-
300	60	30	11870/-
300	75	45	17952/-
450	75	45	23738/-

CODE NO. U 404 S  
UNIQUE DRILL SLEEVES



HSN CODE: 82057000

MORSE TAPER	PRICE EACH WORKSHOP GRADE	STD. PKG. IN PCS.
1-2	151/-	10
2-3	204/-	10
3-4	366/-	10
4-5	882/-	10
1-3	215/-	10
1-4	387/-	10
1-5	1000/-	10
2-4	366/-	10
2-5	882/-	10
3-5	882/-	10
2-6	3064/-	6
3-6	3064/-	6
4-6	3064/-	6
5-6	3064/-	6

CODE NO. U 404

## UNIQUE ARBOURS FOR DRILL CHUCKS (SUITABLE FOR ANY MAKE HARDENED & GROUND)



HSN CODE: 82057000

MORSE FOR CHUCK TAPER	CHUCK SIZE (INCHES)	PRICE EACH	STD. PKG. IN PCS.
1	1/4, 3/8, 1/2	140/-	10
2	1/4, 3/8, 1/2	161/-	10
2	5/8, 3/4	280/-	10
3	1/4, 3/8, 1/2, 5/8, 3/4	387/-	10
3	1	409/-	10
4	3/8, 1/2, 5/8, 3/4	495/-	10
4	1	516/-	10

CODE NO. U 115

## UNIQUE SINE PLATE WITH MAGNETIC CLAMP



HSN CODE: 90318000

Size	Price Each	STD. Packing in Pcs.
6x4	52180/-	1
6x6	53450/-	1
8x6	54685/-	1

CODE NO. U 121

## UNIQUE MAGNETIC ANGLE PLATE



HSN CODE: 90318000

Size	Price Each	STD. Packing in Pcs.
150x180x95	59652/-	1
200x180x95	79550/-	1



## PERMANENT MAGNETIC CHUCKS (RECTANGULAR) CLOSE POLES

Code No. U 345



HSN CODE: 85059000

SIZE IN INCHES	NO.OF POLES	PRICE EACH	STD. PKG. IN PCS.	SIZE IN INCHES	NO.OF POLES	PRICE EACH	STD. PKG. IN PCS.
6 x 4	4	10632/-	1	18 x 8	14	40205/-	1
7 x 4	5	11040/-	1	20 x 8	15	49031/-	1
8 x 4	6	11976/-	1	20 x 10	15	55793/-	1
10 x 5	7	14953/-	1	24 x 8	18	63361/-	1
12 x 6	9	20027/-	1	24 x 10	18	80163/-	1
12 x 8	9	23908/-	1	24 x 12	18	89612/-	1
14 x 6	10	23790/-	1	30 x 8	23	136041/-	1
14 x 8	10	27574/-	1	30 x 10	23	141728/-	1
16 x 6	12	26800/-	1	30 x 12	23	157402/-	1
16 x 8	12	29079/-	1	36 x 12	28	172290/-	1
18 x 6	14	28713/-	1	39 x 12	30	214527/-	1

## PERMANENT MAGNETIC CHUCKS (ROUND) CLOSE POLES

Code No. U 346F



HSN CODE: 85059000

SIZE IN INCHES	NO.OF POLES	PRICE EACH	STD. PKG. IN PCS.	SIZE IN INCHES	NO.OF POLES	PRICE EACH	STD. PKG. IN PCS.
4	3	10933/-	1	12	8	32540/-	1
5	4	14717/-	1	14	9	60888/-	1
6-1/2	4	15910/-	1	16	10	71971/-	1
8	5	17232/-	1	18	12	104092/-	1
10	6	23919/-	1				



HSN CODE: 85059000

## Code U 116: UNIQUE MAGNETIC BASE (EXPORT QUALITY)

Code No.	Model	Magnetic Pull (in Kgs.)	PRICE EACH
U116-2	7010 ON/OFF Switch	30-35 Kg.	1840/-

## Code U 117: UNIQUE MAGNETIC VEE BLOCKS (EXPORT QUALITY) Hardened & Ground



HSN CODE: 85059000

Code No.	Size of Vee Block LXWXH (MM)	Holding Capacity (in mm)	PRICE EACH PAIR (SOFT)	PRICE EACH PAIR (HARDENED)
U117-1	65x60x50	38	8350/-	16346/-
U117-2	80x65x60	48	10420/-	19624/-
U117-3	100x95x75	62	13700/-	24519/-
U117-4	150x95x75	65	21200/-	35600/-
U117-5	200x150x100	90	77500/-	121200/-



HSN CODE: 90318000

## Code U114 : UNIQUE DIAL COMPRA TOR STANDS- FINE ADJUSTMENT

Code No.	Description	(in Inches) Measuring Range	(in Inches) Fine Asjurement	Price Each
U114-1	6" x 5"	8	1/8	12800/-

Supplied Without Dial Gauge



HSN CODE: 90318000

## Code U114 : UNIQUE DIAL COMPRA TOR STANDS- FINE ADJUSTMENT

Code No.	Description	(in Inches) Measuring Range	(in Inches) Fine Asjstment	Price Each
U114-1	ROUND SERRATED	5	1/8	9844/-
U114-2	ROUND FLAT	5	1/8	8717/-
U114-3	SQUARE FLAT	5	1/8	8717/-
U114-4	SQUARE SERRATED	5	1/8	9844/-

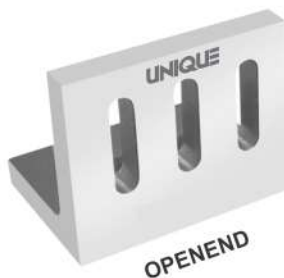
Supplied Without Dial Gauge



HSN CODE: 90318000

## Code U 122: UNIQUE CAST IRON ANGLE PLATES PLAIN (PRECISION GROUND)

Code No.	Size (in Inches)	Size (in mm)	Price Each
U122-4	4X4X4	100x100x100	2090/-
U122-5	5X5X5	125x125x125	3465/-
U122-6	6X6X6	150x150x150	5159/-
U122-8	8X8X8	200x200x200	8052/-
U122-10	10X10X10	250x250x250	15972/-



HSN CODE: 90318000

## UBB U123 : UNIQUE CAST IRON SLOTTED ANGLE PLATES - OPEN END (PRECISION GROUND)

Code No.	Size (in Inches)	Size (in MM)	Price OPEN END
U123-3	4.1/2x3.1/2x3	115x90x75	1991/-
U123-4	6x5x4.1/2	150x125x115	3146/-
U123-5	7x5.1/2x4.1/2	175x140x115	4510/-
U123-6	8x6x5	200x150x125	5214/-
U123-7	9x7x6	225x175x150	8734/-
U123-8	10x8x6	250x200x150	10461/-
U123-9	12x9x8	300x225x200	13981/-
U123-12	12x12x12	300x300x300	24827/-



HSN CODE: 90318000

## UBB U123 : UNIQUE CAST IRON SLOTTED ANGLE PLATES - WEBBED END (PRECISION GROUND)

Code No.	Size (in Inches)	Size (in MM)	Price WEBBED END
U123-3	4.1/2x3.1/2x3	115x90x75	2420/-
U123-4	6x5x4.1/2	150x125x115	3971/-
U123-5	7x5.1/2x4.1/2	175x140x115	5654/-
U123-6	8x6x5	200x150x125	6567/-
U123-7	9x7x6	225x175x150	11000/-
U123-8	10x8x6	250x200x150	13178/-
U123-9	12x9x8	300x225x200	17611/-
U123-12	12x12x12	300x300x300	27665/-



HSN CODE: 90318000

## Code U119: UNIQUE STEEL V BLOCKS & CLAMPS (EXPORT QUALITY) Hardened and Ground

Code No.	V Capacity	Price Each Pair
U119-1	40x30x30	3718/-
U119-2	50x37x37	4466/-
U119-3	63x48x48	6435/-
U119-4	80x60x60	6699/-
U119-5	100x75x75	16775/-

## UVB 120: UNIQUE VEE BLOCKS (CAST IRON) (SUPPLIED IN MATCHED PAIR) WITH ONE CLAMP



HSN CODE: 90318000

Code No.	No.	Dimensions of Blocks		Clamping Capacity		Price Each PAIR	
		LengthxWidthxHeight	Inches	Inches	mm		
U120-1	U 230	2x1.1/2x1.1/2		50x38x38	1.1/2	38	1628/-
U120-1	U230B	3x1.1/2x1.1/2		75x38x38	1.1/2	38	2035/-
U120-1	U 221A	3x2x2		75x50x50	2.1/2	63	2343/-
U120-1	U222	4x3x1.1/2		100x75x38	3.1/2	88	2937/-
U120-1	U222A	4x2.1/2x2.1/2		100x63x63	3.1/2	88	4345/-
U120-1	U222B	4x3x3		100x75x75	3.1/2	88	4400/-
U120-1	U223	5x3.1/2x3.1/4		125x88x44	4.1/4	108	5137/-
U120-1	U224	6x4x2		150x100x50	5	125	5764/-
U120-1	U224A	6x4x4		150x100x100	5	125	11176/-

CODE NO. U 31  
UNIQUE CLAMPING KIT  
34 Pcs.  
(With Wooden Box)



Code No.	Size	Price Each	Std. Pkg.
U 31-1	14-12MM	6663/-	2
U 31-2	16-12MM	6729/-	2
U 31-3	18-12MM	6823/-	2
U 31-4	18-16MM	8309/-	2

### 34 Pcs. CLAMPING KIT CONTAINS:

Code No.	T-Slot Nuts Code U23 4 Pcs.	Clamping Stud Code U30 4Pcs. Each	Flanged Nuts Code U21 4 Pcs.	Coupling Nuts Code U22 2 Pcs.	Strap Clamp Code U14 2 Pcs.	Height Plates Adjustable Code U10 2 Pcs.
U31-1	14-12 M	M12x80	M12	M12	12x100	2-50
U31-2	16-12 M	M12x100				2-100
U31-3	18-12 M	M12x160	M16	M16	16x1125	2-100
U31-4	18-16 M	M12X200				2-100

HSN CODE: 82057000

CODE NO. U 32  
UNIQUE CLAMPING KIT  
58 Pcs.  
(With Metallic Box)



Code No.	Size	Price Each	Std. Pkg.
U 32-1	14-12MM	11155/-	2
U 32-2	16-12MM	11265/-	2
U 32-3	18-12MM	11400/-	2
U 32-4	18-16MM	15340/-	2

### 58 Pcs. CLAMPING KIT CONTAINS:

Code	T-Slot Nuts Code U23 6 Pcs.	Clamping Stud Code U30 4Pcs. Each	Flanged Nuts Code U21 6 Pcs.	Coupling Nuts Code U22 4 Pcs.	Stepped Strap Clamp Code U15 2 Pcs. Each	Step Blocks Code U09 2 Pair (4 Pcs.) Each
U32-1	14-12 M	M12x63	M12	M12	12x80	1 2 Pairs
U32-2	16-12 M	M12x80				2 2 Pairs
U32-3	18-12 M	M12x100	M16	M16	12x100	3 2 Pairs
U32-4	18-16 M	M12x125				3 Pcs. Each
		M12x160			16x125	2 2Pairs
		M12x200			16x150	3 2Pairs

HSN CODE: 82057000

CODE NO. U 18  
UNIQUE TAPPED  
END STRAP CLAMP  
WITH ADJUSTABLE  
SUPPORT



HSN CODE: 82057000

Suitable for T-Slot	HxWxL	Price Each
12	-	787/-
16	48x30x125	944/-
20	60x38x180	1755/-
24	73x36x200	2662/-

CODE NO. U 18 A  
UNIQUE UNIVERSAL  
STRAP CLAMP



HSN CODE: 82057000

T-Slot Size	Clamping Range	Price Each
12	0-60	1283/-
14	0-60	1283/-
16	0-80	1658/-
18	0-80	1658/-
20	0-100	2481/-
22	0-100	2481/-
24	0-120	3412/-
28	0-120	3412/-

# UNIQUE XTRA TUFF

CODE NO. U 19  
UNIQUE MOULD CLAMP  
WITH CLAMPING STUD &  
FLANGE NUT



HSN CODE: 82057000

Clamping Stud	Clamping Range	Clamp Size	Price Each
M12 - 100	0-35	110x50	1331/-
M16 - 125	0-40	135x60	1513/-
M20 - 175	0-50	160x70	2481/-
M24 - 200	0-60	180x80	3388/-

CODE NO. U 19 A  
UNIQUE MOULD CLAMP  
WITH T-BOLT &  
FLANGE NUT



HSN CODE: 82057000

T-Slot Size	Clamping Range	Clamp Size	Price Each
M12	0-25	110x50	1331/-
M14	0-25	110x50	1331/-
M16	0-40	125x60	1634/-
M18	0-40	125x60	1634/-
M20	0-50	160x70	2602/-
M22	0-50	160x70	2602/-
M24	0-60	180x80	3751/-
M28	0-60	180x80	3751/-

CODE NO. U09  
UNIQUE UNIVERSAL  
STEP BLOCK (PAIR)



HSN CODE: 82057000

Code No.	Height Maximum	Price Per Pair	Std. Pkg.
U09-1	53	552/-	10
U09-2	105	823/-	10
U09-3	208	1967/-	10

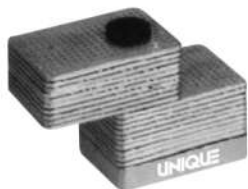
CODE NO. U11  
UNIQUE SCREW  
JACK STEEL BODY  
(With Flat Support)



HSN CODE: 82057000

CODE NO.	RANGE	Price Each	Std. Pkg.
U11-1	40-50	1000/-	6
U11-2	50-70	1210/-	10
U11-3	70-100	1790/-	10
U11-4	100-140	2560/-	4
U11-5	140-210	5150/-	2
U11-6	190-300	8250/-	2

CODE NO. U10  
UNIQUE SUPPORTING  
HEIGHT PLATES  
ADJUSTABLE



HSN CODE: 82057000

Code No.	Plate Thickness	Total Height	Price Each	Std. Pkg.
U10-1	2	25	585/-	10
U10-2	2	50	855/-	20
U10-3	2	75	1360/-	20
U10-4	2	100	1930/-	20
U10-5	2	125	2515/-	10
U10-6	2	150	3020/-	10
U10-7	4	25	740/-	20
U10-8	4	50	1073/-	10
U10-9	4	75	1695/-	10
U10-10	4	100	2414/-	10
U10-12	4	125	3144/-	10
U10-13	4	150	3772/-	10
U10-14	4	200	4140/-	10

CODE NO. U 14  
UNIQUE STRAP  
CLAMP  
DIN 6314  
IS:4292-1984



HSN CODE: 82057000

Code No.	Size	Suitable for Screw	Price Each	Std. Pkg.
U14-1	9x60	M8	220/-	6
U14-2	11x80	M10	355/-	10
U14-3	14x100	M12	506/-	10
U14-4	14x125	M12	590/-	10
U14-4A	14x125	M14	628/-	10
U14-5	18x125	M16	699/-	10
U14-6	18x160	M16	800/-	10
U14-7	22x160	M20	1323/-	4
U14-8	22x200	M20	1463/-	4
U14-9	26x200	M24	2110/-	4
U14-10	26x250	M24	2543/-	4
U14-11	30x250	M30	2984/-	2

CODE NO. U 15  
UNIQUE SERRATED  
STRAP CLAMP



HSN CODE: 82057000

Code No.	Size	Suitable for Screw	Price Each	Std. Pkg.
U15-1	11x80	M10	397/-	10
U15-1A	14x80	M12	464/-	10
U15-2	14x100	M12	498/-	10
U15-3	14x125	M12	636/-	10
U15-4	18x125	M16	689/-	10
U15-5	18x160	M16	917/-	10
U15-6	22x160	M20	1244/-	4
U15-7	22x200	M20	1445/-	4
U15-8	26x200	M24	2191/-	4

CODE NO. U 16  
UNIQUE U CLAMP  
IS 4293-1984  
DIN 6315-B Std.



HSN CODE: 82057000

Code No.	Size	Suitable for Screw	Price Each	Std. Pkg.
U16-1	14x160	M12	671/-	10
U16-2	18x200	M16	1155/-	10
U16-3	22x250	M20	2691/-	4
U16-4	26x250	M24	2763/-	4

CODE NO. U17  
UNIQUE GOOSE NECK  
CLAMP  
(IS:4279-1975)



HSN CODE: 82057000

CODE NO.	SIZE	Suitable For Screw Size	Price Each	Std. Pkg.
U 17-1	14x125	M12	792/-	10
U 17-2	18x160	M16	1245/-	10
U 17-3	22x200	M20	2276/-	4
U 17-4	26x250	M24	3904/-	4

CODE NO. U25  
UNIQUE PLAIN WASHER  
(DIN 6340)



HSN CODE: 82057000

Code No.	Suitable fo Screw	Price Each	Std. Pkg.
U 25-1	M8	25/-	50
U 25-2	M10	30/-	50
U 25-3	M12	52/-	50
U 25-3A	M14	60/-	50
U 25-4	M16	74/-	50
U 25-5	M20	90/-	50
U 25-6	M24	138/-	30
U 25-7	M30	245/-	20

CODE NO. U26  
UNIQUE SPHERICAL WASHER  
WITH CONICAL SEAT  
(DIN 6319C) IS: 4297-1996  
(DIN 6319D)



HSN CODE: 82057000

Code No.	Suitable fo Screw	Price Each	Std. Pkg.
U 26-1	M8	41/-	20
U 26-2	M10	45/-	30
U 26-3	M12	62/-	50
U 26-4	M16	87/-	50
U 26-5	M20	127/-	30
U 26-6	M24	202/-	30

CODE NO. U28  
UNIQUE C WASHER  
(DIN 6372) IS: 4291-1996



HSN CODE: 82057000

Code No.	Suitable fo Screw	Price Each	Std. Pkg.
U 28-1	M8	57/-	30
U 28-2	M10	78/-	30
U 28-3	M12	101/-	50
U 28-4	M16	177/-	50
U 28-5	M20	258/-	30
U 28-6	M24	399/-	30

CODE NO. U23  
UNIQUE T-SLOT NUT  
(DIN 508) IS: 2015-1977



HSN CODE: 82057000

Code No.	Suitable fo Screw	Price Each	Std. Pkg.
U 23-1	8xM6	33/-	50
U 23-2	10xM8	45/-	50
U 23-3	12xM10	56/-	50
U 23-3A	14xM10	63/-	50
U 23-4	14xM12	78/-	50
U 23-5	16xM12	98/-	50
U 23-6	18xM12	114/-	50
U 23-7	18xM16	130/-	50
U 23-8	20xM16	160/-	50
U 23-9	22xM16	200/-	30
U 23-10	22xM20	271/-	20
U 23-11	24xM20	323/-	10
U 23-12	28xM24	353/-	10

CODE NO. U20  
UNIQUE HEX HI NUT  
(DIN 6330)



HSN CODE: 82057000

Code No.	Suitable For Screw Size	Price Each	Std. Pkg.
U 20-1	M8	20/-	50
U 20-2	M10	25/-	50
U 20-3	M12	35/-	50
U20-3A	M14	44/-	50
U 20-4	M16	60/-	50
U 20-5	M20	101/-	30
U 20-6	M24	168/-	20
U 20-7	M30	321/-	10

CODE NO. U21  
UNIQUE FLANGE NUT  
(IS 7795-1975)



HSN CODE: 82057000

Code No.	Suitable For Screw Size	Price Each	Std. Pkg.
U 21-1	M8	44/-	50
U 21-2	M10	56/-	50
U 21-3	M12	73/-	50
U 21-4	M16	118/-	50
U 21-5	M20	176/-	30
U 21-6	M24	232/-	30

CODE NO. U30  
UNIQUE CLAMPING STUD  
(IS 13178 : 1991)



HSN CODE: 82057000

	T-Size	Thread	Length	Price Each	Std. Pkg.
U 30-0	M8		32	24/-	20
U 30-1	M8		40	25/-	20
U 30-2	M8		50	25/-	20
U 30-3	M8		63	34/-	20
U 30-4	M8		80	35/-	20
U 30-5	M8		100	38/-	20
U 30-6	M8		150	44/-	20
U 30-7	M10		50	32/-	20
U 30-7A	M10		63	36/-	20
U 30-8	M10		80	42/-	20
U 30-9	M10		100	47/-	20
U 30-10	M10		125	60/-	20
U 30-11	M10		160	73/-	20
U 30-12	M10		200	93/-	10
U 30-13	M12		50	37/-	30
U 30-14	M12		63	42/-	30
U 30-15	M12		80	47/-	30
U 30-16	M12		100	57/-	30
U 30-17	M12		125	74/-	30
U 30-18	M12		160	92/-	30
U 30-19	M12		200	119/-	30
U 30-20	M12		250	130/-	20
U 30-21	M12		315	202/-	10
U30-18A	M14		100	72/-	30
U30-19A	M14		150	114/-	30
U30-20A	M14		200	133/-	30
U30-21A	M14		250	159/-	30
U 30-22	M16		63	57/-	30
U 30-23	M16		80	66/-	30
U 30-24	M16		100	101/-	30
U 30-25	M16		125	116/-	30
U 30-26	M16		160	144/-	30
U 30-27	M16		200	189/-	30
U 30-28	M16		250	231/-	20
U 30-29	M16		315	285/-	10
U 30-31	M20		100	168/-	20
U 30-32	M20		125	190/-	20
U 30-33	M20		160	245/-	20
U 30-34	M20		200	273/-	20
U 30-35	M20		250	346/-	20
U 30-36	M20		315	423/-	10
U 30-37	M20		400	510/-	6
U 30-39	M20		500	652/-	6
U 30-40	M24		100	171/-	20
U 30-41	M24		125	245/-	20
U 30-42	M24		160	269/-	20
U 30-43	M24		200	348/-	20
U 30-44	M24		250	422/-	20
U 30-45	M24		315	563/-	10
U 30-46	M24		400	687/-	6
U 30-48	M24		500	870/-	6

# UNIQUE XTRA TUFF

CODE NO. U22  
UNIQUE EXTENSION  
NUT



HSN CODE: 82057000

Code No.	Suitable For Screw Size	Price Each	Std. Pkg.
U22-0	M8	34/-	50
U 22-1	M10	40/-	50
U 22-2	M12	56/-	50
U 22-2A	M14	85/-	50
U 22-3	M16	109/-	50
U 22-4	M20	195/-	50
U 22-5	M24	331/-	30
U 22-6	M30	659/-	10

CODE NO. U 13 P  
UNIQUE SELF  
ALIGNING PAD  
(Plain)



HSN CODE: 82057000

Code No.	Dia	Length	Price Each	Std. Pkg.
U 13P-1	8	8	546/-	5
U 13P-2	10	10	781/-	10
U 13P-3	12	12	997/-	10
U 13P-4	16	16	1280/-	10
U 13P-5	20	20	2405/-	5

CODE NO. U 13  
UNIQUE SELF ALIGNING  
PAD (Ribbed)



HSN CODE: 82057000

Code No.	Dia	Length	Price Each	Std. Pkg.
U 13-1	8	8	559/-	5
U 13-2	10	10	810/-	10
U 13-3	12	12	1010/-	10
U 13-4	16	16	1294/-	10
U 13-5	20	20	2424/-	5

CODE NO. U30S  
UNIQUE CLAMPING STUD  
WITH SLOT HAVING TAPPED  
HOLES (Hardened & Tempered)



HSN CODE: 82057000

Code No.	T-Size x Thread	Length	Price Each	Std. Pkg.
U 30S-1	M12	100	97/-	20
U 30S-2	M12	125	116/-	20
U 30S-3	M12	150	127/-	20
U 30S-4	M12	175	139/-	20
U 30S-5	M16	125	156/-	20
U 30S-6	M16	150	176/-	20
U 30S-7	M16	175	210/-	20
U 30S-8	M16	200	226/-	20
U 30S-9	M20	125	187/-	10
U 30S-10	M20	150	243/-	10
U 30S-11	M20	175	285/-	10
U 30S-12	M20	200	310/-	10
U 30S-13	M24	150	320/-	10
U 30S-14	M24	175	377/-	10
U 30S-15	M24	200	423/-	10
U 30S-16	M24	225	452/-	10

CODE NO. U29  
UNIQUE T-BOLT  
(IS 2014:1996)



HSN CODE: 82057000

Code No.	T-Size x Thread	Length	Price Each	Std. Pkg.
U 29-10	12mm x M12	50	91/-	50
U 29-11	12mm x M12	65	100/-	50
U 29-12	12mm x M12	80	104/-	50
U 29-13	12mm x M12	100	120/-	50
U 29-14	12mm x M12	125	130/-	50
U 29-15	12mm x M12	160	149/-	50
U 29-16	12mm x M12	200	168/-	30
U 29-17	12mm x M12	250	203/-	10
U 29-20	14mm x M12	80	126/-	50
U 29-21	14mm x M12	100	142/-	50
U 29-22	14mm x M12	125	158/-	50
U 29-23	14mm x M12	160	170/-	50
U 29-24	14mm x M12	200	199/-	30
U 29-25	14mm x M12	250	240/-	30
U 29-28	16mm x M16	80	155/-	50
U 29-29	16mm x M16	100	170/-	50
U 29-30	16mm x M16	125	194/-	50
U 29-31	16mm x M16	160	207/-	50
U 29-32	16mm x M16	200	268/-	30
U 29-33	16mm x M16	250	346/-	30
U 29-36	18mm x M16	80	158/-	50
U 29-37	18mm x M16	100	190/-	50
U 29-38	18mm x M16	125	199/-	50
U 29-39	18mm x M16	160	221/-	50
U 29-40	18mm x M16	200	278/-	20
U 29-41	18mm x M16	250	375/-	20
U 29-42	18mm x M16	320	435/-	10
U 29-44	20mm x M20	100	232/-	20
U 29-46	20mm x M20	160	318/-	20
U 29-47	20mm x M20	200	337/-	20
U 29-51	22mm x M20	100	301/-	20
U 29-53	22mm x M20	160	406/-	20
U 29-54	22mm x M20	200	422/-	10
U 29-55	22mm x M20	250	492/-	6
U 29-56	22mm x M20	320	651/-	6
U 29-59	24mm x M24	160	464/-	6
U 29-60	24mm x M24	200	531/-	6
U 29-64	24mm x M28	100	488/-	6
U 29-66	24mm x M28	160	689/-	6
U 29-67	24mm x M28	200	839/-	6
U 29-68	24mm x M28	250	1094/-	6
U 29-69	24mm x M28	320	1168/-	6

**UNIQUE INDUSTRIES**  
(INDIA)

AUTHORISED STOCKIST