

# UNIQUE

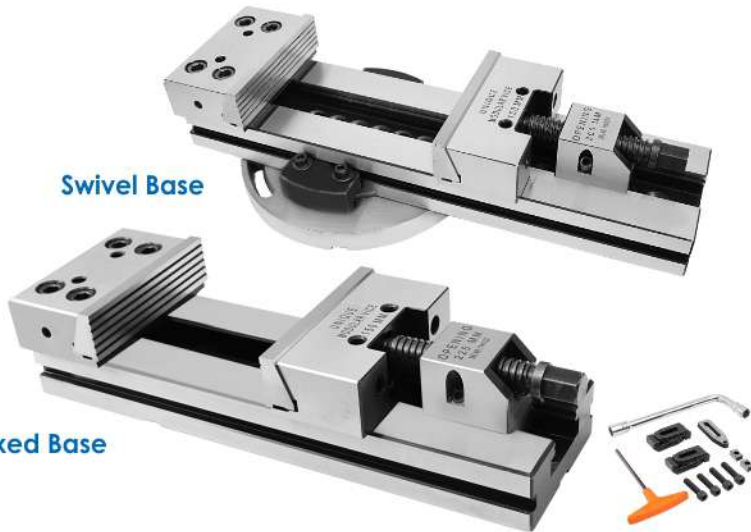
XTRA TUFF VICES



W.E.F. 10TH APRIL, 2026

PRICE LIST NO. 72

Swivel Base



Fixed Base

Code No. U3333

**UNIQUE MODULAR PRECISION MACHINE VISE**

**HARDNESS : 60 ±2 HRC**

All dimensions in mm

Jaw Width	Opening	Price ₹ Fixed Base	Price ₹ Swivel Base
100	130	38200/-	-
125	175	41000/-	-
150	225	48620/-	67520/-
	300	55650/-	74550/-
200	300	75750/-	-
	400	98150/-	-
	500	111820/-	-

HSN CODE: 84669390

Code No. U3333 PJ

**UNIQUE MODULAR PRECISION MACHINE VISE  
(WITH PARALLEL TOP JAWS)**

**HARDNESS : 60 ±2 HRC**

All dimensions in mm



Jaw Width	Opening	Price ₹ Fixed Base	Price ₹ Swivel Base
125	175	36750/-	-
150	225	42740/-	61640/-
	300	50400/-	69300/-
200	300	68250/-	-

HSN CODE: 84669390

Code No. U3434

**UNIQUE TWO PIECE MODULAR PRECISION  
MACHINE VISE**

Ideal for Long Work Pieces.

**HARDNESS : 60 ±2 HRC**

All dimensions in mm



Jaw Width	Opening	Price ₹
150	Assorted	54680/-
200	Assorted	77550/-

HSN CODE: 84669390



Code No. U3131  
**UNIQUE PRECISION SELF CENTERING  
5 AXIS VISE**  
Compatible for :  
4th & 5th Axis CNC Machining Centres

Jaw Width	Standard Jaw Opening	Reverse Jaw Opening	Price ₹
50	50	80	45150/-
	70	100	46440/-
75	65	105	48360/-
100	80	130	53500/-
125	130	180	58800/-
150	155	205	66950/-
200	180	300	77950/-

Alloy Steel Body All dimensions in mm  
Case Hardened HRC 60 ± 2  
Accuracy in squareness 0.001/100 mm  
HSN CODE: 84669390



Code No. U3131 RB  
**HEIGHT RISER BLOCK**  
ACCESSORY OF U3131 PRECISION VISE  
MADE WITH HIGH-GRADE ALUMINIUM

Jaw Width	Price ₹
50	26600/-
75	30200/-
100	31500/-
125	35000/-
150	45000/-

HSN CODE: 84669390 All dimensions in mm



Code No. U3636 R  
**UNIQUE QUICK POINT CLAMPING PLATE**  
WITH CLAMPING EDGE & MOUNTING BORES  
HARDNESS : HRC 60 ± 2

Grid Pattern	Price ₹
52 mm	31500/-
96 mm	44000/-
Combo 52 & 96 mm	58400/-

HSN CODE: 84669390 All dimensions in mm



Code No. U3636 C  
**UNIQUE QUICK POINT CLAMPING PLATE (CIRCULAR)**  
WITH CLAMPING EDGE & MOUNTING BORES  
HARDNESS : HRC 60 ± 2

Grid Pattern	Price ₹
52 mm	38000/-
96 mm	50000/-
Combo 52 & 96 mm	62000/-

HSN CODE: 84669390 All dimensions in mm

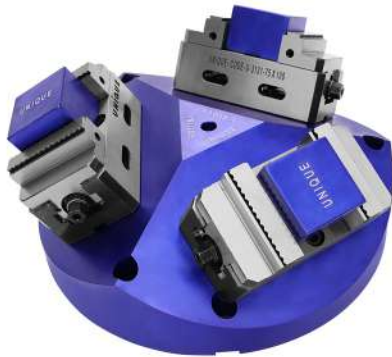


Code No. U3636 STUD  
**UNIQUE STUD FOR QUICK POINT CLAMPING PLATE**

Suitable For Grid Pattern	Price ₹
52 x 52 mm	820/-
96 x 96 mm	980/-

HSN CODE: 84669390

All dimensions in mm



Code No. U3737  
**UNIQUE PYRAMID**

COMPATIBLE WITH U3131 - 50, 75 & 100 MM  
MADE WITH HIGH-GRADE ALUMINIUM

Height	Price ₹
100	65000/-
150	70000/-

HSN CODE: 84669390

All dimensions in mm



Code No. U3535  
**UNIQUE ADAPTOR PLATE**

COMPATIBLE WITH U3131 - 50, 75 & 100 MM

Diameter	Price ₹ Aluminium	Price ₹ Hardened Steel
160	23100/-	22740/-
220	31300/-	30880/-

HSN CODE: 84669390

All dimensions in mm



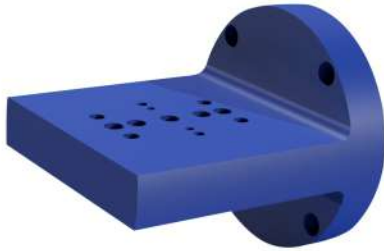
Code No. U4444  
**UNIQUE L TYPE TOMBSTONE**

COMPATIBLE WITH U3131  
MADE WITH HIGH-GRADE ALUMINIUM

Base Diameter x Total Height	Compatible Items		Price ₹
	Item	Size	
160 x 200	U 3131	50 x 80	80510/-
		50 x 100	
		75 x 105	
200 x 275	U 3636 R	52 x 52	84000/-
		U 3131	
	U 3636 R	125 x 180	
		52 x 52	
		96 x 96	

HSN CODE: 84669390

All dimensions in mm



Code No. U4343

**UNIQUE T TYPE TOMBSTONE**

COMPATIBLE WITH U3131  
MADE WITH HIGH-GRADE ALUMINIUM

Base Diameter x Total Height	Compatible Items		Price ₹
	Item	Size	
160 x 200	U 3131	50 x 80	87820/-
		50 x 100	
		75 x 105	
	U 3636 R	52 x 52	
200 x 275	U 3131	100 x 130	90910/-
		125 x 180	
	U 3636 R	52 x 52	
		96 x 96	

HSN CODE: 84669390

All dimensions in mm



Code No. U4242

**UNIQUE Y TYPE TOMBSTONE**

COMPATIBLE WITH U3131

Base Diameter x Total Height	Compatible Items		Price ₹	Price ₹
	Item	Size	Aluminium	Alloy Steel
160 x 200	U 3131	50 x 80	94550/-	92730/-
		50 x 100		
		75 x 105		
	U 3636 R	52 x 52		
200 x 275	U 3131	100 x 130	100000/-	96370/-
		125 x 180		
	U 3636 R	52 x 52		
		96 x 96		

HSN CODE: 84669390

All dimensions in mm



Code No. U4141

**UNIQUE QUICK POINT TOMBSTONE**

COMPATIBLE WITH U3131 - 50, 75 & 100 MM  
U3636 C - 96 MM PLATE INCLUDED

Base Diameter x Total Height	Price ₹ Aluminium	Price ₹ Alloy Steel
220 x 240	112750/-	109100/-

HSN CODE: 84669390

All dimensions in mm



Code No. U4040

**UNIQUE TOMBSTONE**

COMPATIBLE WITH U3131 - 50, 75 & 100 MM

Base Diameter x Total Height	Price ₹ Aluminium	Price ₹ Alloy Steel
220 x 250	105500/-	101800/-

HSN CODE: 84669390

All dimensions in mm



Code No. U1313  
**UNIQUE MECHANICAL BOOSTER  
POWER VISE**

All dimensions in mm

Jaw Width	Opening	Price ₹
125	175	73500/-
150	200	78180/-
	300	81820/-

HSN CODE: 84669390



Code No. U3510  
**UNIQUE HYDRAULIC PRESSURE VISE  
HIGH QUALITY FCD 60 BODY**

All dimensions in mm

Jaw Width	Opening	Price ₹ Fixed Base	Price ₹ Swivel Base
100	175	37390/-	42330/-
	200	40110/-	44870/-
150	300	42440/-	47140/-

HSN CODE: 84669390



Code No. U5510  
**UNIQUE PRECISION TILT LOCK  
HYDRAULIC VISE  
HIGH QUALITY FCD 60 BODY**

Jaw Width	Opening	All dimensions in mm	
A	B	Price ₹	
150	200	64320/-	
	300	74350/-	

HSN CODE: 84669390



Code No. U2727  
**UNIQUE PRECISION WIRE EDM VISE**  
STAINLESS STEEL - 420  
HARDNESS : HRC 50 ± 2

Opening	Price ₹
150	54500/-

HSN CODE: 84669390

All dimensions in mm



Code No. U2121  
**UNIQUE PRECISION HIGH GRIP MACHINE VISE**  
(HARDENED GUIDE WAYS)

Jaw Width	Standard Jaw Opening	Reverse Jaw Opening	Price ₹
150	175	265	43600/-
	215	400	59850/-

HSN CODE: 84669390

All dimensions in mm



Code No. U2222  
**UNIQUE PRECISION SELF CENTERING HIGH GRIP MACHINE VISE**  
(HARDENED GUIDE WAYS)  
CENTER JAW INCLUDED

Jaw Width	Standard Jaw Opening	Reverse Jaw Opening	Price ₹
150	175	265	49500/-
	260	400	68250/-

HSN CODE: 84669390

All dimensions in mm

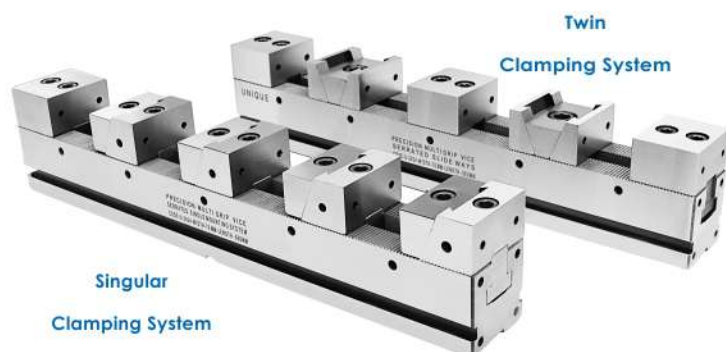


Code No. U2525  
**UNIQUE PRECISION HIGH GRIP SELF CENTERING SHAFT VISE**  
(HARDENED GUIDE WAYS)

Jaw Width	Standard Jaw Opening	Reverse Jaw Opening	Price ₹
150	40-100	20-40	52800/-
	50-150	30-50	70350/-

HSN CODE: 84669390

All dimensions in mm



Code No. U2424  
**UNIQUE PRECISION MULTI GRIP VISE**  
SERRATED GUIDE WAYS

Jaw Width	Opening	Twin Clamping System	Singular Clamping System
70	340	2 x U2626 SM; 1 x U2626 TW	1 x U2626 SM; 2 x U2626 SW
	540	3 x U2626 SM; 2 x U2626 TW	1 x U2626 SM; 4 x U2626 SW
	600	3 x U2626 SM; 2 x U2626 TW	1 x U2626 SM; 4 x U2626 SW

Jaw Width	Opening	Price ₹
70	340	45000/-
	540	70000/-
	600	73340/-

HSN CODE: 84669390

All dimensions in mm

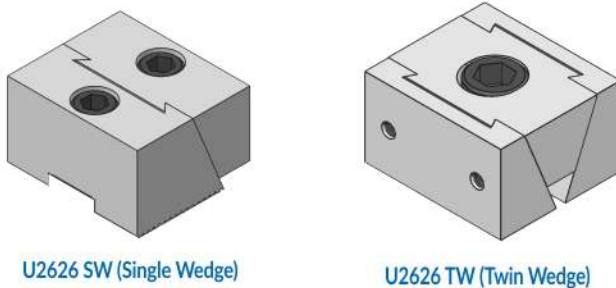


Code No. U2424 COMPACT  
**UNIQUE COMPACT PRECISION MULTI GRIP VISE**  
SERRATED GUIDE WAYS

All dimensions in mm

Jaw Width	Type	Price ₹ Serrated Guideways
70	Type 1	27450/-
	Type 2	24450/-
	Type 3	22350/-
	Type 4	21600/-
	Type 5	20850/-

HSN CODE: 84669390



Code No. U2626  
**UNIQUE WEDGE CLAMP & ACCESSORIES**

**SINGLE WEDGE**

Jaw Width	Price ₹
42	3850/-
52	4210/-
70	4770/-

**TWIN WEDGE**

Jaw Width	Price ₹
42	4050/-
52	4400/-
70	4970/-

HSN CODE: 84669390

All dimensions in mm



Code No. U2828  
**UNIQUE TOE CLAMP**  
WITH REVERSIBLE JAWS

Jaw Width	Price ₹
42	5720/-
58	7150/-



Application of Micro Edge Clamp



Code No. U2929  
**UNIQUE MICRO EDGE CLAMP**  
WITH HARDENED JAWS

**CLAMP**

Jaw Width	Price ₹ Clamp
30	6220/-
40	7650/-

**STOPPER**

Jaw Width	Price ₹ Stopper
30	5690/-
40	7250/-

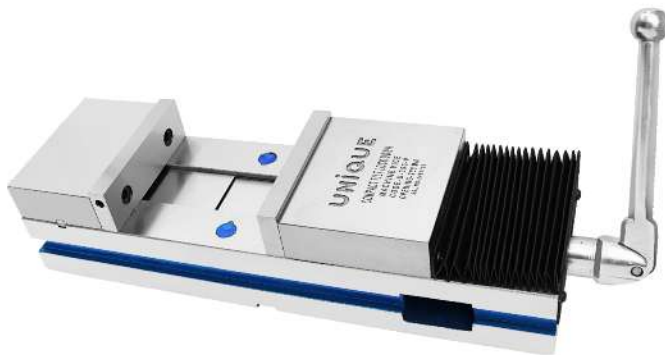


Code No. U350 & U350 S  
**UNIQUE TILT LOCK MACHINE VISE**  
(HARDENED GUIDE WAYS)  
WITH OPTIONAL SWIVEL BASE  
HIGH QUALITY FCD 60 BODY

Jaw Width	Standard Opening	Price ₹ Fixed Base	Price ₹ Swivel Base
100	150	16250/-	18470/-
125	125	18950/-	23910/-
150	175	22810/-	27280/-
	225	28320/-	35120/-
200	250	41320/-	49150/-
	300	48050/-	56830/-
250	350	68550/-	78500/-
300	400	80660/-	93500/-

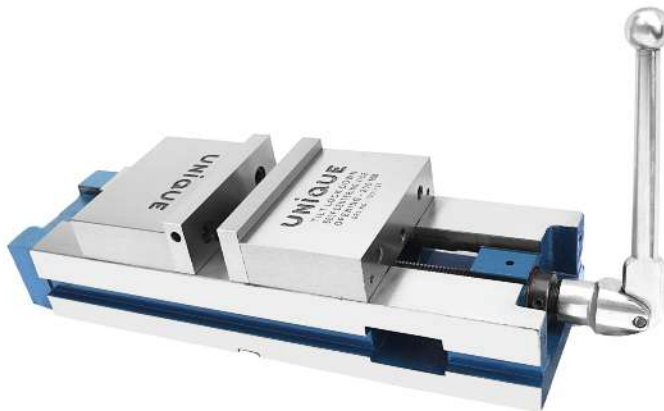
HSN CODE: 84669390

All dimensions in mm



Code No. U350 P  
**UNIQUE PRECISION COMPACT LOCK MACHINE VISE**  
(HARDENED GUIDE WAYS)  
HIGH QUALITY FCD 60 BODY

Jaw Width	Opening	Price ₹
150	225	27270/-



Code No. U350 SCV  
**UNIQUE ANGLE LOCK SELF CENTERING VISE**  
(HARDENED GUIDE WAYS)  
HIGH QUALITY FCD 60 BODY

Jaw Width	Opening	Price ₹
150	225	29600/-



Code No. U355  
**UNIQUE PRECISION DUAL STATION VISE**  
HIGH QUALITY FCD 60 BODY

Jaw Width	Standard Jaw Opening	Reverse Jaw Opening	Price ₹
152	125	520	60610/-

HSN CODE: 84669390

All dimensions in mm



Fixed Base

Swivel Base

Code No. U310 & U310 S  
**UNIQUE MILLING MACHINE VISE**  
WITH OPTIONAL SWIVEL BASE

Jaw Width	Opening	Price ₹ Fixed Base	Price ₹ Swivel Base
50	50	-	-
75	75	-	-
100	100	13160/-	15190/-
125	125	15740/-	18010/-
150	150	17840/-	20840/-
200	200	33130/-	37160/-
250	250	67190/-	76530/-
300	300	79250/-	96470/-

HSN CODE: 84669390

All dimensions in mm



Fixed Base

Swivel Base

Code No. U310 & U310S (FCD 60 BODY)  
**UNIQUE MILLING MACHINE VISE**  
WITH OPTIONAL SWIVEL BASE  
UNBREAKABLE BODY

Jaw Width	Opening	Price ₹ Fixed Base	Price ₹ Swivel Base
50	50	7500/-	9050/-
75	75	9320/-	10410/-
100	100	15550/-	18150/-
125	125	18150/-	22050/-
150	150	22030/-	25930/-
200	200	38380/-	44820/-
250	250		
300	300		

HSN CODE: 84669390

All dimensions in mm



Fixed Base

Swivel Base

Code No. U348N & U348NS  
**UNIQUE PRECISION MILLING MACHINE VISE**  
J & S TYPE (ENGLAND)  
WITH OPTIONAL SWIVEL BASE

Jaw Width	Opening	Price ₹ Fixed Base	Price ₹ Swivel Base
100	100	15360/-	18300/-
150	150	21390/-	24950/-
200	200	37000/-	41250/-

HSN CODE: 84669390

All dimensions in mm



Fixed Base

Swivel Base

Code No. U309 & U309S  
**UNIQUE SUPER MILLING VISE**  
BRIDGE PORT TYPE  
WITH OPTIONAL SWIVEL BASE

Jaw Width	Opening	Price ₹ Fixed Base	Price ₹ Swivel Base
100	100	14360/-	16030/-
125	125	16900/-	19230/-
150	150	18380/-	21030/-
200	200	35350/-	37350/-

HSN CODE: 84669390

All dimensions in mm



Fixed Base

Swivel Base

Code No. U3210  
**UNIQUE HEAVY DUTY PRECISION MACHINE VISE**  
**HIGH QUALITY FCD 60 BODY**

Jaw Width	Opening	Price ₹ Fixed Base	Price ₹ Swivel Base
150	150	37910/-	44700/-

HSN CODE: 84669390

All dimensions in mm



Fixed Base

Swivel Base

Code No. U311 & U311 S  
**UNIQUE SHAPER VISE**  
WITH OPTIONAL SWIVEL BASE

Jaw Width	Opening	Price ₹ Fixed Base	Price ₹ Swivel Base
150	200	14100/-	16100/-
200	250	25850/-	29920/-
250	300	40850/-	47550/-
300	360	58100/-	70350/-
400	400	90400/-	100900/-

HSN CODE: 84669390

All dimensions in mm



Code No. U312  
**UNIQUE TILTING & SWIVELLING VISE**

Jaw Width	Opening	Price ₹
50	50	-
80	75	-
100	100	18480/-
125	125	22730/-
150	150	26310/-
200	200	47780/-

HSN CODE: 84669390

All dimensions in mm



Code No. U312 (FCD 60 BODY)  
**UNIQUE TILTING & SWIVELLING VISE**  
**UNBREAKABLE BODY**

Jaw Width	Opening	Price ₹
50	50	10730/-
80	75	13540/-
100	100	19000/-
125	125	28770/-
150	150	32140/-
200	200	54790/-

HSN CODE: 84669390

All dimensions in mm



Code No. U349 N  
**UNIQUE PRECISION TILTING & SWIVELLING VISE**  
J & S TYPE (ENGLAND)

Jaw Width	Opening	Price ₹
100	100	20990/-
150	150	30000/-

HSN CODE: 84669390

All dimensions in mm



Code No. U313 (FCD 60 BODY)  
**UNIQUE UNIVERSAL MACHINE VISE**  
UNBREAKABLE BODY

Jaw Width	Opening	Price ₹
50	50	20470/-
75	75	23390/-
100	65	25900/-
150	115	37800/-

HSN CODE: 84669390

All dimensions in mm



Code No. U330  
**UNIQUE 3 WAY UNIVERSAL**  
**TILT & SWIVEL ANGLE VISE**

Jaw Width	Opening	Price ₹
50	50	12610/-
75	75	18970/-
100	100	28420/-
150	150	48800/-

HSN CODE: 84669390

All dimensions in mm



Code No. U331  
**UNIQUE MILLING VISE**  
TWO PIECE ADJUSTABLE

Jaw Width	Price ₹
150	15230/-
200	21360/-

HSN CODE: 84669390

All dimensions in mm



Code No. U301  
**UNIQUE MECHANIC'S BENCH VISE**  
TWIN GUIDE  
FIXED BASE

Jaw Width	Price ₹	Std. Packing
2½	2200/-	6
3	2700/-	6
3½	3610/-	4
4	5030/-	4
4½	5770/-	4
5	7580/-	3
6	9310/-	2
8	15540/-	1
10	27080/-	1
12	29590/-	1

HSN CODE: 82057000 All dimensions in inches



Code No. U301 L  
**UNIQUE BENCH VISE ECO MODEL**  
FIXED BASE  
BROAD ANVIL  
**UNBREAKABLE BODY**

Jaw Width	Price ₹	Std. Packing
3	1850/-	4
4	3050/-	2
5	4800/-	2
6	6450/-	2
8	10400/-	2
10	11000/-	1
12	13500/-	1

HSN CODE: 82057000 All dimensions in inches

Code No. U301 LS  
**UNIQUE BENCH VISE ECO MODEL**  
SWIVEL BASE  
BROAD ANVIL  
**UNBREAKABLE BODY**

Jaw Width	Price ₹	Std. Packing
3	2150/-	4
4	3400/-	2
5	5200/-	2
6	7100/-	2
8	11200/-	2
10	17400/-	1
12	20900/-	1

HSN CODE: 82057000 All dimensions in inches

Code No. U308  
**UNIQUE SUPER HEAVY DUTY BENCH VISE**  
DOUBLE RIB  
FIXED BASE

Jaw Width	Price ₹	Std. Packing
3	3170/-	6
3½	4450/-	4
4	5990/-	4
4½	7250/-	3
5	9660/-	2
6	11550/-	2
8	18400/-	1

HSN CODE: 82057000 All dimensions in inches

Code No. U308S  
**UNIQUE SUPER HEAVY DUTY BENCH VISE**  
DOUBLE RIB  
SWIVEL BASE

Jaw Width	Price ₹	Std. Packing
3	5000/-	4
3½	5610/-	4
4	7870/-	4
4½	8880/-	3
5	11410/-	2
6	14080/-	2
8	22810/-	1

HSN CODE: 82057000 All dimensions in inches

Code No. U327  
**UNIQUE QUICK ACTION BENCH VISE**  
DOUBLE RIB

Jaw Width	Price ₹	Std. Packing
4	9920/-	3
4½	11200/-	2
5	13420/-	2
6	16000/-	2

HSN CODE: 82057000 All dimensions in inches



Code No. U301 S  
**UNIQUE MECHANIC'S BENCH VISE**  
TWIN GUIDE.  
SWIVEL BASE

Jaw Width	Price ₹	Std. Packing
2½	2660/-	6
3	3350/-	6
3½	4290/-	4
4	6060/-	4
4½	6860/-	4
5	9000/-	3
6	11100/-	2
8	18770/-	1
10	33900/-	1
12	37280/-	1

HSN CODE: 82057000 All dimensions in inches



Code No. U301 R STEEL  
**UNIQUE ENGINEER'S BENCH VISE**  
FIXED BASE  
**UNBREAKABLE BODY**

Jaw Width	Price ₹	Std. Packing
3	2280/-	4
3½	3250/-	2
4	3700/-	2
4½	4520/-	2
5	5430/-	2
6	7150/-	1
8	11410/-	1
10	16600/-	1
12	19990/-	1
16	27410/-	1
18	34560/-	1

HSN CODE: 82057000 All dimensions in inches



Code No. U301 RS STEEL  
**UNIQUE ENGINEER'S BENCH VISE**  
SWIVEL BASE  
**UNBREAKABLE BODY**

Jaw Width	Price ₹	Std. Packing
3	3160/-	4
3-1/2	4170/-	2
4	4530/-	2
4½	5600/-	2
5	6710/-	2
6	8250/-	1
8	12760/-	1

HSN CODE: 82057000 All dimensions in inches





Code No. U338N  
**UNIQUE ALL STEEL  
BENCH VISE  
FIXED BASE**

Jaw Width	Price ₹	Std. Packing
3	1850/-	12
4	2390/-	8
5	3670/-	5
6	4610/-	4
8	6770/-	3

HSN CODE: 82057000 All dimensions in inches



Code No. U338NS  
**UNIQUE ALL STEEL  
BENCH VISE  
SWIVEL BASE**

Jaw Width	Price ₹	Std. Packing
3	2130/-	8
4	2810/-	6
5	4420/-	4
6	5780/-	3
8	8390/-	2

HSN CODE: 82057000 All dimensions in inches



Code No. U1301  
**UNIQUE MACHINIST'S  
BENCH VICE**  
As Per IS 2586-1986

**BRONZE NUT**

Jaw Width	Price ₹	Std. Packing
4	8830/-	3
5	11430/-	2
6	14420/-	2

HSN CODE: 82057000 All dimensions in inches

**FORGED NUT**

Jaw Width	Price ₹	Std. Packing
4	7440/-	3
5	9650/-	2
6	12370/-	1

HSN CODE: 82057000 All dimensions in inches



Code No. U316  
**UNIQUE PRECISION TOOL  
ROOM'S BENCH VICE**  
EXTRA HEAVY DUTY

Jaw Width	Price ₹	Std. Packing
4	10390/-	3
5	12870/-	2
6	18930/-	1

HSN CODE: 82057000 All dimensions in inches



Code No. U316 (FCD 60 BODY)  
**UNIQUE PRECISION TOOL  
ROOM'S BENCH VICE**  
UNBREAKABLE BODY

Jaw Width	Price ₹	Std. Packing
4	7170/-	3
5	11400/-	2
6	16770/-	1

HSN CODE: 82057000 All dimensions in inches



Code No. U1300  
**UNIQUE MULTIPURPOSE VISE**  
UNBREAKABLE BODY

Jaw Width	Price ₹	Std. Packing
4	6340/-	1
5	7610/-	1
6	9650/-	1

HSN CODE: 82057000 All dimensions in inches



Code No. U365  
**UNIQUE CAST IRON ANVIL**

Weight in Kgs.	Price ₹
10	2390/-
15	3590/-
25	5980/-
30	7170/-
35	8360/-
50	11950/-
75	17920/-
100	23890/-
150	35830/-

Code No. U365 STEEL  
**CAST IRON ANVIL WITH STEEL PLATE**

Weight in Kgs.	Price ₹
25	7170/-
50	14330/-
75	21500/-
100	28670/-
150	43000/-

HSN CODE: 82057000 All dimensions in inches



Code No. U303  
**UNIQUE PIPE VISE**  
OPEN TYPE

Jaw Width	Price ₹	Std. Packing
1/8-1/4	2160/-	4
1/4-2	3230/-	4
1/4-3	5200/-	4
1/4-4	6350/-	3
2-6	13420/-	1
2-8	26530/-	1
2-10	65670/-	1
2-12	81540/-	1

HSN CODE: 82057000 All dimensions in inches



Code No. U303N  
**UNIQUE PIPE VISE**  
OPEN TYPE  
UNBREAKABLE BODY

Jaw Width	Price ₹	Std. Packing
2	3550/-	4
3	5130/-	4
4	6360/-	3

HSN CODE: 82057000 All dimensions in inches



Code No. U304  
**UNIQUE SELF LOCKING VISE**

Jaw Width	Price ₹	Std. Packing
1-1/2	1680/-	12
2	2180/-	10
2-1/2	3200/-	8
3-1/2	4830/-	6
4-1/2	6970/-	4
6	13180/-	2

HSN CODE: 82057000 All dimensions in inches



Code No. U304 PT  
**UNIQUE PIPE VISE PILLAR TYPE**  
CHANGEABLE JAWS

Jaw Width	Price ₹	Std. Packing
1-1/2	1440/-	12
2	1650/-	12
3	2800/-	8
4	3720/-	8
6	7700/-	2

HSN CODE: 82057000 All dimensions in inches



Code No. U 425  
**UNIQUE PRECISION SINE VISE**  
LEAD SCREW TYPE  
**TOOL STEEL BODY**

Jaw Width	Price ₹	Std. Packing
3	36650/-	2
4	44000/-	2

HSN CODE: 84669390 All dimensions in inches



Code No. U342  
**UNIQUE CHAIN PIPE VISE**

Jaw Width	Price ₹	Std. Packing
2	1070/-	10
3	1570/-	10
4	2370/-	10
6	3970/-	6
8	5470/-	4

HSN CODE: 82057000 All dimensions in inches



Code No. U 343  
**UNIQUE SELF CENTERING**  
SHAFT VISE  
(FITTED WITH BALL BEARINGS)  
**UNBREAKABLE BODY**

Jaw Width	Price ₹
80MM	31470/-
150MM	56970/-

HSN CODE: 84669390 All dimensions in inches



Code No. U 421  
**UNIQUE PRECISION SCREW**  
LESS VISE  
**TOOL STEEL BODY**

Jaw Width	Price ₹	Std. Packing
2	7700/-	2
3	9900/-	2
4	18040/-	2
5	31500/-	2
6	48400/-	2

HSN CODE: 84669390 All dimensions in inches



Code No. U 314  
**UNIQUE SELF**  
CENTERING VISE  
(FIXED BASE)

Jaw Width	Price ₹	Std. Packing
2	5320/-	4
3	6770/-	4
4	8450/-	3

HSN CODE: 84669390 All dimensions in inches



Code No. U 422  
**UNIQUE PRECISION GRINDING**  
VISE  
**TOOL STEEL BODY**

Jaw Width x Opening	Price ₹	Std. Packing
2-3/8 x 2-3/8	10350/-	2
3 x 3	15090/-	2
3 x 4	17000/-	2
4 x 4	20580/-	2
4 x 5	25000/-	2
5 x 6	42000/-	2
6 x 6	59900/-	2

HSN CODE: 84669390 All dimensions in inches



Code No. U 314 S  
**UNIQUE SELF**  
CENTERING VISE  
(SWIVEL BASE)

Jaw Width	Price ₹	Std. Packing
3	7490/-	2
4	10630/-	1
6	14260/-	1

HSN CODE: 84669390 All dimensions in inches



Code No. U 424  
**UNIQUE PRECISION SINE VISE**  
PIN TYPE  
**TOOL STEEL BODY**

Jaw Width	Price ₹	Std. Packing
3	33880/-	2
4	41980/-	2

HSN CODE: 84669390 All dimensions in inches



Code No. U 1314 S  
**UNIQUE PRECISION SELF**  
CENTERING VISE

Jaw Width	Price ₹	Std. Packing
4	12450/-	1
6	24300/-	1

HSN CODE: 84669390 All dimensions in inches



Code No. U 306 (FCD 60 BODY)  
**UNIQUE DRILL VISE**  
(HEAVY DUTY)  
**UNBREAKABLE BODY**

Jaw Width	Price ₹	Std. Packing
3	3200/-	6
4	4180/-	4
5	5840/-	3
6	7850/-	2
8	12870/-	1
12	33450/-	1

HSN CODE: 82057000 All dimensions in inches



Code No. U 307 P  
**UNIQUE PRECISION**  
**UNIGRIP VISE**  
**UNBREAKABLE BODY**

Jaw Width	Price ₹	Std. Packing
3	3510/-	6
4	4970/-	4
5	7480/-	2
6	8590/-	2

HSN CODE: 82057000 All dimensions in inches



Code No. U3306  
**UNIQUE DRILL MACHINE VISE**  
**UNBREAKABLE BODY**

Jaw Width	Price ₹	Std. Packing
2	1990/-	15
3	2800/-	8
4	3650/-	8
5	4980/-	4
6	6060/-	4
8	11770/-	2
10	19450/-	1
12	22700/-	1

HSN CODE: 82057000 All dimensions in inches



Code No. U 3307 P  
**UNIQUE 3 WAY PRECISION**  
**DRILL VISE**  
**WITH THREE MOUNTING OPTION**  
**UNBREAKABLE BODY**

Jaw Width	Price ₹	Std. Packing
3	4250/-	6
4	5970/-	4

HSN CODE: 82057000 All dimensions in inches



Code No. U 305  
**UNIQUE DRILL VISE**  
(COMMERCIAL)  
**UNBREAKABLE BODY**

Jaw Width	Price ₹	Std. Packing
3	2080/-	12
4	2910/-	8
5	4080/-	6
6	4930/-	6

HSN CODE: 82057000 All dimensions in inches



Code No. U 315  
**UNIQUE SUPER DRILL**  
**MACHINE VISE**

Jaw Width	Price ₹	Std. Packing
4	8280/-	1
6	15170/-	1
8	26670/-	1

HSN CODE: 82057000 All dimensions in inches



Code No. U 317  
**UNIQUE DRILL PRESS VISE**

Jaw Width	Price ₹	Std. Packing
3	3190/-	6
4	4570/-	4
6	8200/-	2

HSN CODE: 82057000 All dimensions in inches



Code No. U 307  
**UNIQUE UNIGRIP VISE**

Jaw Width	Price ₹	Std. Packing
3-1/4	3520/-	6
4	4540/-	4
6	7630/-	2

HSN CODE: 82057000 All dimensions in inches



Code No. U 347  
**UNIQUE DRILL MACHINE VISE**  
**UNBREAKABLE BODY**

Jaw Width	Price ₹	Std. Packing
3	3210/-	6
4	4390/-	4
5	6700/-	3

HSN CODE: 82057000 All dimensions in inches



Code No. U 328  
**UNIQUE DRILL VISE**  
(GERMAN TYPE)

Jaw Width	Price ₹	Std. Packing
3	4260/-	6
4	5920/-	4
5	10180/-	3

HSN CODE: 82057000 All dimensions in inches



Code No. U 324  
**UNIQUE PRECISION DRILL VISE**

Jaw Width	Price ₹	Std. Packing
2.1/2	3420/-	6
3	3820/-	6
4	5360/-	4
5	9190/-	3
6	13850/-	2

HSN CODE: 82057000 All dimensions in inches



Code No. U 3307  
**UNIQUE ARMATURE BEARING**  
**PULLER VISE**  
(HEAVY DUTY)

Jaw Width	Price ₹	Std. Packing
4	5920/-	4

HSN CODE: 82057000 All dimensions in inches



Code No. U 319  
**UNIQUE VERTICAL  
SLIDING TABLE**

Size	Price ₹	Std. Packing
7X10	22050/-	1

HSN CODE: 84669390 All dimensions in inches



Code No. U 322  
**UNIQUE COMPOUND SLIDING  
TABLE**  
(WITH CALIBRATED WHEELS &  
SWIVELS BASE)

Size	Price ₹	Std. Packing
4X4	11670/-	2
6X6	12730/-	1
8X8	15090/-	1
10X10	18980/-	1

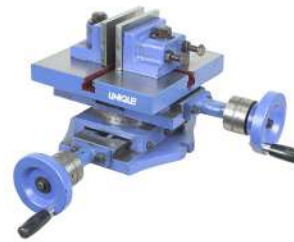
HSN CODE: 84669390 All dimensions in inches



Code No. U 318 N  
**UNIQUE SINGLE  
SLIDING TABLE**

Size	Price ₹	Std. Packing
6X6	7540/-	4
8X8	8840/-	3

HSN CODE: 84669390 All dimensions in inches



Code No. U 322 J  
**UNIQUE COMPOUND SLIDING  
TABLE**  
(WITH CALIBRATED WHEELS &  
SWIVELS BASE)

Size	Price ₹	Std. Packing
8X8	15850/-	1

HSN CODE: 84669390 All dimensions in inches



Code No. U 325 N  
**UNIQUE SINGLE  
SLIDING TABLE**  
(WITH CALIBRATED WHEELS)

Size	Price ₹	Std. Packing
6X6	7750/-	4
8X8	8920/-	3

HSN CODE: 84669390 All dimensions in inches



Code No. U 320  
**UNIQUE COMPOUND SLIDING TABLE**  
(WITH CALIBRATED  
WHEELS & SWIVEL BASE)

Size	Price ₹	Std. Packing
12X8	26260/-	1

HSN CODE: 84669390 All dimensions in inches



Code No. U 332  
**UNIQUE TILTING  
TABLE**

Size	Price ₹	Std. Packing
5X7	13880/-	1
7X10	19020/-	1
10X15	36900/-	1

HSN CODE: 84669390 All dimensions in inches



Code No. U 321  
**UNIQUE COMPOUND SLIDING  
TABLE**  
(WITH CALIBRATED  
WHEELS & SWIVEL BASE)

Size	Price ₹	Std. Packing
12X20	54820/-	1

HSN CODE: 84669390 All dimensions in inches



Code No. U 333  
**UNIQUE SWIVEL  
ANGLE TABLE**

Size	Price ₹	Std. Packing
5X6	10540/-	2
6X8	13060/-	2
8X10	20560/-	1
10X12	30310/-	1
12X15	49890/-	1

HSN CODE: 84669390 All dimensions in inches



Code No. U 321 C  
**UNIQUE COMPOUND SLIDING TABLE**  
(WITH CALIBRATED WHEELS &  
SWIVEL BASE)

Size	Price ₹	Std. Packing
12X12	29290/-	1
16X16	67570/-	1

HSN CODE: 84669390 All dimensions in inches



Code No. U 1332  
**UNIQUE PRECISION UNIVERSAL  
TILTING TABLE**

Size	Price ₹	Std. Packing
4X5	17150/-	2
6X8	29770/-	2
8X10	39060/-	1

HSN CODE: 84669390 All dimensions in inches

Code No. U 323

**UNIQUE UNIVERSAL  
COMPOUND VISE  
UNBREAKABLE BODY**



Size in mm	125
With of Jaws in mm	125
Depth of Jaws in mm	55
Opening of Jaws in mm	135
Overall Length in mm	440
Overall Height in mm	170
Overall Width in mm	420
Travel Bothways in mm	175X150
Weight Approx in Kgs.	19
<b>Price Each U 323</b>	<b>19070/-</b>

HSN CODE: 84669390 All dimensions in mm



Code No. U 334

**UNIQUE ROTARY MILLING  
TABLE HORIZONTAL  
(WITHOUT INDEXING DEVICE)**

Diameter	Price ₹	Std. Packing
6	14760/-	1
8	18270/-	1
10	24590/-	1
12	38230/-	1
15	63880/-	1
18	109700/-	1
20	117800/-	1

HSN CODE: 84669390 All dimensions in inches

Code No. U 376

**UNIQUE SELF CENTERING  
CORNER VISE**



Size in mm	100
With of Jaws in mm	100
Opening of Jaws in mm	100
<b>Price Each U 323</b>	<b>5335/-</b>

HSN CODE: 84669390 All dimensions in mm



Code No. U 336

**UNIQUE ROTARY MILLING TABLE  
HORIZONTAL  
(WITH INDEXING DEVICE)**

Diameter	Price ₹	Std. Packing
6	21920/-	1
8	25780/-	1
10	30990/-	1
12	47840/-	1
15	73070/-	1
18	121340/-	1
20	129100/-	1

HSN CODE: 84669390 All dimensions in inches

Code No. U 1335

**UNIQUE INDEXING MILLING  
FIXTURES  
HORIZONTAL & VERTICAL**



DESCRIPTION	PRICE
IMF 80/100/125 WITH CHUCKS & WITH TAIL STOCK	63110/-
IMF 80/100/125 WITH CHUCKS & WITHOUT TAIL STOCK	47520/-
IMF 160 WITH CHUCKS & WITH TAIL STOCK	83890/-
IMF 160 WITH CHUCKS & WITHOUT TAIL STOCK	63100/-
IMF 200 WITH CHUCKS & WITH TAIL STOCK	91320/-
IMF 200 WITH CHUCKS & WITHOUT TAIL STOCK	69780/-

HSN CODE: 84669390 All dimensions in mm



Code No. U 335

**UNIQUE ROTARY MILLING  
TABLE HORIZONTAL &  
VERTICAL SYSTEM  
(WITHOUT INDEXING DEVICE)**

Diameter	Price ₹	Std. Packing
4	10300/-	1
6	17000/-	1
8	21250/-	1
10	27320/-	1
12	44200/-	1
15	65000/-	1
18	117850/-	1
20	126200/-	1
24	150750/-	1

HSN CODE: 84669390 All dimensions in inches

Code No. U 1333

**UNIQUE TILTING INDEXING DEVICE**



SIZE IN MM	100
Diameter Chuck (in mm)	100
Length (in mm)	250
Width (in mm)	220
Height (in mm)	190
Swivel	360
Tilting	90
Slots Distance (in mm)	170
Weight (Approx) in Kgs.	16
<b>Price Each U1333</b>	<b>56700/-</b>

HSN CODE: 84669390 All dimensions in mm



Code No. U 337

**UNIQUE ROTARY MILLING  
TABLE HORIZONTAL & VERTICAL  
(WITH INDEXING DEVICE)**

Diameter	Price ₹	Std. Packing
4	13380/-	1
6	24150/-	1
8	28780/-	1
10	34840/-	1
12	53810/-	1
15	75400/-	1
18	128950/-	1
20	137530/-	1
24	162600/-	1

HSN CODE: 84669390 All dimensions in inches



Code No. U 353  
**UNIQUE PRECISION ROTARY MILLING TABLE HORIZONTAL & VERTICAL**

Diameter	Price ₹	Std. Packing
6	26320/-	1
8	32910/-	1

HSN CODE: 84669390 All dimensions in inches



Code No. U 339  
**UNIQUE WOOD WORKING VISE (HEAVY DUTY)**

Jaw Width	Price ₹	Std. Packing
6	4320/-	6
7	4770/-	6
8	6520/-	6
9	8640/-	6

HSN CODE: 82057000 All dimensions in inches



Code No. U 354  
**UNIQUE PRECISION TILTING ROTARY MILLING TABLE**

Diameter	Price ₹	Std. Packing
6	32310/-	1
8	54600/-	1

HSN CODE: 84669390 All dimensions in inches



Code No. U 339 QR  
**UNIQUE WOOD WORKING VISE (QUICK RELEASE)**

Jaw Width	Price ₹	Std. Packing
6	4860/-	6
7	7140/-	6
8	8100/-	6
9	10430/-	6

HSN CODE: 82057000 All dimensions in inches



Code No. U 351  
**DIVIDING HEAD (COMPLETE WITH GEAR SET)**

Size	Price ₹	Std. Packing
4-1/2	48700/-	1
5-1/2	62400/-	1
6-1/2	71900/-	1
7-1/2	89900/-	1

HSN CODE: 84669390 All dimensions in inches



Code No. U 302  
**UNIQUE BABY VISE**

Jaw Width	Price ₹	Std. Packing
1	360/-	12
1-1/2	410/-	12
2	490/-	12
2-1/2	530/-	12
3	630/-	12
4	820/-	12

HSN CODE: 82057000 All dimensions in inches



Code No. U 352  
**UNIQUE UNIVERSAL DIVIDING HEAD (FITTED WITH 200 MM TRU CHUCKS)**

Chuck Dia	Price ₹	Std. Packing
6	127000/-	1
8	135400/-	1

HSN CODE: 84669390 All dimensions in inches



Code No. U 302 N/NS  
**UNIQUE BABY VISE**

Jaw Width	Price ₹ Fixed Base	Price ₹ Swivel Base	Std. Packing
1-1/4	480/-	660/-	12
1-5/8	510/-	720/-	12
2	630/-	790/-	12
2-3/8	930/-	1250/-	12
3	1260/-	1550/-	12

HSN CODE: 82057000 All dimensions in inches



Code No. U 326 S  
**UNIQUE WOOD WORKER'S VISE (RECORD TYPE) (NEW MODEL)**

Jaw Width	Price ₹	Std. Packing
6	1990/-	8
7	2370/-	8
8	2860/-	8
9	3730/-	6
10	4640/-	4
12	6200/-	3

HSN CODE: 82057000 All dimensions in inches



Code No. U 307 D  
**UNIQUE BABY VISE WITH CLAMP DELUXE HEAVY DUTY**

Jaw Width	Price ₹ Fixed Base	Price ₹ Swivel Base	Std. Packing
1	520/-	680/-	12
1½	560/-	720/-	12
2	620/-	800/-	12
2½	830/-	1080/-	12
3	950/-	1220/-	12

HSN CODE: 84669390 All dimensions in inches



Code No. U 340  
**UNIQUE HAND VISE**  
(STEEL)

Size	Price ₹	Std. Packing
4	240/-	12
5	340/-	12
6	380/-	12
8	750/-	12

HSN CODE: 84669390 All dimensions in inches



Code No. U 405  
**UNIQUE SAFETY CHUCK KEY**  
(SUITABLE FOR ANY MAKE)

Size	Price ₹	Std. Packing
1/4	95/-	10
3/8	107/-	10
1/2, 5/8	142/-	10
3/4	214/-	10
1	555/-	10

HSN CODE: 84669390 All dimensions in inches



Code No. U 406 DF  
**UNIQUE BEARING PULLER**  
DROP FORGED

Size	Price ₹ 3 Leg	Price ₹ 2 Leg	Std. Packing
3	430/-	420/-	12
4	550/-	530/-	12
6	830/-	820/-	20
8	1130/-	1110/-	20
10	1510/-	1490/-	10
12	1800/-	1780/-	10

HSN CODE: 84669390 All dimensions in inches



Code No. U 408 DF  
**UNIQUE G CLAMP**  
DROP FORGED

Size	Price ₹	Std. Packing
2	369/-	10
3	488/-	10
4	725/-	10
6	1070/-	10
8	1580/-	10
10	3065/-	6
12	3670/-	6

HSN CODE: 84669390 All dimensions in inches



Code No. U 4406 DF  
**UNIQUE BEARING PULLER**  
3 LEG  
HEAVY BUSH & SPINDLE

Size	Price ₹	Std. Packing
3	520/-	10
4	660/-	10
6	1000/-	10
8	1350/-	10
10	1820/-	6
12	2170/-	6

HSN CODE: 84669390 All dimensions in inches



Code No. U 408  
**UNIQUE G CLAMP BAHCO TYPE**  
FINE THREAD

Size	Price ₹	Std. Packing
2	214/-	10
3	357/-	10
4	464/-	10
6	666/-	10
8	915/-	10
10	1188/-	6
12	1438/-	6
14	4586/-	4
16	5287/-	4
18	5928/-	4
20	7128/-	4
24	8542/-	4

HSN CODE: 84669390 All dimensions in inches



Code No. U 406  
**UNIQUE BEARING PULLER**  
HAND FORGED STEEL

Size	Price ₹ 3 Leg	Price ₹ 2 Leg	Std. Packing
14	2360/-	2170/-	4
16	2670/-	2470/-	4
18	3050/-	2830/-	2
20	3590/-	3310/-	2
24	4840/-	4630/-	2

HSN CODE: 84669390 All dimensions in inches



Code No. U 408 HD  
**UNIQUE HEAVY DUTY G CLAMP**  
TAPARIA TYPE

Size	Price ₹	Std. Packing
2	357/-	10
3	475/-	10
4	642/-	10
6	832/-	10
8	1022/-	10
10	1783/-	6
12	2150/-	6

HSN CODE: 84669390 All dimensions in inches

Code No. U 372

**UNIQUE HSS ADJUSTABLE HAND REAMER**



FOUR BLADES			
SYMBOLS	RANGE IN MM	RANGE IN INCHES	Price
HV	6.35-7.15	1/4-9/32	1390/-
HW	7.15-7.95	9/32-5/16	1390/-
HZ	7.95-8.7	5/16-11/32	1390/-
HY	8.7-9.5	11/32-3/8	1390/-

SIX BLADES			
SYMBOLS	RANGE IN MM	RANGE IN INCHES	Price
H1	9.5-10.25	3/8-13/32	1506/-
H2	10.25-11	13/32-7/16	1570/-
H3	11-12	7/16-15/32	1570/-
H4	12-13.5	15/32--17/32	1620/-
H5	13.5-15	17/32-19/32	1660/-
H6	15-16.75	19/32-21/32	1670/-
H7	16.75-18.25	21/32-23/32	1740/-
H8	18.25-19.75	23/32-25/32	1820/-
H9	19.75-21.5	25/32-27/32	2030/-
H10	21.5-24	27/32-15/16	2600/-
H11	24-27	15/16-1.1/16	3180/-
H12	27-30	1.1/16-1.3/16	3490/-
H13	30-34	1.3/16-1.11/32	3950/-
H14	34-38	1.11/32-1.1/2	4220/-
H15	38-46	1.1/2-1.13/16	6870/-
H16	46-56	1.13/16-2.7/32	11830/-
H17	56-70	2.7/32-2.3/4	15980/-
H18	70-85	2.3/4-11/32	20980/-
H19	85-100	3.11/32-4	31210/-
H4-H14-COMPLETE SET IN WOODEN BOX -----			29030/-
H4-H11-COMPLETE SET IN WOODEN BOX -----			17070/-

HSN CODE: 82057000



Code No. U 360

**UNIQUE T-BAR CLAMPS**

Available in :

1-1/2" X 1-1/2" TEE & 2" x 1" TEE

SIZE	Price 1-1/2"x1-1/2"	Price 2"x1"
2	2010/-	1210/-
2-1/2	2120/-	1240/-
3	2210/-	1260/-
3-1/2	2360/-	1330/-
4	2420/-	1410/-
4-1/2	2660/-	1490/-
5	2750/-	1590/-
5-1/2	2820/-	1670/-
6	2890/-	1750/-
7	3780/-	2300/-
8	4370/-	2660/-

HSN CODE: 82057000

All dimensions in Feet



CODE NO. U 12

**UNIQUE PRECISION STEEL PARALLELS**

Length	Width	Height	Price Each
150	20	10	3160/-
150	35	15	3430/-
200	45	20	5400/-
250	55	25	8200/-
300	60	30	11870/-
300	75	45	17950/-
450	75	45	23740/-

HSN CODE: 82057000

All dimensions in mm



CODE NO. U 115

**UNIQUE SINE PLATE WITH MAGNETIC CLAMP**

Size	Price Each	STD. Packing in Pcs.
6x4	52180/-	1
6x6	53450/-	1
8x6	54685/-	1

HSN CODE: 90318000

All dimensions in inches



CODE NO. U 121

**UNIQUE MAGNETIC ANGLE PLATE**

Size	Price Each	STD. Packing in Pcs.
150x180x95	59652/-	1
200x180x95	79550/-	1

HSN CODE: 90318000

All dimensions in mm

**PERMANENT MAGNETIC CHUCKS (RECTANGULAR) CLOSE POLES**

Code No. U 345



SIZE IN INCHES	NO.OF POLES	PRICE EACH	STD. PKG. IN PCS.	SIZE IN INCHES	NO.OF POLES	PRICE EACH	STD. PKG. IN PCS.
6 x 4	4	10630/-	1	18 x 8	14	40210/-	1
7 x 4	5	11040/-	1	20 x 8	15	49030/-	1
8 x 4	6	11980/-	1	20 x 10	15	55800/-	1
10 x 5	7	14950/-	1	24 x 8	18	63360/-	1
12 x 6	9	20030/-	1	24 x 10	18	80170/-	1
12 x 8	9	23910/-	1	24 x 12	18	89610/-	1
14 x 6	10	23790/-	1	30 x 8	23	136040/-	1
14 x 8	10	27580/-	1	30 x 10	23	141730/-	1
16 x 6	12	26800/-	1	30 x 12	23	157400/-	1
16 x 8	12	29080/-	1	36 x 12	28	172290/-	1
18 x 6	14	28720/-	1	39 x 12	30	214530/-	1

HSN CODE: 85059000

**PERMANENT MAGNETIC CHUCKS (ROUND) CLOSE POLES**

Code No. U 346F



SIZE IN INCHES	NO.OF POLES	PRICE EACH	STD. PKG. IN PCS.	SIZE IN INCHES	NO.OF POLES	PRICE EACH	STD. PKG. IN PCS.
4	3	10930/-	1	12	8	32540/-	1
5	4	14720/-	1	14	9	60890/-	1
6-1/2	4	15910/-	1	16	10	71970/-	1
8	5	17230/-	1	18	12	104090/-	1
10	6	23920/-	1				

HSN CODE: 85059000

**Code U 116: UNIQUE MAGNETIC BASE (EXPORT QUALITY)**



Code No.	Model	Magnetic Pull (in Kgs.)	PRICE EACH
U116-2	7010 ON/OFF Switch	30-35 Kg.	1840/-

HSN CODE: 85059000

**Code U 117: UNIQUE MAGNETIC VEE BLOCKS (EXPORT QUALITY)  
Hardened & Ground**



Code No.	Size of Vee Block LxWxH (MM)	Holding Capacity (in mm)	PRICE EACH PAIR (SOFT)	PRICE EACH PAIR (HARDENED)
U117-1	65x60x50	38	8350/-	17160/-
U117-2	80x65x60	48	10420/-	20600/-
U117-3	100x95x75	62	13700/-	25750/-
U117-4	150x95x75	65	21200/-	37380/-
U117-5	200x150x100	90	77500/-	127260/-

HSN CODE: 85059000

**Code U114 : UNIQUE DIAL COMPARATOR STANDS- FINE ADJUSTMENT**



Code No.	Description	(in Inches) Measuring Range	(in Inches) Fine Adjustment	Price Each
U114-1	6" x 5"	8	1/8	13440/-

HSN CODE: 90318000

Supplied Without Dial Gauge



**Code U114 : UNIQUE DIAL COMPARATOR STANDS- FINE ADJUSTMENT**

Code No.	Description	(in Inches) Measuring Range	(in Inches) Fine Adjustment	Price Each
U114-1	ROUND SERRATED	5	1/8	10340/-
U114-2	ROUND FLAT	5	1/8	9160/-
U114-3	SQUARE FLAT	5	1/8	9160/-
U114-4	SQUARE SERRATED	5	1/8	10340/-

HSN CODE: 90318000

Supplied Without Dial Gauge



**Code U 122: UNIQUE CAST IRON ANGLE PLATES PLAIN (PRECISION GROUND)**

Code No.	Size (in Inches)	Size (in mm)	Price Each
U122-4	4X4X4	100x100x100	2200/-
U122-5	5X5X5	125x125x125	3640/-
U122-6	6X6X6	150x150x150	5420/-
U122-8	8X8X8	200x200x200	8460/-
U122-10	10X10X10	250x250x250	16770/-

HSN CODE: 90318000

**UBB U123 : UNIQUE CAST IRON SLOTTED ANGLE PLATES - OPEN END (PRECISION GROUND)**



OPENEND

Code No.	Size (in Inches)	Size (in MM)	Price OPEN END
U123-3	4.1/2x3.1/2x3	115x90x75	2190/-
U123-4	6x5x4.1/2	150x125x115	3460/-
U123-5	7x5.1/2x4.1/2	175x140x115	4960/-
U123-6	8x6x5	200x150x125	5740/-
U123-7	9x7x6	225x175x150	9610/-
U123-8	10x8x6	250x200x150	11510/-
U123-9	12x9x8	300x225x200	15380/-
U123-12	12x12x12	300x300x300	27310/-

HSN CODE: 90318000

**UBB U123 : UNIQUE CAST IRON SLOTTED ANGLE PLATES - WEBBED END (PRECISION GROUND)**



WEBBEDEND

Code No.	Size (in Inches)	Size (in MM)	Price WEBBED END
U123-3	4.1/2x3.1/2x3	115x90x75	2540/-
U123-4	6x5x4.1/2	150x125x115	4170/-
U123-5	7x5.1/2x4.1/2	175x140x115	5940/-
U123-6	8x6x5	200x150x125	6900/-
U123-7	9x7x6	225x175x150	11550/-
U123-8	10x8x6	250x200x150	13840/-
U123-9	12x9x8	300x225x200	17620/-
U123-12	12x12x12	300x300x300	27670/-

HSN CODE: 90318000

**Code U119: UNIQUE STEEL V BLOCKS & CLAMPS (EXPORT QUALITY) Hardened and Ground**



Code No.	V Capacity	Price Each Pair
U119-1	40x30x30	3900/-
U119-2	50x37x37	4690/-
U119-3	63x48x48	6760/-
U119-4	80x60x60	7040/-
U119-5	100x75x75	17620/-

HSN CODE: 90318000

All dimensions in mm



## UVB 120: UNIQUE VEE BLOCKS (CAST IRON) (SUPPLIED IN MATCHED PAIR) WITH ONE CLAMP

Code No.	No.	Dimensions of Blocks LengthxWidthxHeight Inches	Dimensions of Blocks LengthxWidthxHeight mm	Clamping Capacity		Price Each PAIR
				Inches	mm	
U120-1	U 230	2x1.1/2x1.1/2	50x38x38	1.1/2	38	1790/-
U120-1	U230B	3x1.1/2x1.1/2	75x38x38	1.1/2	38	2240/-
U120-1	U 221A	3x2x2	75x50x50	2.1/2	63	2580/-
U120-1	U222	4x3x1.1/2	100x75x38	3.1/2	88	3230/-
U120-1	U222A	4x2.1/2x2.1/2	100x63x63	3.1/2	88	4780/-
U120-1	U222B	4x3x3	100x75x75	3.1/2	88	4840/-
U120-1	U223	5x3.1/2x3.1/4	125x88x44	4.1/4	108	5650/-
U120-1	U224	6x4x2	150x100x50	5	125	6340/-
U120-1	U224A	6x4x4	150x100x100	5	125	12300/-

HSN CODE: 90318000

CODE NO. U 31  
UNIQUE CLAMPING KIT  
34 Pcs.  
(With Metallic Box)



Code No.	Size	Price Each	Std. Pkg.
U 31-1	14-12MM	6660/-	2
U 31-2	16-12MM	6730/-	2
U 31-3	18-12MM	6820/-	2
U 31-4	18-16MM	8310/-	2

HSN CODE: 82057000

### 34 Pcs. CLAMPING KIT CONTAINS:

Code No.	T-Slot Nuts Code U23 4 Pcs.	Clamping Stud Code U30 4Pcs. Each	Flanged Nuts Code U21 4 Pcs.	Coupling Nuts Code U22 2 Pcs.	Strap Clamp Code U14 2 Pcs.	Height Plates Adjustable Code U10 2 Pcs.
U31-1	14-12 M	M12x80	M12	M12	12x100 12x125	2-50
U31-2	16-12 M	M12x100				2-100
U31-3	18-12 M	M12x160 M12x200				2-100
U31-4	18-16 M	M16x80 M16x100 M16x160 M16x200	M16	M16	16x1125 16x160	2-50 2-100

CODE NO. U 32  
UNIQUE CLAMPING KIT  
58 Pcs.  
(With Metallic Box)



Code No.	Size	Price Each	Std. Pkg.
U 32-1	14-12MM	11160/-	2
U 32-2	16-12MM	11270/-	2
U 32-3	18-12MM	11400/-	2
U 32-4	18-16MM	15340/-	2

HSN CODE: 82057000

### 58 Pcs. CLAMPING KIT CONTAINS:

Code	T-Slot Nuts Code U23 6 Pcs.	Clamping Stud Code U30 4Pcs. Each	Flanged Nuts Code U21 6 Pcs.	Coupling Nuts Code U22 4 Pcs.	Stepped Strap Clamp Code U15 2 Pcs. Each	Step Blocks Code U09 2 Pair (4 Pcs.) Each
U32-1	14-12 M	M12x63 M12x80	M12	M12	12x80 12x100 12x125	1 2 Pairs
U32-2	16-12 M	M12x100 M12x125				2 2 Pairs
U32-3	18-12 M	M12x160 M12x200				3 2 Pairs
U32-4	18-16 M	M16x63, M16x80 M16x100, M16x125 M16x160, M16x200	M16	M16	3 Pcs. Each 16x125 16x150	1 2 Pairs 2 2 Pairs 3 2 Pairs

CODE NO. U 18  
UNIQUE TAPPED  
END STRAP CLAMP  
WITH ADJUSTABLE  
SUPPORT



Suitable for T-Slot	HxWxL	Price Each
12	-	787/-
16	48x30x125	944/-
20	60x38x180	1755/-
24	73x36x200	2662/-

HSN CODE: 82057000

All dimensions in mm

CODE NO. U 18 A  
UNIQUE UNIVERSAL  
STRAP CLAMP



T-Slot Size	Clamping Range	Price Each
12	0-60	1283/-
14	0-60	1283/-
16	0-80	1658/-
18	0-80	1658/-
20	0-100	2481/-
22	0-100	2481/-
24	0-120	3412/-
28	0-120	3412/-

HSN CODE: 82057000

All dimensions in mm

CODE NO. U 19  
UNIQUE MOULD CLAMP  
WITH CLAMPING STUD &  
FLANGE NUT



HSN CODE: 82057000

Clamping Stud	Clamping Range	Clamp Size	Price Each
M12 - 100	0-35	110x50	1331/-
M16 - 125	0-40	135x60	1513/-
M20 - 175	0-50	160x70	2481/-
M24 - 200	0-60	180x80	3388/-

All dimensions in mm

CODE NO. U 19 A  
UNIQUE MOULD CLAMP  
WITH T-BOLT &  
FLANGE NUT



HSN CODE: 82057000

T-Slot Size	Clamping Range	Clamp Size	Price Each
M12	0-25	110x50	1331/-
M14	0-25	110x50	1331/-
M16	0-40	125x60	1634/-
M18	0-40	125x60	1634/-
M20	0-50	160x70	2602/-
M22	0-50	160x70	2602/-
M24	0-60	180x80	3751/-
M28	0-60	180x80	3751/-

All dimensions in mm

CODE NO. U09  
UNIQUE UNIVERSAL  
STEP BLOCK (PAIR)



HSN CODE: 82057000

Code No.	Height Maximum	Price Per Pair	Std. Pkg.
U09-1	53	552/-	10
U09-2	105	823/-	10
U09-3	208	1967/-	10

All dimensions in mm

CODE NO. U11  
UNIQUE SCREW  
JACK STEEL BODY  
(With Flat Support)

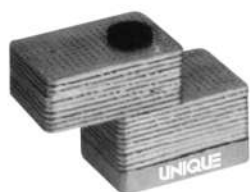


HSN CODE: 82057000

CODE NO.	RANGE	Price Each	Std. Pkg.
U11-1	40-50	1000/-	6
U11-2	50-70	1210/-	10
U11-3	70-100	1790/-	10
U11-4	100-140	2560/-	4
U11-5	140-210	5150/-	2
U11-6	190-300	8250/-	2

All dimensions in mm

CODE NO. U10  
UNIQUE SUPPORTING  
HEIGHT PLATES  
ADJUSTABLE



HSN CODE: 82057000

Code No.	Plate Thickness	Total Height	Price Each	Std. Pkg.
U10-1	2	25	585/-	10
U10-2	2	50	855/-	20
U10-3	2	75	1360/-	20
U10-4	2	100	1930/-	20
U10-5	2	125	2515/-	10
U10-6	2	150	3020/-	10
U10-7	4	25	740/-	20
U10-8	4	50	1073/-	10
U10-9	4	75	1695/-	10
U10-10	4	100	2414/-	10
U10-12	4	125	3144/-	10
U10-13	4	150	3772/-	10
U10-14	4	200	4140/-	10

All dimensions in mm

CODE NO. U 14  
UNIQUE STRAP  
CLAMP

DIN 6314  
IS:4292-1984



HSN CODE: 82057000

Code No.	Size	Suitable for Screw	Price Each	Std. Pkg.
U14-1	9x60	M8	220/-	6
U14-2	11x80	M10	355/-	10
U14-3	14x100	M12	506/-	10
U14-4	14x125	M12	590/-	10
U14-4A	14x125	M14	628/-	10
U14-5	18x125	M16	699/-	10
U14-6	18x160	M16	800/-	10
U14-7	22x160	M20	1323/-	4
U14-8	22x200	M20	1463/-	4
U14-9	26x200	M24	2110/-	4
U14-10	26x250	M24	2543/-	4
U14-11	30x250	M30	2984/-	2

All dimensions in mm

CODE NO. U 15  
UNIQUE SERRATED  
STRAP CLAMP



HSN CODE: 82057000

Code No.	Size	Suitable for Screw	Price Each	Std. Pkg.
U15-1	11x80	M10	397/-	10
U15-1A	14x80	M12	464/-	10
U15-2	14x100	M12	498/-	10
U15-3	14x125	M12	636/-	10
U15-4	18x125	M16	689/-	10
U15-5	18x160	M16	917/-	10
U15-6	22x160	M20	1244/-	4
U15-7	22x200	M20	1445/-	4
U15-8	26x200	M24	2191/-	4

All dimensions in mm

CODE NO. U 16  
UNIQUE U CLAMP  
IS 4293-1984  
DIN 6315-B Std.



HSN CODE: 82057000

Code No.	Size	Suitable for Screw	Price Each	Std. Pkg.
U16-1	14x160	M12	671/-	10
U16-2	18x200	M16	1155/-	10
U16-3	22x250	M20	2691/-	4
U16-4	26x250	M24	2763/-	4

All dimensions in mm

CODE NO. U17  
UNIQUE GOOSE NECK  
CLAMP  
(IS:4279-1975)



HSN CODE: 82057000

CODE NO.	SIZE	Suitable For Screw Size	Price Each	Std. Pkg.
U 17-1	14x125	M12	792/-	10
U 17-2	18x160	M16	1245/-	10
U 17-3	22x200	M20	2276/-	4
U 17-4	26x250	M24	3904/-	4

All dimensions in mm

CODE NO. U25  
UNIQUE PLAIN WASHER  
(DIN 6340)



HSN CODE: 82057000

Code No.	Suitable fo Screw	Price Each	Std. Pkg.
U 25-1	M8	25/-	50
U 25-2	M10	30/-	50
U 25-3	M12	52/-	50
U 25-3A	M14	60/-	50
U 25-4	M16	74/-	50
U 25-5	M20	90/-	50
U 25-6	M24	138/-	30
U 25-7	M30	245/-	20

CODE NO. U26  
UNIQUE SPHERICAL WASHER  
WITH CONICAL SEAT  
(DIN 6319C) IS: 4297-1996  
(DIN 6319D)



HSN CODE: 82057000

Code No.	Suitable fo Screw	Price Each	Std. Pkg.
U 26-1	M8	41/-	20
U 26-2	M10	45/-	30
U 26-3	M12	62/-	50
U 26-4	M16	87/-	50
U 26-5	M20	127/-	30
U 26-6	M24	202/-	30

CODE NO. U28  
UNIQUE C WASHER  
(DIN 6372) IS: 4291-1996



HSN CODE: 82057000

Code No.	Suitable fo Screw	Price Each	Std. Pkg.
U 28-1	M8	57/-	30
U 28-2	M10	78/-	30
U 28-3	M12	101/-	50
U 28-4	M16	177/-	50
U 28-5	M20	258/-	30
U 28-6	M24	399/-	30

CODE NO. U23  
UNIQUE T-SLOT NUT  
(DIN 508) IS: 2015-1977



HSN CODE: 82057000

Code No.	Suitable fo Screw	Price Each	Std. Pkg.
U 23-1	8xM6	33/-	50
U 23-2	10xM8	45/-	50
U 23-3	12xM10	56/-	50
U 23-3A	14xM10	63/-	50
U 23-4	14xM12	78/-	50
U 23-5	16xM12	98/-	50
U 23-6	18xM12	114/-	50
U 23-7	18xM16	130/-	50
U 23-8	20xM16	160/-	50
U 23-9	22xM16	200/-	30
U 23-10	22xM20	271/-	20
U 23-11	24xM20	323/-	10
U 23-12	28xM24	353/-	10

All dimensions in mm

CODE NO. U20  
UNIQUE HEX HI NUT  
(DIN 6330)



HSN CODE: 82057000

Code No.	Suitable For Screw Size	Price Each	Std. Pkg.
U 20-1	M8	20/-	50
U 20-2	M10	25/-	50
U 20-3	M12	35/-	50
U20-3A	M14	44/-	50
U 20-4	M16	60/-	50
U 20-5	M20	101/-	30
U 20-6	M24	168/-	20
U 20-7	M30	321/-	10

CODE NO. U21  
UNIQUE FLANGE NUT  
(IS 7795-1975)



HSN CODE: 82057000

Code No.	Suitable For Screw Size	Price Each	Std. Pkg.
U 21-1	M8	44/-	50
U 21-2	M10	56/-	50
U 21-3	M12	73/-	50
U 21-4	M16	118/-	50
U 21-5	M20	176/-	30
U 21-6	M24	232/-	30

CODE NO. U30  
UNIQUE CLAMPING STUD  
(IS 13178 : 1991)



HSN CODE: 82057000

T-Size	Thread	Length	Price Each	Std. Pkg.
U 30-0	M8	32	24/-	20
U 30-1	M8	40	25/-	20
U 30-2	M8	50	25/-	20
U 30-3	M8	63	34/-	20
U 30-4	M8	80	35/-	20
U 30-5	M8	100	38/-	20
U 30-6	M8	150	44/-	20
U 30-7	M10	50	32/-	20
U 30-7A	M10	63	36/-	20
U 30-8	M10	80	42/-	20
U 30-9	M10	100	47/-	20
U 30-10	M10	125	60/-	20
U 30-11	M10	160	73/-	20
U 30-12	M10	200	93/-	10
U 30-13	M12	50	37/-	30
U 30-14	M12	63	42/-	30
U 30-15	M12	80	47/-	30
U 30-16	M12	100	57/-	30
U 30-17	M12	125	74/-	30
U 30-18	M12	160	92/-	30
U 30-19	M12	200	119/-	30
U 30-20	M12	250	130/-	20
U 30-21	M12	315	202/-	10
U30-18A	M14	100	72/-	30
U30-19A	M14	150	114/-	30
U30-20A	M14	200	133/-	30
U30-21A	M14	250	159/-	30
U 30-22	M16	63	57/-	30
U 30-23	M16	80	66/-	30
U 30-24	M16	100	101/-	30
U 30-25	M16	125	116/-	30
U 30-26	M16	160	144/-	30
U 30-27	M16	200	189/-	30
U 30-28	M16	250	231/-	20
U 30-29	M16	315	285/-	10
U 30-31	M20	100	168/-	20
U 30-32	M20	125	190/-	20
U 30-33	M20	160	245/-	20
U 30-34	M20	200	273/-	20
U 30-35	M20	250	346/-	20
U 30-36	M20	315	423/-	10
U 30-37	M20	400	510/-	6
U 30-39	M20	500	652/-	6
U 30-40	M24	100	171/-	20
U 30-41	M24	125	245/-	20
U 30-42	M24	160	269/-	20
U 30-43	M24	200	348/-	20
U 30-44	M24	250	422/-	20
U 30-45	M24	315	563/-	10
U 30-46	M24	400	687/-	6
U 30-48	M24	500	870/-	6

All dimensions in mm

CODE NO. U29  
**UNIQUE T-BOLT**  
(IS 2014:1996)

HSN CODE: 82057000

Code No.	T-Size x Thread	Length	Price Each	Std. Pkg.
U 29-10	12mm x M12	50	91/-	50
U 29-11	12mm x M12	65	100/-	50
U 29-12	12mm x M12	80	104/-	50
U 29-13	12mm x M12	100	120/-	50
U 29-14	12mm x M12	125	130/-	50
U 29-15	12mm x M12	160	149/-	50
U 29-16	12mm x M12	200	168/-	30
U 29-17	12mm x M12	250	203/-	10

U 29-20	14mm x M12	80	126/-	50
U 29-21	14mm x M12	100	142/-	50
U 29-22	14mm x M12	125	158/-	50
U 29-23	14mm x M12	160	170/-	50
U 29-24	14mm x M12	200	199/-	30
U 29-25	14mm x M12	250	240/-	30

U 29-28	16mm x M16	80	155/-	50
U 29-29	16mm x M16	100	170/-	50
U 29-30	16mm x M16	125	194/-	50
U 29-31	16mm x M16	160	207/-	50
U 29-32	16mm x M16	200	268/-	30
U 29-33	16mm x M16	250	346/-	30
U 29-36	18mm x M16	80	158/-	50
U 29-37	18mm x M16	100	190/-	50
U 29-38	18mm x M16	125	199/-	50
U 29-39	18mm x M16	160	221/-	50
U 29-40	18mm x M16	200	278/-	20
U 29-41	18mm x M16	250	375/-	20
U 29-42	18mm x M16	320	435/-	10

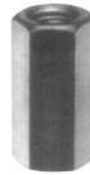
U 29-44	20mm x M20	100	232/-	20
U 29-46	20mm x M20	160	318/-	20
U 29-47	20mm x M20	200	337/-	20
U 29-51	22mm x M20	100	301/-	20
U 29-53	22mm x M20	160	406/-	20
U 29-54	22mm x M20	200	422/-	10
U 29-55	22mm x M20	250	492/-	6
U 29-56	22mm x M20	320	651/-	6

U 29-59	24mm x M24	160	464/-	6
U 29-60	24mm x M24	200	531/-	6
U 29-64	24mm x M28	100	488/-	6
U 29-66	24mm x M28	160	689/-	6
U 29-67	24mm x M28	200	839/-	6
U 29-68	24mm x M28	250	1094/-	6
U 29-69	24mm x M28	320	1168/-	6

All dimensions in mm

CODE NO. U22  
**UNIQUE EXTENSION NUT**

HSN CODE: 82057000



Code No.	Suitable For Screw Size	Price Each	Std. Pkg.
U22-0	M8	34/-	50
U 22-1	M10	40/-	50
U 22-2	M12	56/-	50
U 22-2A	M14	85/-	50
U 22-3	M16	109/-	50
U 22-4	M20	195/-	50
U 22-5	M24	331/-	30
U 22-6	M30	659/-	10

CODE NO. U30S  
**UNIQUE CLAMPING STUD WITH SLOT HAVING TAPPED HOLES** (Hardened & Tempered)

HSN CODE: 82057000



	T-Size x Thread	Length	Price Each	Std. Pkg.
U 30S-1	M12	100	97/-	20
U 30S-2	M12	125	116/-	20
U 30S-3	M12	150	127/-	20
U 30S-4	M12	175	139/-	20
U 30S-5	M16	125	156/-	20
U 30S-6	M16	150	176/-	20
U 30S-7	M16	175	210/-	20
U 30S-8	M16	200	226/-	20
U 30S-9	M20	125	187/-	10
U 30S-10	M20	150	243/-	10
U 30S-11	M20	175	285/-	10
U 30S-12	M20	200	310/-	10
U 30S-13	M24	150	320/-	10
U 30S-14	M24	175	377/-	10
U 30S-15	M24	200	423/-	10
U 30S-16	M24	225	452/-	10

All dimensions in mm

**TERMS & CONDITIONS**

- GST @ 18% will be charged extra on all prices.
- Prices are F.O.R Jalandhar.
- Order will be accepted for supply in standard carton packaging as mentioned in list.
- We are not responsible for any cash transactions and verbal commitments with our agents.
- Interest @ 24% p.a. shall be charged extra if not paid within 30 days.
- Subject to Jalandhar Jurisdiction only.

**NOTE :** We reserve the right to alter product designs and specifications without prior notice as part of ongoing development Initiatives.

# UNIQUE

---

## XTRA TUFF VICES

**UNIQUE INDUSTRIES (INDIA)**

AUTHORISED STOCKIST

