



CONTACT TYPE PLUG GAUGES

Contact Type Plug Gauges



CONTACT TYPE PLUG (CTP)



WITH A DIAL GAUGE



WITH AN ELECTRONIC PROBE

FEATURES

- The CTP gauges are manufactured to a high precision from tool steel
- As standard, all CTPs are Titanium coated (surface hardness 2200 HV)
- Repeatability on a standard 2 point CTP, \leq IT 8 is better than 0.001 mm
- All CTPs are supplied as standard with carbide measuring contacts
- In special case, we can deliver measuring contacts in Titanium Nitride coated or Diamond
- The practical design of the accessories make them universal for both CTPs and chamfer gauges
- For automatic measurement, we can deliver special accessories: centering holders, stands, fixtures, etc. are available



Contact Type Plug Gauge



MEASURING HEADS

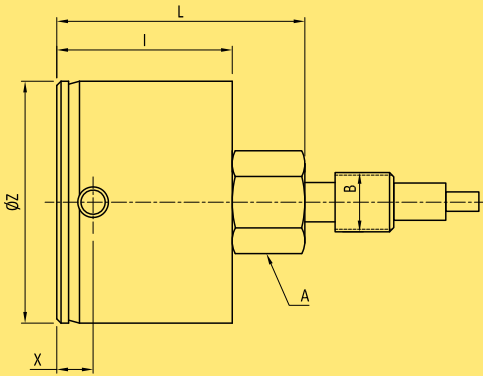
	Standard 2 - point -	NO
From: $\varnothing 6 - \varnothing 280\text{mm}$		
	True 3 - point -	3P
From: $\varnothing 15 - \varnothing 100\text{mm}$		
	Blind - bore -	SL
From: $\varnothing 10 - \varnothing 100\text{mm}$		
	Parallel - CTP	PA
From: $\varnothing 8 - \varnothing 100\text{mm}$		
	Undercut/Bearing race CTP	EM
From: $\varnothing 15\text{mm}$		
	Multi Bore CTP	ME
Supplied against quotation		
	External - diameter - CTP	AM
Supplied against quotation		
	Chamfer - gauge - CTP	FM
From: $\varnothing 1\text{mm}$, in 90° and 60°		
	Taper - CTP	KE
For inquiries and orders we need the following dimensions: Diam. D1/D2/L1 and the angle.		

Contact Type Plug Gauge



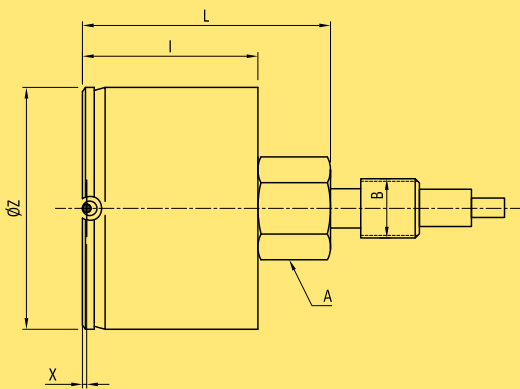
DATA SHEET (MEASURING HEADS)

THROUGH BORE MEASURING PLUGS



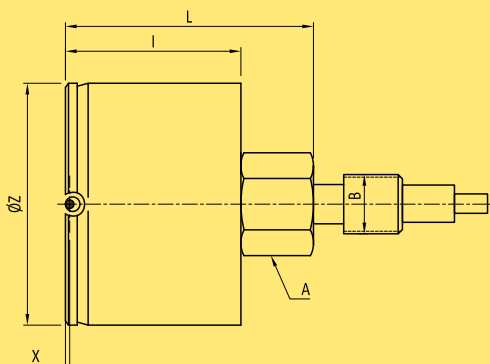
ϕZ	MEASURING RANGE	X	I	L	A	B
$\phi 6-\phi 20$	0.150 mm	5	27	35.5	SW7	M6x0.75
$\phi 15-\phi 40$	0.200 mm	6	29	41	SW13	M10x1
$\phi 40-\phi 50$	0.200 mm	6	29	41	SW17	M10x1
$\phi 50-\phi 100$	0.250 mm	7.5	33.5	42.5	SW22	M10x1
$\phi 100-\phi 280$	0.250 mm	10	36	45	SW22	M10x1

BLIND BORE MEASURING PLUGS



ϕZ	MEASURING RANGE	X	I	L	A	B
$\phi 6-\phi 20$	0.150 mm	1.6	23.5	32	SW7	M6x0.75
$\phi > \phi 15$	0.200 mm	2.5	25.5	37.5	SW13	M10x1

SUPER BLIND BORE MEASURING PLUGS



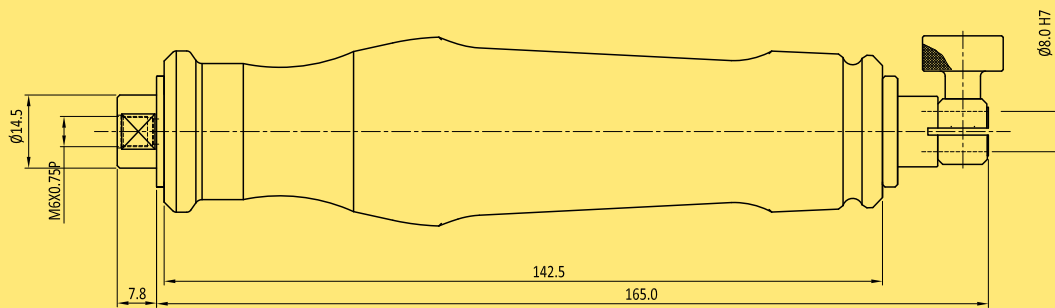
ϕZ	MEASURING RANGE	X	I	L	A	B	
$\phi 10-\phi 20$	0.150 mm	0.6	23.5	32	SW7	M6x0.75	
$\phi 15-\phi 40$	0.200 mm	1.2	25.5	37.5	SW13	M10x1	
$\phi 40-\phi 50$	0.200 mm	1.2	25.5	37.5	SW17	M10x1	
$\phi 50-\phi 100$	0.250 mm	1.2	33.5	42.5	SW22	M10x1	
$\phi > \phi 100$	0.250 mm	SUPPLIED AGAINST QUOTATION					

Contact Type Plug Gauge

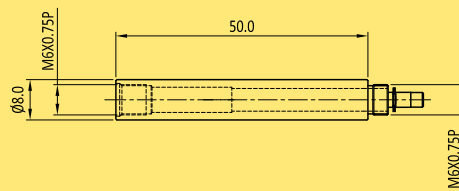


HOLDERS

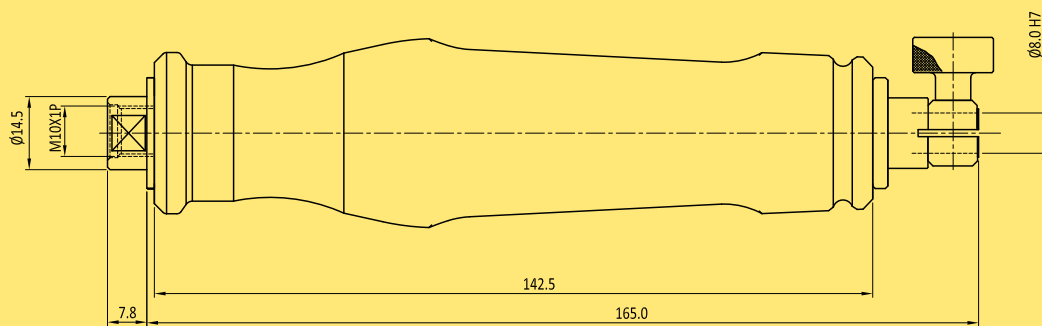
STANDARD HOLDER 6-20



EXTENSION 8-20 MM



STANDARD HOLDER 15-240 MM



EXTENSION 15-240 MM

