

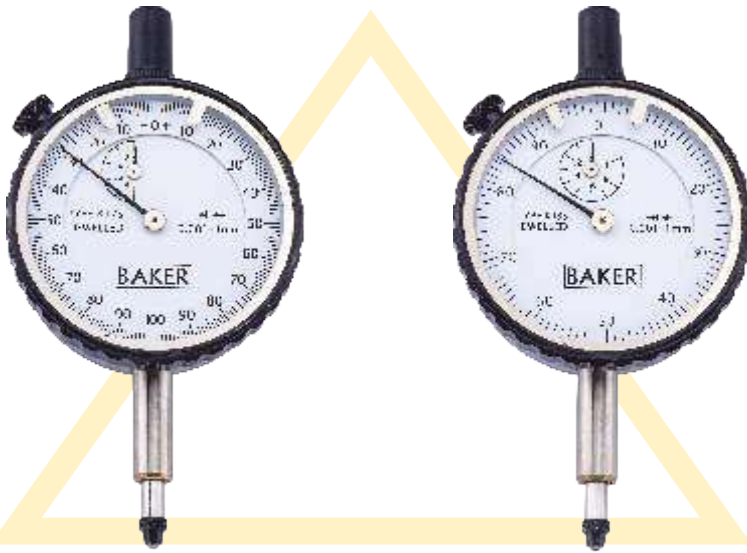


DIAL GAUGES

Plunger type

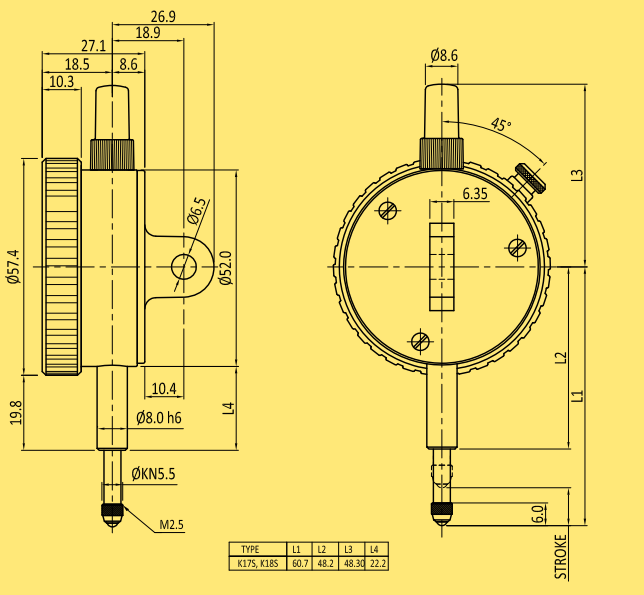


MODEL 56



K17S

K18S



METRIC

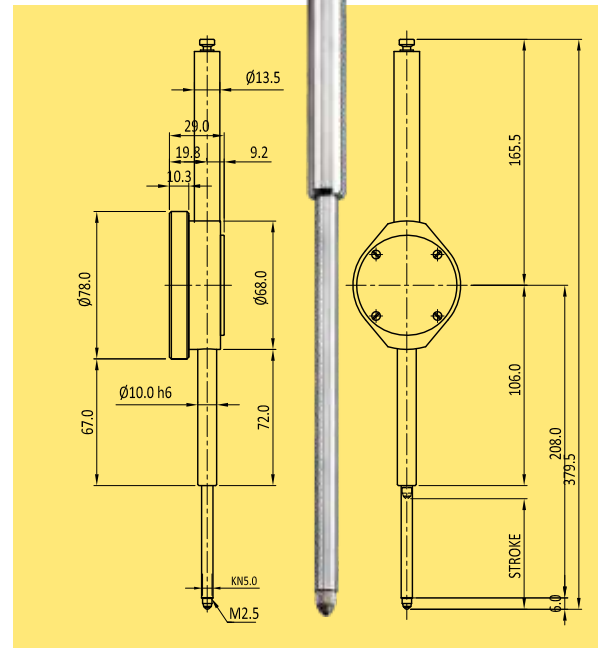
Bezel dia.	Type	Reading	Range	Graduation
56 mm	K17S	0.001 mm	1 mm	0-100-0
	K18S		1 mm	0-100

FEATURES

- Specifications JIS B-7503
- Dial gauge fitted with 8 jewels
- Every gauge carries a calibration certificate giving actual values
- Hardened stem for trouble free clamping
- Spindle made of stainless steel
- Fitted with tungsten carbide ball anvil
- Rigid brass case for increased rigidity
- Strong and smooth metal bezel.
- Supplied with tolerance pointers
- Aesthetically appealing protective top cap in black color
- Special dial Gauges for OEM's also manufactured on request
- Complete spares and after sales service available



K100



METRIC

Type	Reading	Range
K100	0.01 mm	0-100 mm

FEATURES

- Shock Proof Design
- Rigid construction for 100 mm travel.
- Clock Pointer for Better readability
- Bottom Stem \varnothing 10h6
- Big Bezel \varnothing 78 mm
- Every gauge carries a calibration certificate giving actual values
- Hardened stem for trouble free clamping
- Spindle made of stainless steel
- Fitted with tungsten carbide ball anvil Rigid brass case for increased rigidity
- Strong and smooth metal bezel.
- Supplied with tolerance pointers



Plunger type

MODEL 40



K40



K36



K40Z

AGD TYPE A GROUP 1 (1 5/8")



KB41

METRIC

Bezel dia.	Type	Reading	Range	Graduation
40mm	K39	0.01mm	5.0mm	0-50-0
	K40			0-100
	K36			0-50
	K40Z		0-40-0	
	K35		10mm	0-10

INCH

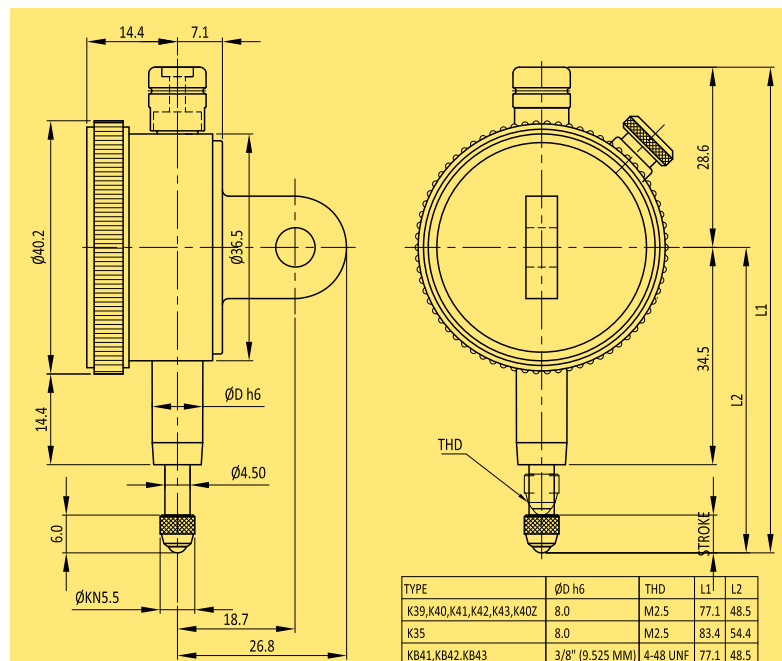
Bezel dia.	Type	Reading	Range	Graduation
40mm	K41	0.001"	0.25"	0-50-0
	K42			0-100
	K43			0-50

ANSI (AGD)

Bezel dia.	Type	Reading	Range	Graduation
1 5/8"	KB41	0.001"	0.25"	0-50-0
	KB42			0-100
	KB43			0-50

FEATURES

- Specification: IS, DIN, ANSI & JIS
- Small diameter dial – convenient for use where space is limited
- Ideal for small Bore Gauges like 10 to 18 mm
- Each gauge carries a calibration certificate giving actual values
- Spindle made of stainless steel
- Fitted with tungsten carbide ball anvil
- Rigid case for increased strength
- Strong and smooth metal bezel
- Supplied with tolerance pointers
- Aesthetically appealing protective top cap in black colour
- Inch Gauges confirm to ASME B89.1.10M
- Special dial Gauges for OEMs also manufactured on request
- Complete spares and after sales service available



Plunger type (inch)



AGD TYPE A GROUP 2 1/4"



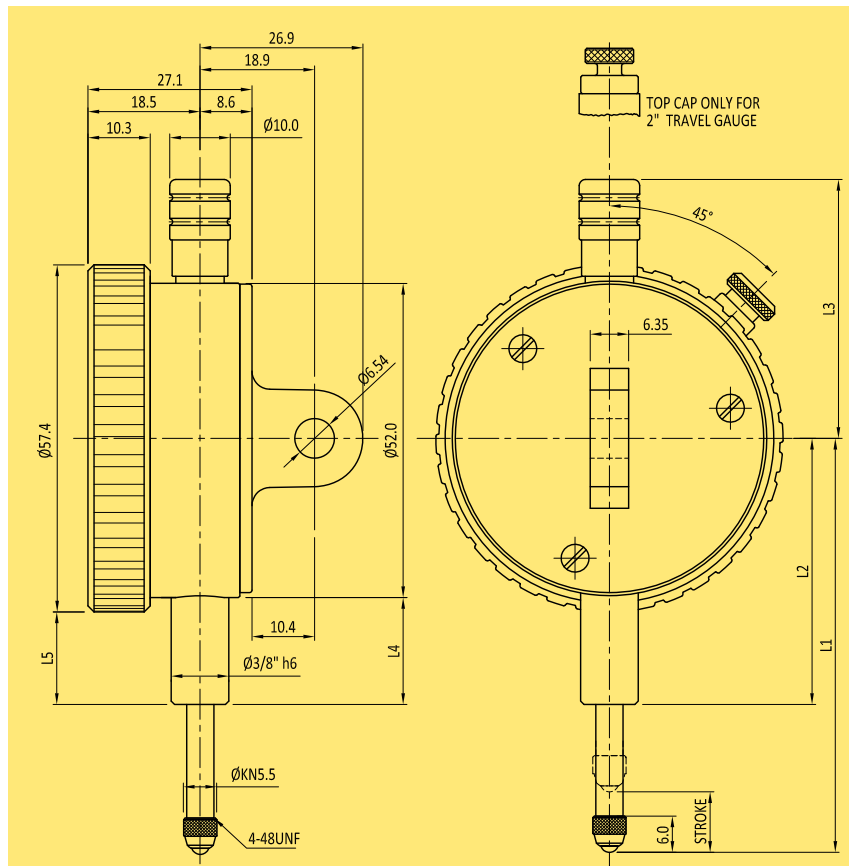
KB50

INCH

Bezel dia.	Type	Reading	Range	Graduation
2 1/4"	KB45	0.001 "	0.25"	0-50-0
	KB46			0-100
	KB51		0.5"	0-50-0
	KB52			0-100
	KB49			0-50-0
	KB50			0-100
	KB21	2.0"	0-100	
	KB55	0.0005"	0.25"	0-25-0
	KB56			0-50
	KB53		0.5"	0-25-0
	KB54			0-50
	KB57		1"	0-25-0
KB58	0-50			
2 1/4"	KB59	0.0001"	0.05"	0-50-0
	KB60			0-100
	KB61	0.2"	0-50-0	
	KB62		0-100	
	KB63		0-50-0	
	KB64	0.5"	0-100	

FEATURES

- Specification: ANSI
- Every gauge carries a calibration certificate giving actual values
- Hardened stem for trouble free clamping
- Spindle made of stainless steel
- Fitted with tungsten carbide ball anvil
- Rigid brass case for increased rigidity
- Strong and smooth metal bezel
- Supplied with tolerance pointers
- Aesthetically appealing protective top cap in black colour
- Inch Gauges conform to ASME B89.1.10M
- Special dial Gauges for OEMs also manufactured on request
- Complete spares and after sales service available



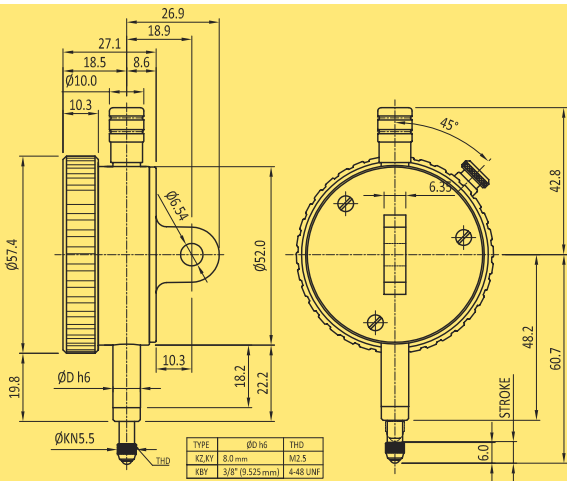
TYPE	L1	L2	L3	L4	L5
KB51,KB52,KB45,KB46,KB53,KB54,KB55,KB56,KB63,KB64	68.5	44.0	42.8	18	15.3
KB59,KB60,KB61,KB62	60.7	44.0	42.8	18	15.3
KB49,KB50,KB57,KB58	80.9	44.0	42.8	18	15.3
KB21	131.0	71.0	136	45.1	42.3

Plunger type

MODEL 56 | ONE REVOLUTION



KZ



METRIC

Bezel dia.	Type	Reading	Range	Graduation
56mm	KZ	0.01mm	0.8 mm	40-0-40

INCH

Bezel dia.	Type	Reading	Range	Graduation
56mm	KY	0.001 "	0.08 "	40-0-40

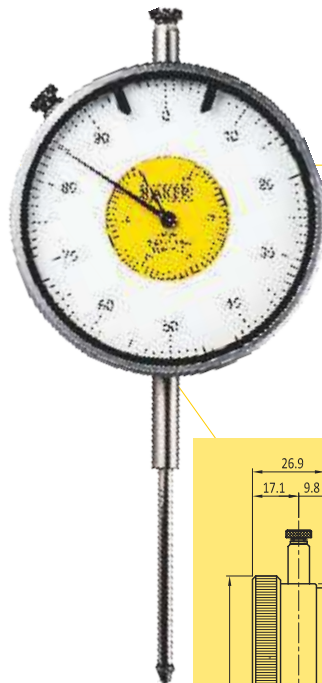
ANSI (AGD)

Bezel dia.	Type	Reading	Range	Graduation
2 1/4"	KBY	0.001 "	0.08 "	40-0-40

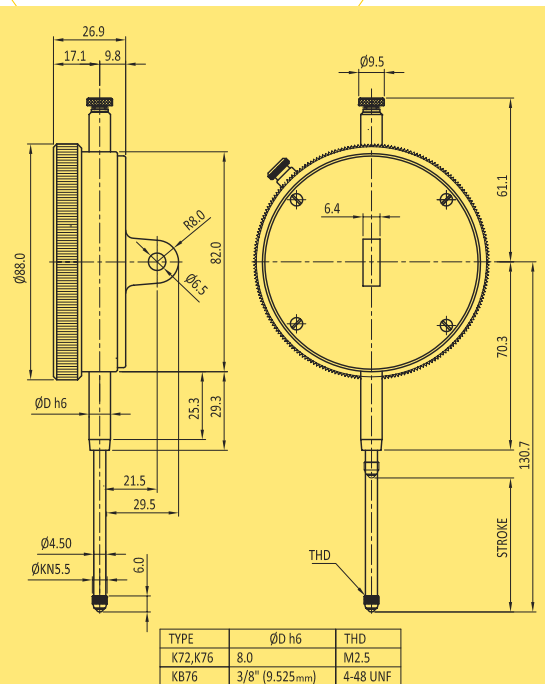
FEATURES

- Specification: IS, DIN, ANSI & JIS
- The one revolution dial gauge eliminates reading errors due to multiple revolutions
- Shock proof mechanism to absorb shock due to sudden spindle impact
- Every gauge carries a calibration certificate giving actual values
- Hardened stem for trouble free clamping
- Spindle made of stainless steel
- Fitted with tungsten carbide ball anvil
- Rigid brass case for increased rigidity
- Strong and smooth metal bezel
- Supplied with tolerance pointers
- Aesthetically appealing protective top cap in black colour
- Special dial Gauges for OEMs also manufactured on request

MODEL 88



K72



METRIC

Bezel dia.	Type	Reading	Range	Graduation
88mm	K72	0.01 mm	50.0mm	0-100

INCH

Bezel dia.	Type	Reading	Range	Graduation
88mm	K76	0.001 "	2.0 "	0-100

ANSI (AGD)

Bezel dia.	Type	Reading	Range	Graduation
3 7/16"	KB76	0.001 "	2.0 "	0-100



Digital Plunger type

WATERPROOF-IP67



W1



W2



W3

WATERPROOF-IP65

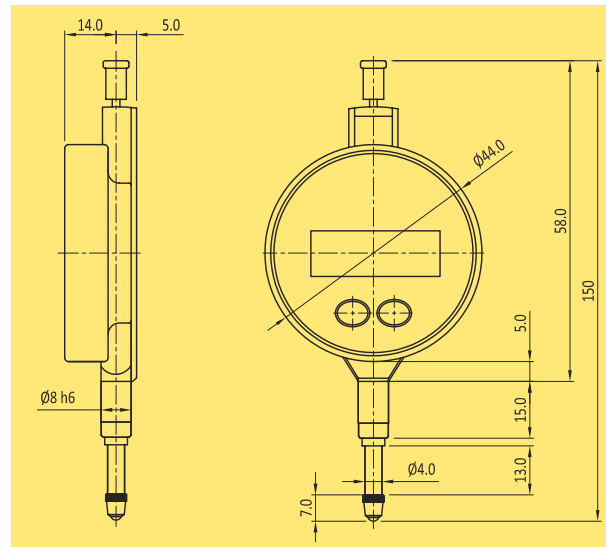
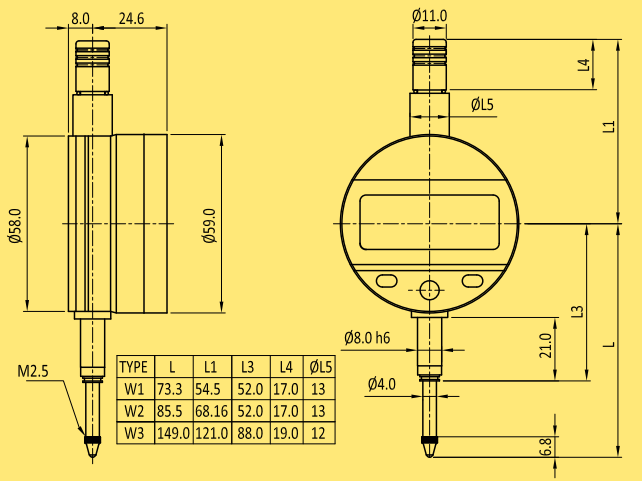


MD001



TYPE	W1/W1A	W2/W2A	W3/W3A
Reading	0.001 mm 0.00005 Inch	0.001 mm 0.00005 Inch	0.001 mm 0.00005 Inch
Range	0 – 12.5 mm 0 – 0.5 Inch	0 – 25 mm 0 – 1 Inch	0 – 50 mm 0 – 2 Inches
Accuracy	0.003 mm	0.004 mm	0.005 mm
Repeatability	± 0.002 mm 0.0001 Inch (± 2s)	± 0.002 mm 0.0001 Inch (± 2s)	± 0.002 mm 0.0001 Inch (± 2s)
Measuring Force	0.65 – 0.9 N	0.65 – 1.15 N	1.1 – 2.6 N
Weight	90 g	94 g	168 g

Type	Reading	Range
MD001	0.001 mm / 0.00005 in.	0-12.5 mm (0-0.5 in.)



FEATURES W1A, W2A, W3A

- Rotating display (270 degrees) with extra large digits for excellent visibility
- Accurate Inductive measuring system
- Inch / Metric capability
- Robust Construction
- New technology with configurable menus.
- Broad Choice of Menus (MIN / MAX / DELTA, TOL, Factor, PRESET, AUTO OFF etc.)
- Automatic wake-up and sleep mode
- RS232 data output
- Hardened and ground stainless steel plunger and stem
- GAUGE can be set to 0.01 mm / 0.0005 Inch, besides the standard 0.001 mm / 0.00005 Inch
- Each GAUGE carries a calibration certificate giving actual values
- W1, W2 & W3 Digital Dial Gauges with integrated Bluetooth® Wireless technology - AVAILABLE ON REQUEST**

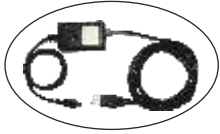
FEATURES

- Accurate Inductive measuring system
- Inch / Metric capability
- RS232 output
- Hardened and ground stainless steel plunger and stem
- GAUGE can be set to 0.01 mm / 0.0005 Inch, besides the standard 0.001 mm / 0.00005 Inch
- The Electronic Module is completely sealed against dust and water / coolants / lubricating oils directed towards it from all sides (IP 65)
- Each GAUGE carries a calibration certificate giving actual values
- Measuring force 0.5-0.9 N
- Accuracy 0.005 mm / 0.0002 in
- Repeatability ± 0.002 mm / 0.0001 in (± 2s)

Digital Plunger type



VALUE LINE



V1P



V2



V3

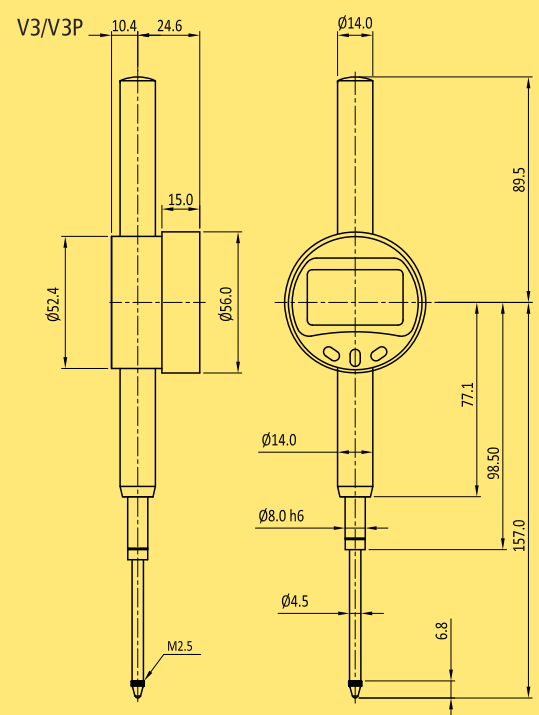
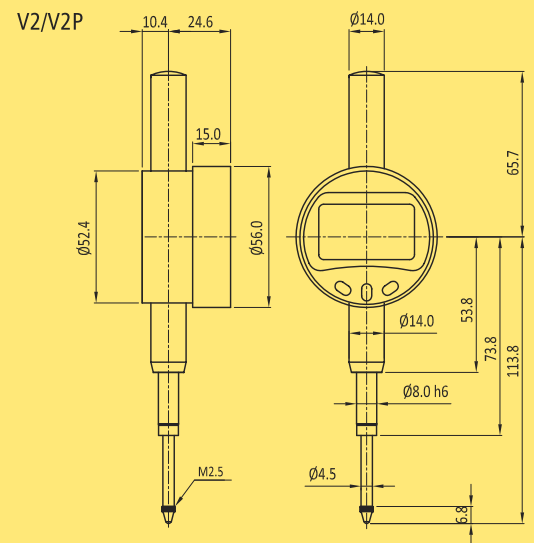
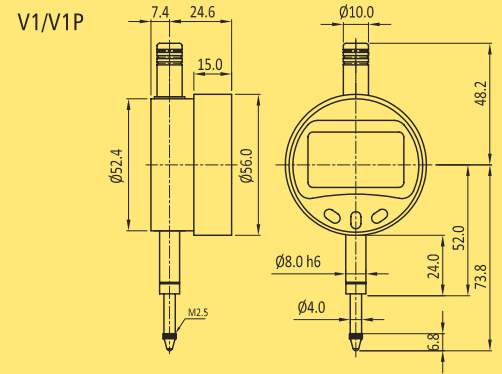
TYPE	V1	V2	V3	V1P	V2P	V3P
Reading	0.01 mm 0.0005 Inch	0.01 mm 0.0005 Inch	0.01 mm 0.0005 Inch	0.001 mm 0.00005 Inch	0.001 mm 0.00005 Inch	0.001 mm 0.00005 Inch
Range	0 - 12.5 mm 0 - 0.5 Inch	0 - 25 mm 0 - 1 Inch	0 - 50mm 0 - 2 Inch	0 - 12.5 mm 0 - 0.5 Inch	0 - 25 mm 0 - 1 Inch	0 - 50 mm 0 - 2 Inch
Accuracy	0.02 mm	0.02 mm	0.02 mm	0.006 mm	0.007 mm	0.008 mm
Repeatability	± 0.01 mm	± 0.01 mm	± 0.01 mm	± 0.002 mm	± 0.002 mm	± 0.002 mm
Measuring Force	< 1 N	< 1.5 N	< 2 N	< 1 N	< 1.5 N	< 2 N
Weight	110 g	120 g	160 g	110 g	120 g	160 g

FEATURES

- Strong construction
- Large Digits for better viewing
- Display Resolution 0.001 mm & 0.00005 Inch
- Zero setting
- With Calibration certificate
- Data output

Useful functions :

- mm / Inch
- Preset Reference
- Manual / Auto power off



Lever type Long Stylus



MODEL 29/38 | LONG STYLUS



302L

AGD TYPE | LONG STYLUS C (1⁵/₃₃"



B301L

METRIC

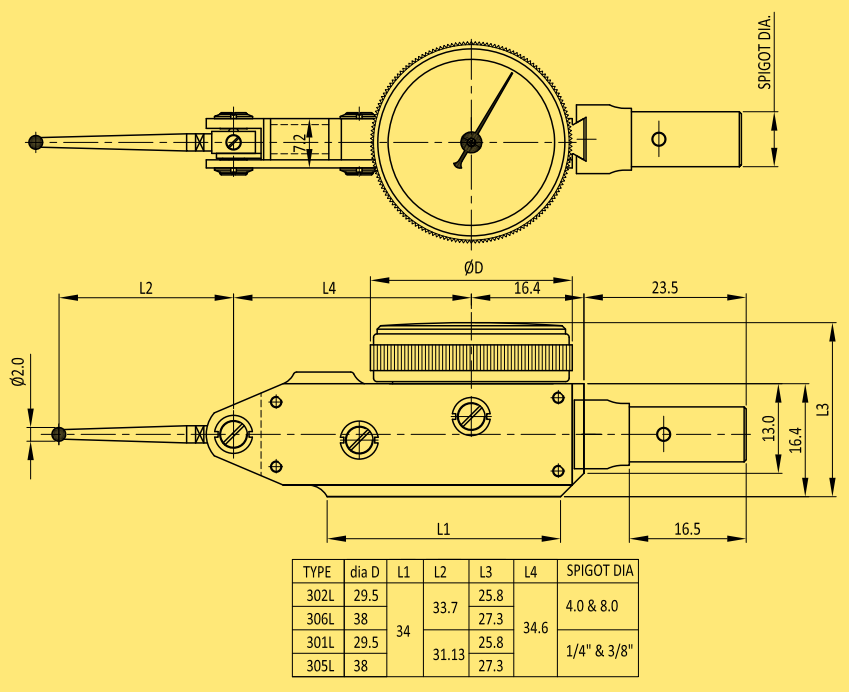
Bezel dia.	Type	Reading	Range	Graduation
29 mm	302L	0.01mm	0.8mm	0-40-0
	302AL			
38 mm	306L			
	306AL			

INCH

Bezel dia.	Type	Reading	Range	Graduation
29 mm	301L	0.0005"	0.03"	0-15-0
	301AL			
38 mm	305L			
	305AL			

ANSI (AGD)

Bezel dia.	Type	Reading	Range	Graduation
1 ⁵ / ₃₃ "	B301L	0.0005"	0.03"	0-15-0
	B301AL			
1 1/2"	B305L			
	B305AL			



FEATURES

- Every gauge carries a calibration certificate giving actual values
- Auto reversal mechanism
- Fitted with jewels and Swiss miniature ball bearings for smoother operation
- Rigid brass body for increased rigidity
- Robust and highly sensitive gauge suitable for workshop use
- Metric Gauges confirm to IS 11498 and for the European market to DIN 2270
- Inch Gauges confirm to ASME B89.1.10M
- Special dial Gauges for OEMs also manufactured on request
- Complete spares and after sales service available
- Integral dovetail offers flexibility and rigidity for mounting of the gauge
- Metric gauges are supplied with Ø2 & Ø1 mm tungsten carbide ball stylus and Ø8 & Ø4 mm spigot assembly as standard supply
- No additional accessories are offered when suffix A is added to the type number

Back Plunger type

MODEL 38

AGD TYPE B (1 1/2")



F02



A51

METRIC

Bezel dia.	Type	Reading	Range	Graduation
38mm	F01	0.01mm	2 mm	0-50-0
	F02			0-100

INCH

Bezel dia.	Type	Reading	Range	Graduation
38mm	F51	0.001"	0.1"	0-50-0
	F52			0-100

ANSI (AGD)

Bezel dia.	Type	Reading	Range	Graduation
1 1/2"	A51	0.001"	0.1"	0-50-0
	A52			0-100

FEATURES

- An unique face reading dial gauge with sensing plunger at right angles to the dial
- Every gauge carries a calibration certificate giving actual values
- Spindle made of stainless steel
- Fitted with tungsten carbide ball anvil
- Rigid brass case for increased rigidity
- Strong and smooth metal bezel
- Suitable for mounting on machine tables, jigs and fixtures
- Used in small places where standard dial gauges are difficult to be accommodated
- Inch Gauges confirm to ASME B89.1.10M
- Special dial Gauges for OEMs also manufactured on request
- Complete spares and after sales service available

