

CALIPERS

Vernier Caliper

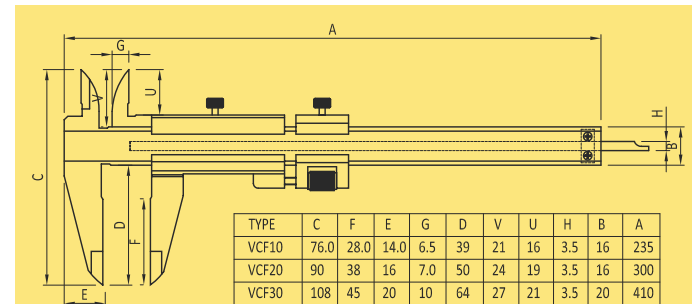
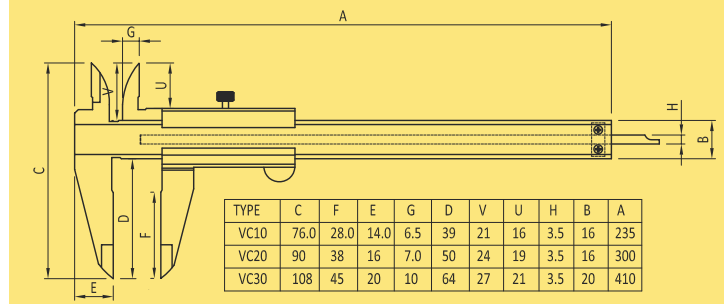
VC SERIES



VC30



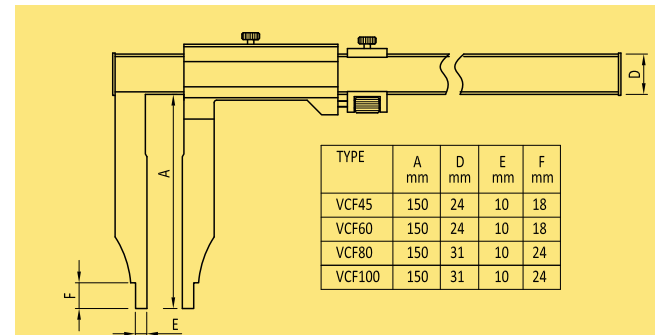
VCF20



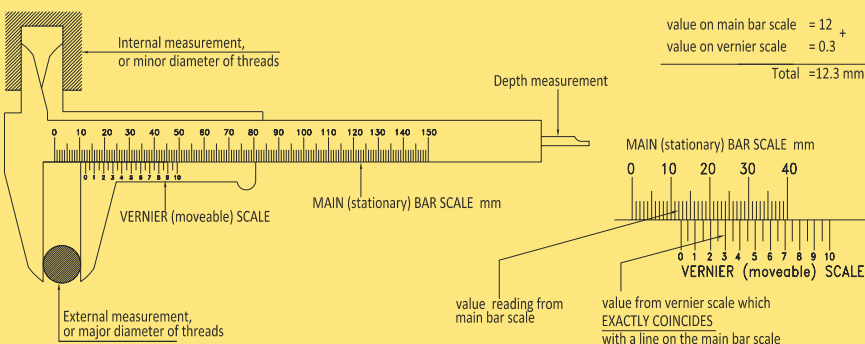
FEATURES

- Every gauge carries a calibration certificate giving actual values
- With 0.02 mm / 0.001" Least Count
- Measures OD, ID, Step and Depth
- MPE as per DIN EN ISO 13385-1
- Robust, Hardened and Ground stainless steel jaws and beam
- Supplied in a sleek plastic box

Type	Reading	Range	
VC10	0.02 mm / 0.001 "	0-150 mm / 0-6 "	WITHOUT FINE ADJUSTMENT
VC20		0-200 mm / 0-8 "	
VC30		0-300 mm / 0-12 "	
VCF10	0.02 mm / 0.001 "	0-130 mm / 0-5 "	WITH FINE ADJUSTMENT
VCF20		0-180 mm / 0-7 "	
VCF30		0-280 mm / 0-11 "	
VCF45	0.02 mm / 0.001"	0-430 mm / 0-17"	WITH FINE ADJUSTMENT
VCF60	0.02 mm / 0.001"	0-580 mm / 0-23"	
VCF80	0.02 mm / 0.001"	0-780 mm / 0-31"	
VCF100	0.02 mm / 0.001"	0-980 mm / 0-39"	
VCF150	0.02 mm / 0.001"	0-1500 mm / 0-60"	
VCF200	0.02 mm / 0.001"	0-2000 mm / 0-80"	



HOW TO READ A VERNIER CALIPER ?



- Read the value of the main (stationary) scale which is just to the left & above the "0" zero reading on the vernier (movable) scale
- Then add the value on the vernier (movable) scale which exactly coincides with a line on the main (stationary) scale

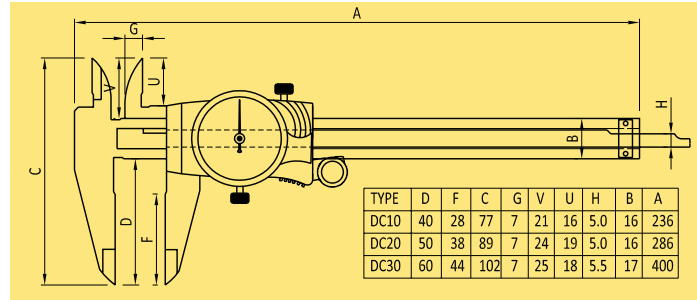
Dial & Digital Caliper



DC SERIES



DC10

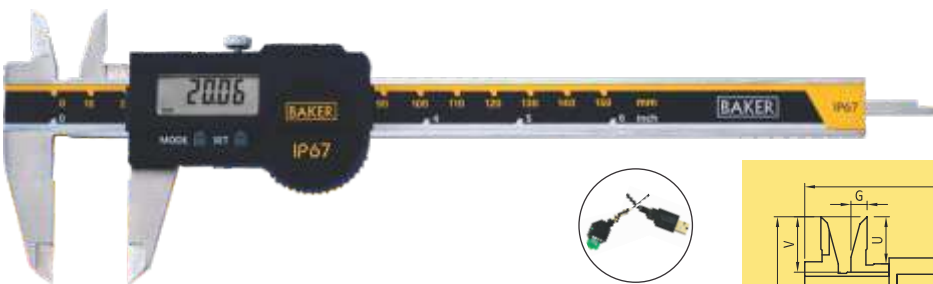


FEATURES

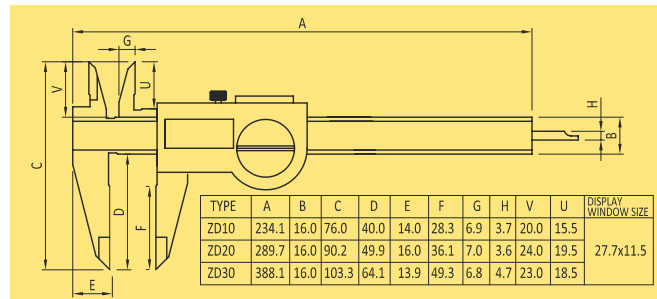
- Every gauge carries a calibration certificate giving actual values
- Checks OD, ID, step and depth
- Robust, hardened and ground stainless steel jaws and beam
- With 0.02 mm Least Count
- MPE as per DIN EN ISO 13385-1
- Clear, easy to read graduated dial with adjustable bezel
- Shock Proof movement
- Supplied in a sleek plastic box

Type	Reading	Range
DC10	0.020 mm	0-150 mm
DC20	0.020 mm	0-200 mm
DC30	0.020 mm	0-300 mm

IP67 WATER PROOF ZD SERIES



ZD10



FEATURES

- Every gauge carries a calibration certificate giving actual values
- Highest degree of protection to a hand-held instrument of its type, IP67 (according to IEC 60529)
- Immunity to penetration of liquids or dust
- Reliability and Accuracy of measuring tool is assured even in the most hostile workshop environment
- High contrast Liquid Crystal Display
- Ergonomic beam design increases comfort; reduces fatigue
- Latest Smart Inductive System (S.I.S)
- Automatic stand-by mode
- Origin securely saved even in stand-by mode
- Auto switch-on by motion of slider
- New, Proximity type contactless RS232 data output allows user to store and analyze measurement data in PC or any other digital data storage apparatus
- MPE as per DIN EN ISO 13385-1
- Power supply 1 Lithium battery, type CR2032, 3V, 220 mAh
- Working temperature 5 to 40 °C

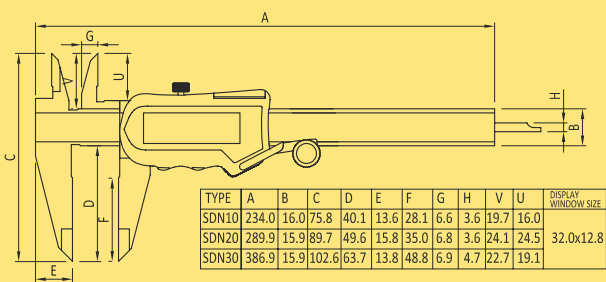
Type	Reading	Range	Weight
ZD10	0.01 mm / 0.0005"	0-150 mm / 0-6"	170 g
ZD20		0-200 mm / 0-8"	195 g
ZD30		0-300 mm / 0-12"	235 g

Digital Caliper

SDN SERIES



SDN10



TYPE	A	B	C	D	E	F	G	H	V	U	DISPLAY WINDOW SIZE
SDN10	234.0	16.0	75.8	40.1	13.6	28.1	6.6	3.6	19.7	16.0	
SDN20	289.9	15.9	89.7	49.6	15.8	35.0	6.8	3.6	24.1	24.5	32.0x12.8
SDN30	386.9	15.9	102.6	63.7	13.8	48.8	6.9	4.7	22.7	19.1	

Type	Reading	Range	Weight
SDN10	0.01mm / 0.0005"	0 - 150mm / 0 - 6"	145 g
SDN20		0 - 200mm / 0 - 8"	170 g
SDN30		0 - 300mm / 0 - 12"	210 g

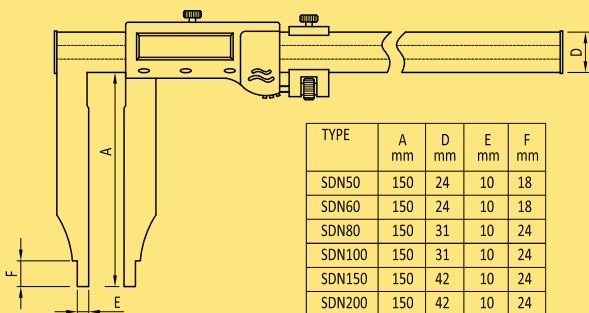
FEATURES

- Every gauge carries a calibration certificate giving actual values
- Robust, Hardened and Ground stainless steel jaws and beam
- MPE as per DIN EN ISO 13385-1
- Attractive shape and elegant design complimented by uncompromising performance
- 9.6 mm tall, high contrast Liquid Crystal Display significantly augments visibility and minimizes user fatigue
- All three ranges of calipers are fitted with thumb-roller to improve quality of measurement
- Latest Smart Inductive System (S.I.S)
- Easy and quick operation (user friendly)
- Battery changeover is fast, easy and reliable
- All three varieties of digital calipers are capable of External, Internal, Step and Depth measurement
- Display refresh rate greater than 7 / sec
- Power supply 1 Lithium battery, type CR2032, 3V, 220 mAh
- Working temperature 5 to 40 °C
- Max. slider speed 1.5 m/s

LARGE SDN SERIES



SDN80



TYPE	A mm	D mm	E mm	F mm
SDN50	150	24	10	18
SDN60	150	24	10	18
SDN80	150	31	10	24
SDN100	150	31	10	24
SDN150	150	42	10	24
SDN200	150	42	10	24

FEATURES

- Every gauge carries a calibration certificate giving actual values
- Degree of protection IP66 (according to IEC 60529)
- High contrast Liquid Crystal Display
- Ergonomic beam design increases comfort; reduces fatigue
- Fine adjustment with the lock provided for ease of setting
- Auto switch-OFF
- MPE as per DIN EN ISO 13385-1
- Easy and quick operation (user friendly)
- Battery changeover is fast, easy and reliable
- Power supply 1 Lithium battery, type CR2032, 3V, 220 mAh
- Working temperature 5 to 40 °C

Type	Reading	Range
SDN50	0.01 mm/0.0005"	0 - 500 mm / 0 - 20"
SDN60		0 - 600 mm / 0 - 24"
SDN80		0 - 800 mm / 0 - 32"
SDN100		0 - 1000 mm / 0 - 40"
SDN150		0 - 1500 mm / 0 - 60"
SDN200		0 - 2000 mm / 0 - 80"

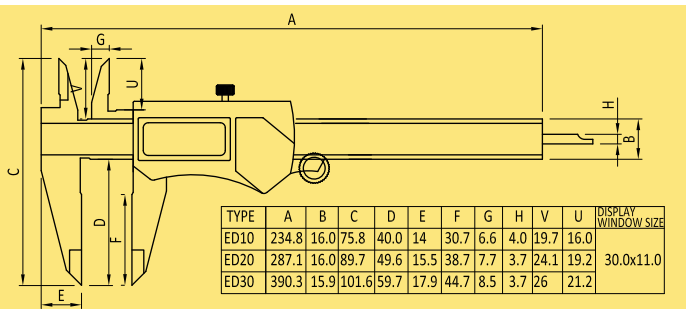
Digital Caliper



ED SERIES



ED 10



Type	Reading	Range	Weight
ED10	0.01mm / 0.0005"	0 - 150mm / 0 - 6"	165 g
ED20		0 - 200mm / 0 - 8"	187 g
ED30		0 - 300mm / 0 - 12"	273 g

FEATURES

- Large Liquid Crystal Display for good visibility.
- Digital Calipers ED 10, ED 20 & ED 30 have measuring ranges : 0-150 mm / 0- 6", 0-200 mm / 0- 8", 0-300 mm / 0-12" respectively.
- Inch/ mm measurement.
- Least Count : 0.01mm /0.0005".
- Robust, hardened and ground stainless steel jaws and beam
- All three calipers are capable of External, Internal, Step and Depth measurement.
- Easy operation
- All three calipers are fitted with thumb-roller to improve quality of measurement.
- Easy operation
- Powered by 1 Lithium cell, type CR2032, 3 Vdc, 220 mAh.
- Battery replacement is fast and reliable.
- Manual and Auto power off facility.
- Working temperature 5°C to 40°C
- MPE as per DIN EN ISO 13385-1
- Every caliper carries a calibration certificate giving actual values

Digital Depth Caliper

DDC SERIES

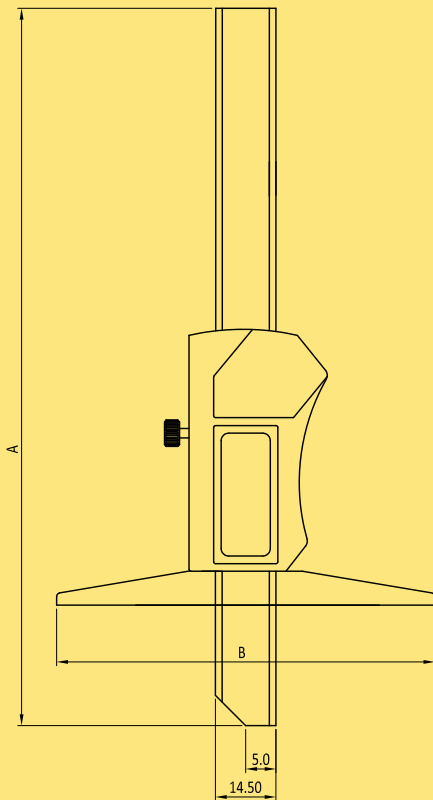


DDC 10

FEATURES

- Rigid STAINLESS STEEL construction
- MM / INCH conversion
- LC : 0.01mm/0.0005 IN
- Large Liquid Crystal Display for good visibility
- Ingress Protection : IP54
- MPE as per DIN EN ISO 13385-2
- Powerful and original lithium battery CR2032
- Working temperature +5°C to +40°C

Type	Reading	Range
DDC 10	0.01mm/0.0005"	0-150 mm/0-6"
DDC 20	0.01mm/0.0005"	0-200 mm/0-8"
DDC 30	0.01mm/0.0005"	0-300 mm/0-12"



TYPE	A	B	DISPLAY WINDOW SIZE
DDC10	232.0	100.0	30.0x11.0
DDC20	285.0	100.0	
DDC30	390.0	150.0	