

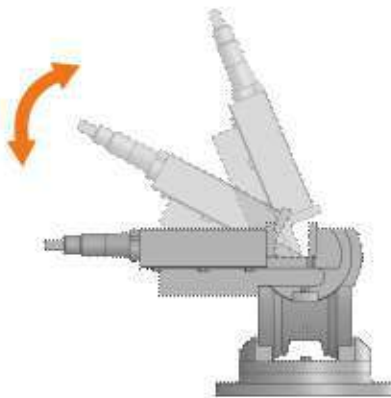


CODE U330

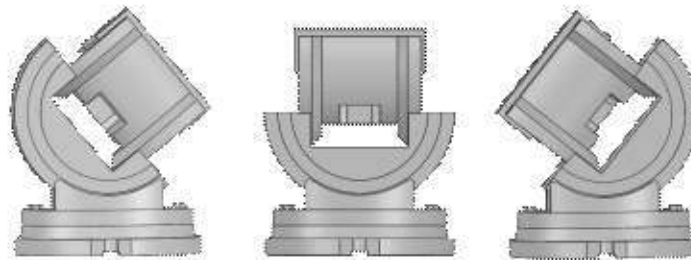
UNIQUE 3 WAY UNIVERSAL TILT & SWIVEL ANGLE VISE

FEATURES

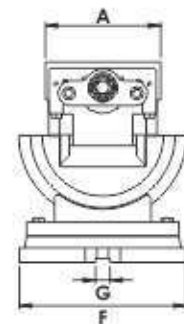
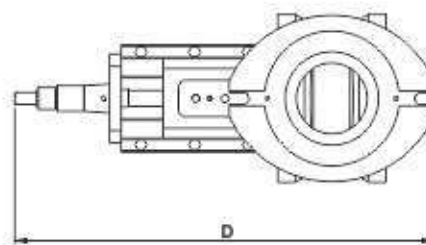
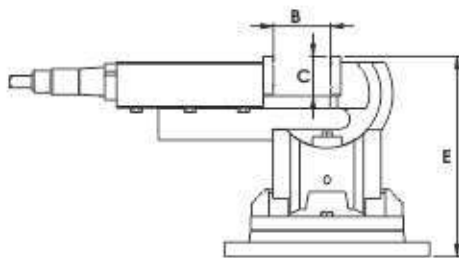
- Vise can be set up at any angle with positive locking.
- Vise body is made from high strength graded cast iron for toughness and rigidity.
- Topmost angled base allows for the workpiece to be held at any angle between and including 0° and 90° in the A axis.
- The middle base can be inclined at any angle between and including positive and negative 45° in the B axis, while being perpendicular to the swivel movement of the topmost base.
- The entire unit can be swivelled on a swivel base, which is fully graduated through 360°.
- Hardened and precision ground jaws with 'V' grooves.
- Quick alignment to machine table through longitudinal slot provided in the swivel base.
- Crank handle is made of unbreakable steel and consists of a spring loaded ball mechanism to provide a positive grip during operations.



A Axis Swivelling Option



B Axis Swivelling Option



| Jaw Width | | Opening | | | | | | Weight (Kgs.) |
|-----------|-----|---------|-----|-----|-----|----|----|---------------|
| A | B | C | D | E | F | G | | |
| 50 | 50 | 24 | 210 | 110 | 105 | 12 | 4 | |
| 75 | 75 | 34 | 275 | 167 | 140 | 12 | 11 | |
| 100 | 100 | 42 | 420 | 220 | 235 | 20 | 34 | |
| 150 | 150 | 55 | 570 | 290 | 280 | 20 | 62 | |

All dimensions in mm