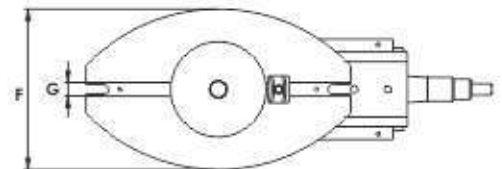
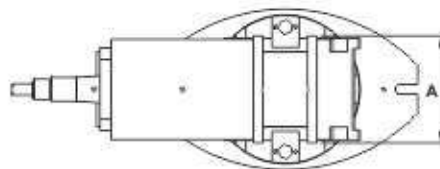
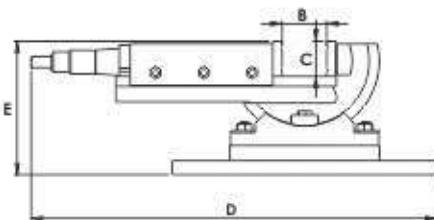
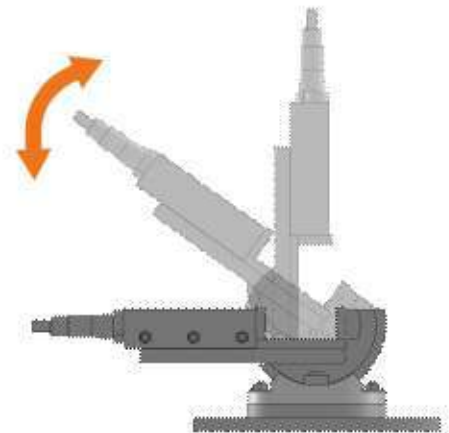


CODE U349 N
UNIQUE PRECISION TILTING & SWIVELLING VISE
J & S TYPE (ENGLAND)



FEATURES

- Horizontal swivel movement 360 degree.
- Vertical swivel movement of 90° in the A rotational axis.
- Positive locking to withstand heavy loads.
- Fitted with thrust bearing for smooth movement and less fatigue.
- High Quality ACME Steel screw.
- Vise body is made from high strength graded cast iron for toughness and rigidity.
- Jaws are made of special steel, which are hardened and precision ground.
- Jaws are provided with one vertical and two horizontal 'V' grooves to hold round jobs rigidly.
- Quick alignment to machine table through longitudinal slot provided in the swivel base.
- Crank handle is made of unbreakable steel and consists of a spring loaded ball mechanism to provide a positive grip during operations.



Jaw Width		Opening						All dimensions in mm
A	B	C	D	E	F	G	Weight (Kgs.)	
50	50	25	210	95	105	16	4	
80	75	38	285	125	140	16	8.5	
100	100	42	370	160	170	16	18	
125	125	50	450	170	228	20	30	
150	150	50	540	195	236	20	44	
200	200	60	640	220	280	20	73	