

CODE U352

UNIQUE UNIVERSAL DIVIDING HEAD

FITTED WITH 150 / 200 MM **SELF CENTERING CHUCK**

FEATURES

- Universal Dividing Head can divide in any angle.
- The ratio between the worm and the worm gear is 40:1
- Hardened and ground spindle is rigidly held in taper roller bearing. Worm is hardened and ground too.
- The swivel head can be locked to any angle from 10° below horizontal to 90° vertical.
- Indexing plates are provided.



MULTIPLE SETUP OPTIONS



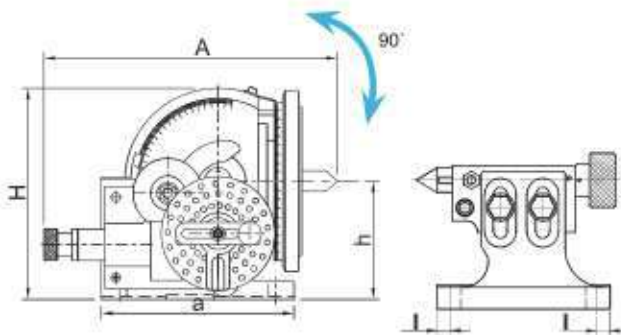
0° Clamping



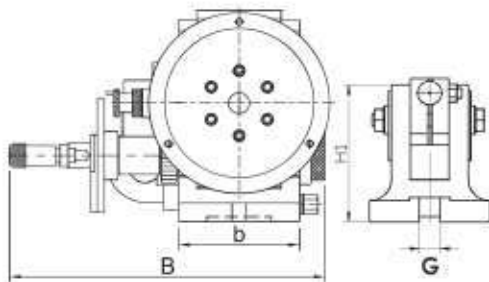
45° Clamping



90° Clamping



Accessories



SIZE IN MM	150	200
A	359	359
B	340	340
H	235	235
l	20	20
a	212	212
b	135	135
g	16	16
h	134	134
Taper of Center	MT-4	MT-4
Spindle Through Hole	25	25