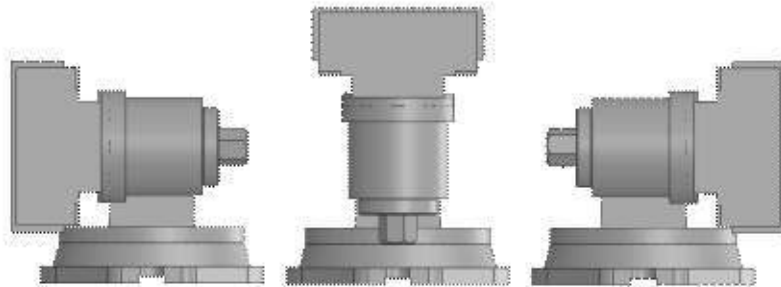


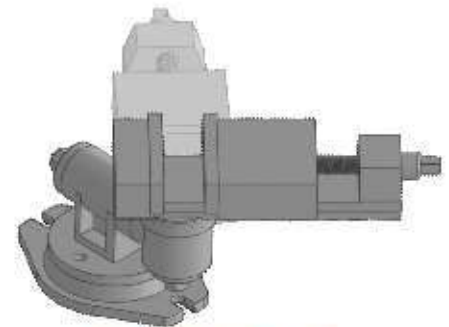
## CODE U313 UNIQUE UNIVERSAL MACHINE VISE FCD 60 BODY

### FEATURES

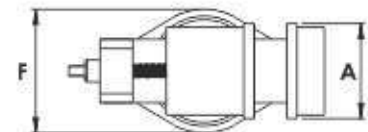
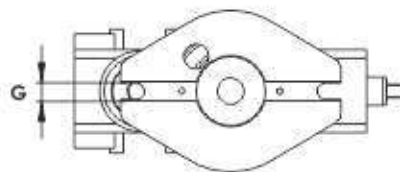
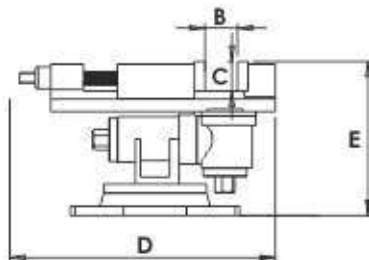
- All swivel movements have positive locking and the job can be locked at any compound angle
- Accurately ground jaws made out of special steel for firm grip.
- High quality FCD 60 vise body.
- Vise bed can be rotated to any angle between  $-90^{\circ}$  &  $+90^{\circ}$  in the B axis.
- The top vise bed can be rotated to any angle between  $0^{\circ}$  &  $360^{\circ}$  in the C axis.
- Quick alignment to machine table through longitudinal slots provided in the swivel base.
- Swivel base is fully graduated through  $360^{\circ}$ .
- Crank handle is made of unbreakable steel and consists of a spring loaded ball mechanism to provide a positive grip during operations.
- Designed for use on Surface, universal tool and cutter grinding machines.



**B Axis Swivelling Option**



**C Axis Swivelling Option**



Jaw Width	Opening	All dimensions in mm					
A	B	C	D	E	F	G	Weight (Kgs.)
50	50	25	168	140	104	12	4.3
75	75	30	240	190	145	12	12
100	65	32	345	175	135	16	12
150	115	40	395	225	220	16	25